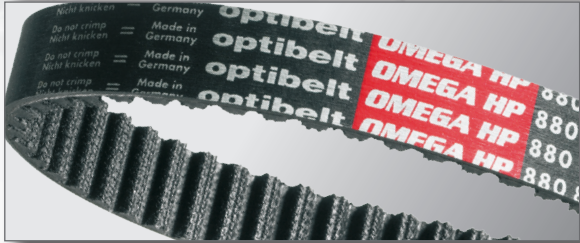




OPTIBELT INDUSTRIAL POWER TRANSMISSION CATALOG

TIMING BELTS



V-BELTS



METAL PRODUCTS





SUPERIOR LENGTH TOLERANCES

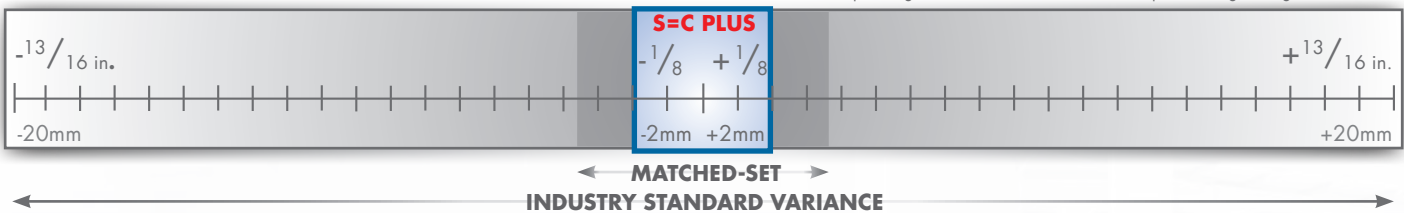


Single V-belts of the same length will vary during manufacturing. This is an issue when running multiple V-belts on one drive because the variances in length will decrease efficiency. Industry matched-set length tolerances were established to identify V-belts with closer tolerances. That meant operations had to order, inventory, and track matched-sets of every size to ensure proper tension.

Optibelt established a higher manufacturing standard called S=C PLUS or Set-Constant. Every S=C Plus labeled V-belt is much closer to equal lengths than any matched-set regardless of the date manufactured. Any single drive running multiple V-belts will run more efficiently simply by using Optibelt S=C PLUS V-belts. No special ordering, inventory or tracking is necessary.

B105 V-BELT EXAMPLE

Example length variances are the same for B profile length ranges 90-144 in.



Industry standard length tolerances for a B105 V-belt will vary + or - 13/16" or more than 1-1/2". OPTIBELT Set-Constant (S=C PLUS) tolerances vary + or - 1/8" or only 1/4" **regardless of the date manufactured.**

WHAT IT MEANS FOR YOU:

- Any of your multiple V-belt drives will consume less power reducing your energy bills.
- Consistent power delivery will reduce drive stress and increase production.
- Reduced maintenance intervals will save replacement costs and valuable production time.

WHAT IS YOUR MULTIPLE?

x2

Drives running 2 single V-belts (on average) will run 2-5% more efficiently using Optibelt S=C PLUS V-belts.

x4

Drives running 4 single V-belts (on average) will run 4-8% more efficiently using Optibelt S=C PLUS V-belts.

Note: Results are averaged, individual results will vary.



VB & SK: High grade synthetic & natural rubber core and fabric wrapped for superior durability and performance.



HVAC POWER: Engineered rubber compound for small diameter pulleys to provide cogged flexibility and power in a durable wrapped V-belt.



RED POWER 3: High-performance fiber rubber with a high-modulus polyester cord that holds tension for more performance, efficiency, and up to 50% more power capacity.



SUPERIOR ENGINEERED PRODUCTS



WHO IS OPTIBELT?

Optibelt is a multinational belt manufacturer that has been in business for over 140 years. Our Engineering and state-of-the-art manufacturing capabilities allow us to supply the highest quality products in the industry.

WAREHOUSE & DISTRIBUTION LOCATIONS

Fast and easy shipping throughout the USA.
South Carolina - Texas - Illinois - California

PRODUCTS

A full range of power transmission belts are available:
V-Belts - Timing - Ribbed - Banded - Cogged - Specialty

WHY CUSTOMERS CHOOSE OPTIBELT

MORE DURABILITY

Customers that have a difficult drive set-up or application where standard belts are over-stressed, products such as optibelt's RED POWER often solves these issues.

GREATER EFFICIENCY

Customers seeking to optimize their facilities will discover Optibelt's superior wear resistance and high power transfer capacity will reduce their yearly costs.

REDUCED MAINTENANCE

When customers are looking to reduce downtime or overall maintenance costs, Optibelt offers the only maintenance-free belt in the industry: RED POWER 3.

OPTIBELT'S INDUSTRY LEADING ADVANTAGES

S=C PLUS (Set-Constant)

Superior than industry standards for a matched-set. Any two S=C Plus V-belts are always a matched set regardless of when they were manufactured.

CUT TO SIZE WIDTHS

Customers get greater flexibility when they are ordering banded, timing or ribbed belts. Every Optibelt facility cuts belts to size so there is no wait for custom orders from the factory.

METRIC SIZES

Optibelt's international presence make us the leading supplier of metric belts in the world.

HVAC POWER

Specific HVAC engineered V-belts can withstand extreme temperatures, extend maintenance intervals, are very flexible, and have S=C Plus length tolerances.

BLUE POWER: Aramid Cord

BLUE POWER V-belts are the strongest available for heavy industrial applications and their high-grip cover is dual wrapped for increased durability.

RED POWER: Maintenance-Free

RED POWER 3 is the only maintenance-free belt. The cord is made with a custom polymer that keeps the belt tensioned throughout its life.

RED POWER belts also offer up to a 50% increase in power transfer capacity, are dual wrapped cover for dramatically longer belt life, and have S=C Plus length tolerances.

USA

ILLINOIS (HEADQUARTERS)

565 E. Fullerton Ave.
Carol Stream, IL 60188

T 800-292-6081

F 630-871-4280

SOUTH CAROLINA

105 Ben Hamby Rd., Unit F
Greenville, South Carolina 29615

T 864-328-0285

F 864-288-5999

TEXAS

1225 E. Crosby Rd., B14
Carrollton, TX 75006

T 972-591-2258

F 972-242-1051

CALIFORNIA

10911 Painter Ave.
Santa Fe Springs, CA 90670

T 562-781-7102

F 562-941-5049

CANADA

Mississauga

3600 Ridgeway Dr.
Unit 3
Mississauga, Ontario L5L 0B4

T 905-608-0101

F 905-608-2302

E info@optibelt.ca

MEXICO

Avenida 5 de Febrero 1702-C,
Bodega 5, Zona Industrial Benito Juarez
76120 Santiago De Queretaro

T +52 442-210-3741

E info@optibelt.mx

BRAZIL

Rua das Castanheiras No. 200
Galpao No. 84
CEP -13187-065 Jd. Sao Pedro,
Hortolândia, SP

T +55 (11) 3804-4854

E optibeldobrasil@optibelt.com

COLOMBIA

Calle 67 #7-35 Of. 609
Edificio Plaza 67
Bogota-Colombia

T +57 (1) 321-7991

E latin-info@optibelt.com



OPTIBELT-USA.COM

TOLL FREE: 800-292-6081

E-MAIL: info@optibelt-usa.com



ABOUT US

Optibelt is part of the Arntz Optibelt Group which is a global belt manufacturer that has been in business for over 140 years. The Arntz Optibelt Group has operations, manufacturing and distribution facilities located around the world. It is headquartered in Hötter Germany which also has engineering, testing, and R&D facilities.

The Arntz Optibelt Group is one of the world's largest manufacturers of high quality power transmission drives producing products for Industrial Power Transmission, Automotive, Material Handling, Elastomer Applications and more.

Optibelt USA supplies customers in North & South America.

LOCATIONS:

USA

565 E. Fullerton Ave., Carol Stream, IL 60188

Phone: 800-292-6081 Fax: 630-871-4280

E-Mail: info@optibelt-usa.com

Warehouse and distribution facilities are located in:

South Carolina - Texas - Illinois - California

CANADA

3600 Ridgeway Dr. Unit 3

Mississauga, Ontario/Canada L5L 0B4

Phone: 905-608-0101 Fax: 905-608-2302

E-Mail: info@optibelt.ca

MEXICO

Avenida 5 de Febrero 1702-C,

Bodega 5, Zona Industrial Benito Juarez

76120 Santiago De Queretaro, Mexico

Phone: +52 442-210-3741

E-Mail: info@optibelt.mx

BRAZIL

Rua das Castanheiras No. 200 Galpao No. 84

CEP -13187-065 Jd. Sao Pedro, Hortolândia, SP

Brazil

Phone: +55 (11) 3804-4854

E-Mail: optibeltbrasil@optibelt.com

COLOMBIA

Calle 67 #7-35 Of. 609

Edificio Plaza 67

Bogota-Columbia

Phone: +57 (1) 321-7991

E-Mail: latin-info@optibelt.com

PRODUCTS

The Arntz Optibelt group invests in Engineering and Manufacturing processes and technology. This makes us the leader in quality, innovative and durable products that set the standard for the power transmission industry. These innovations include:

S=C PLUS (Set-Constant)

Superior to industry standards for a matched-set. Any two S=C Plus V-belts are always superior to a matched-set regardless of the date manufactured. NOTE: Standard on all Optibelt single V-belts and Wedge belts 47" in length and above. (N.A. aramid cord belts)

CUT TO SIZE WIDTHS

Customers get greater flexibility when they are ordering banded, timing or ribbed belts. Every Optibelt facility cuts belts to size so there is no wait for custom orders from the factory.

METRIC SIZES

Optibelt's international presence make us the leading supplier of metric belts in the world.

HVAC POWER

Specific HVAC engineered V-belts can withstand extreme temperatures, extend maintenance intervals, are very flexible, and have S=C Plus length tolerances.

BLUE POWER: Aramid Cord

BLUE POWER V-belts are the strongest available for heavy industrial applications and their high-grip cover is dual wrapped for increased durability.

RED POWER: Maintenance-Free

RED POWER 3 is the only maintenance-free belt. The cord is made with a custom polymer that keeps the belt tensioned throughout its life.

RED POWER belts also offer up to a 50% increase in power transfer capacity, a transverse fiber core, and a dual wrapped cover for dramatically longer belt life.

ADVANTAGES

MORE DURABILITY

Customers that have a difficult drive set-up or application where standard belts are over-stressed, products such as Optibelt's RED POWER 3 often solves these issues.

GREATER EFFICIENCY

Customers seeking to optimize their facilities will discover Optibelt's superior wear resistance and high power transfer capacity will reduce yearly costs.

REDUCED MAINTENANCE

When customers are looking to reduce downtime or overall maintenance costs, Optibelt offers the only maintenance-free belt in the industry: RED POWER 3.

REDUCED COSTS

Optibelt's superior manufacturing processes ensure every belt has the quality built-in to increase performance & durability and can reduce maintenance, replacement and energy costs.

LOCAL AVAILABILITY

4 warehouses strategically located throughout North America.

ENGINEERING SERVICES

CAP PROGRAM

Optibelt offers customers the ability to use our free drive calculation and optimization software tools. No matter if you are designing a motor/drive system or trouble-shooting issues, Optibelt's CAP program can help.

SUPPORT & DESIGN

Optibelt can work with your company to design, produce and manufacture belts that meet a wide variety of needs. Our engineering department assists many of the top OEM's to develop solutions that help produce products that are more compact and deliver the power and performance customers demand.

Contact an Optibelt representative for more information.



TABLE OF CONTENTS

PAGE	PRODUCT
• PAGE	PROFILE/PITCH: SIZES

V-BELTS

4 PRODUCT INFORMATION

V-BELTS, SINGLE

8 CLASSICAL

- 8 PROFILES: A
- 9 PROFILES: B
- 10 PROFILES: C

11 STANDARD

- 11 PROFILES: 3V, 5V, 8V

12 FRACTIONAL HORSEPOWER

- 12 PROFILES: 3L, 4L(A)
- 13 PROFILES: 5L(B)

14 METRIC

- 14 PROFILES: 5X, 6X, 8X, 10X
- 15 PROFILES: 10X, SPZ
- 16 PROFILES: SPA
- 17 PROFILES: SPB, SPC

V-BELTS, COGGED

18 CLASSICAL

- 18 SECTIONS: AX, BX
- 19 SECTIONS: CX

19 STANDARD

- 19 SECTIONS: 3VX, 5VX

20 METRIC

- 20 SECTIONS: XPZ, XPA
- 21 SECTIONS: XPA, XPB, XPC

V-BELTS, BANDED

22 CLASSICAL

- 22 SECTIONS: B, C, D

23 STANDARD

- 23 SECTIONS: 3V, 5V, 8V

24 METRIC

- 24 SECTIONS: SPZ, SPA, SPB, SPC

V-BELTS, COGGED BANDED

25 CLASSICAL

- 25 SECTIONS: BX

25 STANDARD

- 25 SECTIONS: 3VX, 5VX

SPECIALTY

26 VARIO POWER VARIABLE SPEED

- 26 IMPERIAL SIZES (US STD.)
- 27 METRIC SIZES

Sizes continued...

28 DK V-BELTS, DOUBLE SIDED

29 KK & RR URETHANE ROUND & V-BELTS

30 WR WIDE ANGLE V-BELTS

31 OPTIMAT OE, DK & FK

OPEN-ENDED V-BELTS

32 PKR CONVEYOR V-BELTS

33 CONVEYOR POWER V-BELTS

RIBBED BELTS

- 34 SECTIONS: J/PJ

- 35 SECTIONS: L/PL, M/PM

TIMING BELTS

36 PRODUCT INFORMATION

38 TIMING BELTS, DELTA CHAIN & PULLEYS

42 TIMING BELTS, RUBBER

- 42 PITCH: 2M

- 43 PITCH: 3M

- 45 PITCH: 5M

- 47 PITCH: 8M

- 51 PITCH: 14M

53 SPECIALTY TIMING BELTS

- 53 OMEGA, DOUBLE-SIDED

- 53 STD

- 53 HTD

54 TIMING BELTS, NEOPRENE

- 54 PITCH: MXL

- 56 PITCH: XL

- 60 PITCH: L

- 62 PITCH: H

- 66 PITCH: XH

- 67 PITCH: XXH

- 68 PITCH: DXL, DL (DOUBLE-SIDED)

- 69 PITCH: DH

70 PRODUCT INFORMATION

71 TIMING BELTS, POLYURETHANE

- 71 PITCH: T2.5

- 73 PITCH: T5

- 77 PITCH: T10

- 81 PITCH: AT5

- 83 PITCH: AT10

- 85 PITCH: DT5

- 87 PITCH: DT10

Sizes continued...



TABLE OF CONTENTS

PAGE	PRODUCT
• PAGE	PROFILE/PITCH: SIZES

TIMING BELTS

- 89 PITCH: XL (TORQUE ONLY)
- 91 PITCH: L (TORQUE ONLY)
- 92 PITCH: T5, T10, T20 (FLEX ONLY)
- 93 PITCH: AT5, AT10, AT20 (FLEX ONLY)
- 94 PITCH: 5M, 8M (FLEX ONLY)
- 95 PITCH: 14M (FLEX ONLY)

96 TIMING BELTS, POLYURETHANE LINEAR

- 96 PITCH: XL, L, H, XH
- 97 PITCH: 5M, 8M, 14M
- 98 PITCH: T5, T10, T20
- 99 PITCH: AT5, AT10, AT20

100 TIMING BELTS, ZR OPEN-ENDED

- 100 PITCH: XL, L, H
- 101 PITCH: 3M, 5M, 8M, 14M

LINEAR TIMING, CLAMPING PLATES

102 LINEAR TIMING, CLAMPING PLATES

- 102 PITCH: XL, L, H, 5M, 8M
- 103 PITCH: 14M, T5, T10, T20

METAL PRODUCTS

104 TB SHEAVES, METRIC

- 104 PROFILES: SPZ
- 105 PROFILES: SPA
- 106 PROFILES: SPA, SPB
- 108 PROFILES: SPC

109 DST SHEAVES, CLASSICAL

- 109 PROFILES: A, B

110 QD SHEAVES, CLASSICAL

- 110 PROFILES: B
- 114 PROFILES: C

118 QD SHEAVES, STANDARD

- 118 PROFILES: 3V
- 121 PROFILES: 5V
- 124 PROFILES: 5V, 8V
- 125 PROFILES: 8V

126 MPB SHEAVES, CLASSICAL

- 126 PROFILES: A
- 130 PROFILES: B

Sizes continued...

135 TB TIMING PULLEYS

- 135 PROFILES: 5M, 8M
- 136 PROFILES: 14M
- 137 PROFILES: L
- 138 PROFILES: H

139 MPB TIMING PULLEYS

- 139 PROFILES: 3M
- 141 PROFILES: 5M
- 143 PROFILES: 8M
- 146 PROFILES: 14M
- 150 PROFILES: T2.5, T5
- 151 PROFILES: T10
- 152 PROFILES: AT5
- 153 PROFILES: AT10

154 TB BUSHINGS

- 154 PROFILES: U.S. STANDARD
- 155 PROFILES: METRIC & DST

156 QD BORES

- 156 PROFILES: U.S. STANDARD
- 157 PROFILES: METRIC

158 SHAFT DIAMETERS & KEYS SIZES

159 BORE CAPACITIES

160 QD SHEAVE SPECIFICATIONS

161 TB INSTALLATION INSTRUCTIONS

162 QD INSTALLATION INSTRUCTIONS

MAINTENANCE

163 TECH TOOLS

164 TENSION GUIDE

165 INSTALLATION & STORAGE

SERVICE SOLUTIONS

166 V-BELTS

168 RIBBED BELTS

170 TIMING BELTS

173 DRIVES & SHEAVES

REFERENCE

176 BELT CONVERSION TABLES

180 PROFILE & SECTIONS DIMENSIONS

182 PRODUCT SELECTION GUIDE

186 TERMINOLOGY

188 DRIVE CALCULATION FORM



V-BELTS

V-BELT PRODUCT INFORMATION

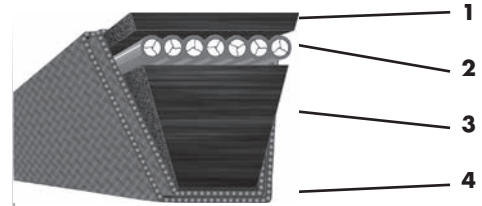
Optibelt BLUE POWER

BANDED V-BELTS, ARAMID CORD

The ultimate in power transmission capabilities in heavy industrial applications. The aramid cord gives it more than twice the power transfer capacity of conventional belts. Aramid cord is not the only thing that makes BLUE POWER stand out from other belts. It also features a dual wrapped cover, aligned fiber core and much more. Available in single or banded sizes.

- **More Power:** Capable of transferring up to 2X more power than conventional belts which makes it ideal for heavy industry applications.
- **Increased Life:** Rubber impregnated dual fabric wrap is bonded with the belt's core for superior durability.
- **Greater Efficiency:** The belt's fabric wrap increases the belts ability to grip in the sheave.
- **Temperature Range:** Increased operational range from -22 to 212°F.
- **Anti-static:** Meets ISO 1813 requirements for being anti-static.
- **Back-bend:** Flex range accommodates difficult idler stress.

PROFILES: 5V, 8V SPB, SPC



- 1 transverse fiber polychloroprene top layer
- 2 aramid tension cord
- 3 transverse fiber polychloroprene core
- 4 dual wrapped, abrasion-resistant cover fabric

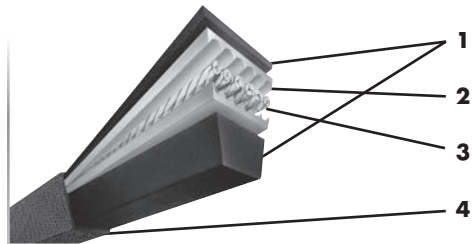
Optibelt HVAC POWER

V-BELTS, HIGH PERFORMANCE FRACTIONAL HORSEPOWER

Specifically engineered to meet the demands of HVAC motors and drives.

- **Highly Flexible:** Engineered flexibility to fit a wide variety of small variable pitch adjustable motor pulleys.
- **Increased Life:** Rubber impregnated dual fabric wrap is bonded with the belt's core for superior durability.
- **More Efficient:** Premium low stretch cord ensures better contact throughout the belts life.
- **Temperature Range:** Increased operational range from -22 to 212°F.
- **Low Noise:** Belt fabric wrap reduces noise often attributed to the use of raw edge belts.
- **Matched-Sets:** Features Optibelt's S=C Plus manufacturing tolerances.

PROFILES: A/4L, B/5L



- 1 polychloroprene top layer & core
- 2 flexible cord binding/bedding compound
- 3 low-stretch polyester cord
- 4 dual wrapped, abrasion-resistant cover fabric

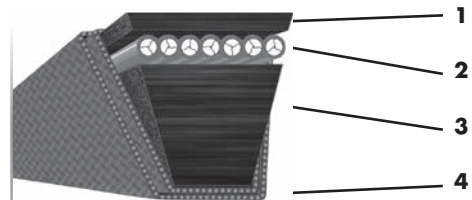
Optibelt RED POWER 3

V-BELTS, HIGH PERFORMANCE, NO-MAINTENANCE

A revolutionary belt that requires no tension maintenance throughout its lifetime, is more resistant to wear, and transfers up to 50% more power than conventional belts. This means you will get more value and performance than ever thought was possible.

- **No-Maintenance:** No re-tensioning required throughout the life of the belt.
- **More Power:** Capable of transferring up to 50% more power than conventional belts.
- **Matched-Sets:** Features Optibelt's S=C Plus manufacturing tolerances.
- **Shock Resistant:** Dampening qualities make it perfect for shock load applications.
- **Increased Life:** Rubber impregnated dual fabric wrap is bonded with the belt's core for superior durability.
- **Greater Efficiency:** Up to 97% efficient at transferring power.
- **Temperature Range:** Increased operational range from -22 to 212°F.
- **Anti-static:** Meets ISO 1813 requirements for being anti-static.
- **Back-bend:** Flex range accommodates difficult idler stress.

PROFILES: A, B 3V, 5V, 8V SPZ, SPA, SPB, SPC



- 1 transverse fiber polychloroprene top layer
- 2 polyester tension cord, maintenance-free
- 3 transverse fiber polychloroprene core
- 4 dual wrapped, abrasion-resistant cover fabric



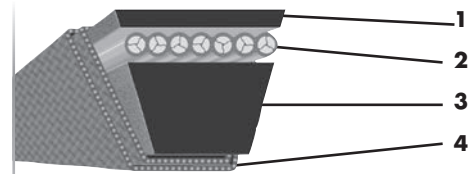
Optibelt VB

V-BELTS, CLASSICAL PROFILES

The classic among drive belts due to its universal use in industrial applications. Optibelt's superior construction and manufacturing processes make the VB a high quality choice for companies looking for superior performance and lower maintenance costs over standard belts.

- **Reliable:** Superior resistance to stretching and premature wear.
- **Increased Life:** Rubber impregnated fabric wrapped to bond with the belt's core material for superior durability.
- **Greater Efficiency:** The belt's fabric wrap increases the belts ability to grip in the sheave.
- **Matched-Sets:** Features Optibelt's S=C Plus manufacturing tolerances.
- **Temperature Range:** Increased operational range from -40 to 158°F.

PROFILES: A, B, C, D, E 5, 6, 8, 10



- 1 SBR/NR top layer
- 2 polyester tension cord
- 3 SBR/NR core rubber compound
- 4 dual rubber impregnated cover fabric

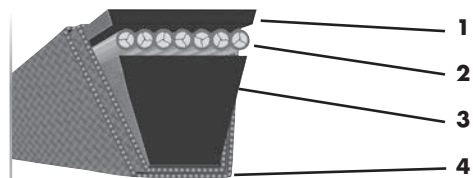
Optibelt SK

V-BELTS, METRIC & STANDARD PROFILES

The standard for industrial applications with Optibelt's superior construction and manufacturing processes. The SK is the preferred choice over standard low-cost only options for superior performance and lower maintenance costs.

- **Reliable:** Superior resistance to stretching and premature wear.
- **Increased Life:** Rubber impregnated dual fabric wrapped bonded with the belt's core for superior durability.
- **Greater Efficiency:** The belt's fabric wrap increases the belts ability to grip in the sheave.
- **Matched-Sets:** Features Optibelt's S=C Plus manufacturing tolerances.
- **Temperature Range:** Increased operational range from -40 to 158°F.

PROFILES: 3V, 5V, 8V SPZ, SPA, SPB, SPC



- 1 SBR/NR top layer
- 2 polyester tension cord
- 3 SBR/NR core rubber compound
- 4 dual rubber impregnated cover fabric

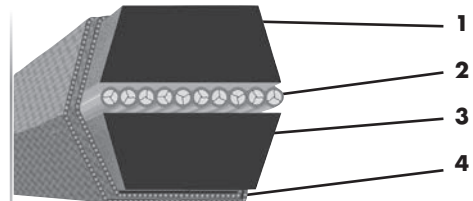
Optibelt DK

V-BELTS, DOUBLE SIDED

Dual sided V-belts for multiple pulley applications. Its engineered construction and quality ensures superior performance and durability.

- **Reliable:** Superior resistance to stretching and premature wear.
- **Increased Life:** Rubber impregnated dual fabric wrapped bonded with the belt's core for superior durability.
- **Greater Efficiency:** The belt's fabric wrap increases the belts ability to grip in the sheave.
- **Temperature Range:** Increased operational range from -33 to 185°F.

PROFILES: AA, BB, CC



- 1 top transverse fiber polychloroprene core
- 2 polyester tension cord
- 3 bottom transverse fiber polychloroprene core
- 4 dual rubber impregnated cover fabric

Optibelt LD

V-BELTS, FRACTIONAL HORSEPOWER

Application specific belts for fractional horsepower (less than 1 hp) drives with small sheave diameters. Typical applications include:

- **Washers & dryers**
- **Workshop power tools**
- **HVAC fans & blowers**

PROFILES: 3L, 4L/A, 5L/B

ALSO SEE:
HVAC POWER
FOR INCREASED DURABILITY,
PERFORMANCE &
YEARLY COST SAVINGS



PRODUCT RANGE

COGGED V-BELTS & RIBBED

V-BELT
PRODUCTS

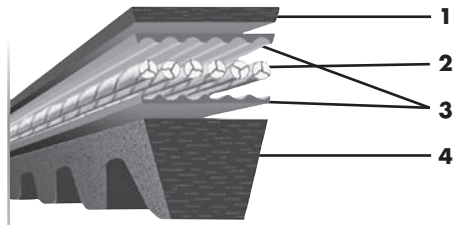
Optibelt SUPER X-POWER

COGGED V-BELTS, STANDARD & METRIC PROFILES

The high performance solution for cogged belt applications. It is constructed using Optibelt's superior transverse fiber core compound, low stretch polyester cord, and cord stabilizing cushion compound. Available in single or banded sizes.

- **High Performance:** Improves performance 15% over standard raw edged cogged belts.
- **Greater Efficiency:** Low-stretch cords resist stretching for improved efficiency and less maintenance.
- **Temperature Range:** Increased operational range from -20 to 194°F.
- **Matched-Sets (M=5):** Closer than industry matched-set length tolerances.

PROFILES: 3VX, 5VX XPZ, XPA, XPB, XPC



- 1 transverse fiber polychloroprene top layer
- 2 low-stretch polyester tension cord
- 3 cushion & binding compound
- 4 transverse fiber polychloroprene core

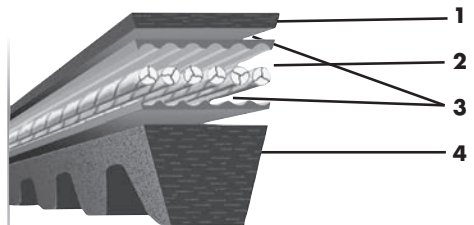
Optibelt SUPER TX

COGGED V-BELTS, CLASSICAL PROFILES

Advanced construction features such as superior transverse fiber core compound and cushioned cord stabilization compound makes it a superior choice. Available in single or banded sizes.

- **Temperature Range:** Increased operational range from -20 to 194°F.
- **Matched-Sets (M=5):** Closer than industry matched-set length tolerances.

PROFILES: AX, BX, CX



- 1 polychloroprene top layer
- 2 polyester tension cord
- 3 flexible cord binding/bedding compound
- 4 polychloroprene core

Optibelt VARIO POWER

VARIABLE SPEED BELTS

These performance belts are engineered to withstand the demands of high capacity drives and extend maintenance intervals.

ADDITIONAL INFORMATION PG. 26



Optibelt RB

RIBBED BELTS

RB belts are made from Optibelt's superior wear-resistant rubber compound blend. The high strength tension cord is engineered for long-lasting performance and quiet operation.

- **Shock Resistant:** Capable of resisting short-term overloads to protect machinery.
- **Oil Resistant:** Superior rubber compound resists oil absorption.
- **Temperature Range:** Increased operational range from -20 to 194°F.
- **Low Noise:** Runs quieter and resist vibration.
- **Versatile:** Can run with back-bend idler and in serpentine drives.
- **High Performance:** Provides a greater friction surface to transfer more power than conventional ribbed belts.

PROFILES: H/PH, J/PJ, K/PK, L/PL, M/PM





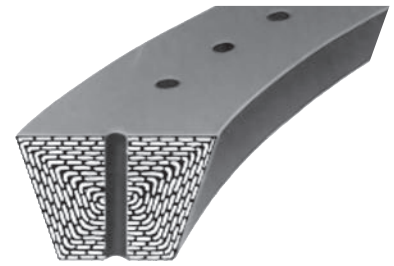
Optibelt OE OPTIMAT

OPEN-ENDED V-BELTING, PUNCHED

This oil and heat resistant open-ended V-beltting can be fitted quickly. Easy to use belt connectors ensure ease of installation.

- **Quick and Easy:** Simple to use connectors
- **Strength:** Fabric filled core provides additional belt and connector strength.
- **US Standard Profiles Available:** A, B, C, D, E
- **Metric Standard Profiles Available:** 6, 8, 10, 20, 25

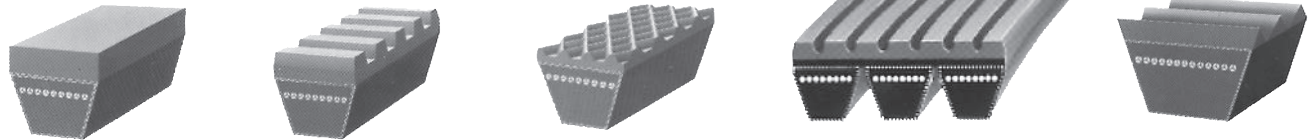
PROFILES: A, B, C, D, E 6, 8, 10, 20, 25



Optibelt PKR

SPECIAL TOP SURFACED BELTS

Application specific belts typically used for the transportation of food, or materials. Available in a wide range of top surfaces. Contact an Optibelt representative for more information.



Optibelt KK V-BELT RR ROUND

PLASTIC BELTS

Application specific belts typically used in small applications such as electronic equipment, appliances, and harsh environments such as oil and static exposure. KK belts can also be manufactured with specialized backings. Contact an Optibelt representative for more information.



CUSTOM OPTIONS

PKR OPTIMAT, KK & RR have a wide variety of options available for specialized applications. Contact an Optibelt distributor or representative for further information.

Optibelt CONVEYOR POWER VB

Conveyor Power V-belts are engineered to power rollers in linear and curved applications. These belts are engineered for superior performance that lasts far longer than off-the-shelf transmission belts.

- Long length B Profile V-belts
- High-flex cords reduce heat and flex fatigue.
- Rubber compound flexes for curved conveyors
- Durable low dust cover keeps facilities cleaner.
- Operational temperature range -22°F to +158°F.





CLASSICAL V-BELTS

A PROFILES

S=C PLUS ALWAYS MATCHED LENGTH TOLERANCES

SINGLE V-BELTS
CLASSICAL

A CLASSICAL PROFILE V-BELTS

PART NUMBER	AVAILABLE BELT TYPES		OUTSIDE LENGTH (IN)	WEIGHT (LBS)	PART NUMBER	AVAILABLE BELT TYPES		OUTSIDE LENGTH (IN)	WEIGHT (LBS)	PART NUMBER	AVAILABLE BELT TYPES		OUTSIDE LENGTH (IN)	WEIGHT (LBS)	PART NUMBER	AVAILABLE BELT TYPES		OUTSIDE LENGTH (IN)	WEIGHT (LBS)	
A18	VB	HVAC	20	0.12	A50	VB	HVAC	52	0.31	A82	VB	RP	84	0.50	A102	VB	RP	104	0.62	
A19	VB	HVAC	21	0.13	A51	VB	HVAC	53	0.32	A83	VB	RP	85	0.51	A103	VB	RP	105	0.63	
A20	VB	HVAC	22	0.13	A52	VB	RP	54	0.32	A84	VB	RP	86	0.52	A105	VB	RP	107	0.64	
A21	VB	HVAC	23	0.14	A53	VB	RP	55	0.33	A85	VB	RP	87	0.52	A110	VB	RP	112	0.67	
A22	VB	HVAC	24	0.14	A54	VB	RP	56	0.34	A86	VB	RP	88	0.53	A112	VB	RP	114	0.68	
A23	VB	HVAC	25	0.15	A55	VB	RP	57	0.34	A87	VB	RP	89	0.53	A114	VB	RP	116	0.70	
A24	VB	HVAC	26	0.16	A56	VB	RP	58	0.35	A88	VB	RP	90	0.54	A115	VB	RP	117	0.71	
A25	VB	HVAC	27	0.16	A57	VB	RP	59	0.35	A89	VB	RP	91	0.55	A120	VB	RP	122	0.73	
A26	VB	HVAC	28	0.17	A58	VB	RP	60	0.36	A90	VB	RP	92	0.55	A124	VB	RP	126	0.76	
A27	VB	HVAC	29	0.17	A59	VB	RP	61	0.37	A91	VB	RP	93	0.56	A125	VB	RP	127	0.76	
A28	VB	HVAC	30	0.18	A60	VB	RP	62	0.37	A92	VB	RP	94	0.56	A128	VB	RP	130	0.78	
A29	VB	HVAC	31	0.19	A61	VB	RP	63	0.38	A93	VB	RP	95	0.57	A133	VB	RP	135	0.81	
A30	VB	HVAC	32	0.19	A62	VB	RP	64	0.38	A94	VB	RP	96	0.58	A136	VB	RP	138	0.83	
A31	VB	HVAC	33	0.20	A63	VB	RP	65	0.39	A95	VB	RP	97	0.58	A140	VB	RP	142	0.85	
A32	VB	HVAC	34	0.20	A64	VB	RP	66	0.40	A96	VB	RP	98	0.59	A144	VB	RP	146	0.88	
A33	VB	HVAC	35	0.21	A65	VB	RP	67	0.40	A97	VB	RP	99	0.59	A155	VB	RP	157	0.94	
A34	VB	HVAC	36	0.22	A66	VB	RP	68	0.41	A98	VB	RP	100	0.60	A158	VB	RP	160	0.96	
A35	VB	HVAC	37	0.22	A67	VB	RP	69	0.41	A99	VB	RP	101	0.61	A173	VB	RP	175	1.05	
A36	VB	HVAC	38	0.23	A68	VB	RP	70	0.42	A100	VB	RP	102	0.61	A180	VB	RP	182	1.09	
A37	VB	HVAC	39	0.23	A69	VB	RP	71	0.43	A101	VB	RP	103	0.62						
A38	VB	HVAC	40	0.24	A70	VB	RP	72	0.43											
A39	VB	HVAC	41	0.25	A71	VB	RP	73	0.44											
A40	VB	HVAC	42	0.25	A72	VB	RP	74	0.44											
A41	VB	HVAC	43	0.26	A73	VB	RP	75	0.45											
A42	VB	HVAC	44	0.26	A74	VB	RP	76	0.46											
A43	VB	HVAC	45	0.27	A75	VB	RP	77	0.46											
A44	VB	HVAC	46	0.28	A76	VB	RP	78	0.47											
A45	VB	HVAC	47	0.28	A77	VB	RP	79	0.47											
A46	VB	HVAC	48	0.29	A78	VB	RP	80	0.48											
A47	VB	HVAC	49	0.29	A79	VB	RP	81	0.49											
A48	VB	HVAC	50	0.30	A80	VB	RP	82	0.49											
A49	VB	HVAC	51	0.31	A81	VB	RP	83	0.50											

AVAILABLE V-BELT CONSTRUCTION TYPES

- VB** VB STANDARD V-BELT CONSTRUCTION
- RP** RED POWER HIGH PERFORMANCE w/IMPROVED EFFICIENCY, HIGHER POWER CAPACITY, and NO RE-TENSION MAINTENANCE
- HVAC** HVAC POWER HIGH PERFORMANCE FRACTIONAL HORSEPOWER BELT for GREATER DURABILITY and PERFORMANCE

ORDERING EXAMPLES:

- A36** VB, 36" length
- ARP140** RED POWER, 140" length
- A36HVAC** HVAC POWER, 36" length.

Contact an Optibelt representative regarding additional sizes, stock availability and pricing.

All weights are estimated.

Additional sizes and stocking available.

Custom Sizes & Ordering

Section / Max. Mfg Lengths / Min. qty.

- A / 394 in. (10,000 mm) / 31

Contact customer service for details.

S=C Length Tolerances

Standard on all Optibelt single V-belts and Wedge belts 47" in length and above. S=C Plus V-belts are always superior to a matched-set regardless of the date manufactured. Not available on aramid cord, banded or cogged belts.



SINGLE V-BELTS
CLASSICAL

B CLASSICAL PROFILE V-BELTS

PART NUMBER	AVAILABLE BELT TYPES	OUTSIDE LENGTH (IN)	WEIGHT (LBS)	PART NUMBER	AVAILABLE BELT TYPES	OUTSIDE LENGTH (IN)	WEIGHT (LBS)	PART NUMBER	AVAILABLE BELT TYPES	OUTSIDE LENGTH (IN)	WEIGHT (LBS)	PART NUMBER	AVAILABLE BELT TYPES	OUTSIDE LENGTH (IN)	WEIGHT (LBS)	
B23	VB	HVAC	26	0.29	B64	VB RP	67	0.74	B104	VB RP	107	1.18	B148	VB RP	151	1.66
B24	VB	HVAC	27	0.30	B65	VB RP	68	0.75	B105	VB RP	108	1.19	B150	VB RP	153	1.68
B25	VB	HVAC	28	0.31	B66	VB RP	69	0.76	B106	VB RP	109	1.20	B152	VB RP	155	1.71
B26	VB	HVAC	29	0.32	B67	VB RP	70	0.77	B108	VB RP	111	1.22	B153	VB RP	156	1.72
B27	VB	HVAC	30	0.33	B68	VB RP	71	0.78	B109	VB RP	112	1.23	B154	VB RP	157	1.73
B28	VB	HVAC	31	0.34	B69	VB RP	72	0.79	B110	VB RP	113	1.24	B156	VB RP	159	1.75
B29	VB	HVAC	32	0.35	B70	VB RP	73	0.80	B111	VB RP	114	1.25	B158	VB RP	161	1.77
B30	VB	HVAC	33	0.36	B71	VB RP	74	0.81	B112	VB RP	115	1.27	B160	VB RP	163	1.79
B32	VB	HVAC	35	0.39	B72	VB RP	75	0.83	B113	VB RP	116	1.28	B162	VB RP	165	1.82
B33	VB	HVAC	36	0.40	B73	VB RP	76	0.84	B114	VB RP	117	1.29	B173	VB RP	176	1.94
B34	VB	HVAC	37	0.41	B74	VB RP	77	0.85	B115	VB RP	118	1.30	B180	VB RP	183	2.01
B35	VB	HVAC	38	0.42	B75	VB RP	78	0.86	B116	VB RP	119	1.31	B184	VB RP	187	2.06
B36	VB	HVAC	39	0.43	B76	VB RP	79	0.87	B118	VB RP	121	1.33	B188	VB RP	191	2.10
B37	VB	HVAC	40	0.44	B77	VB RP	80	0.88	B120	VB RP	123	1.35	B190	VB RP	193	2.12
B38	VB	HVAC	41	0.45	B78	VB RP	81	0.89	B123	VB RP	126	1.39	B195	VB RP	198	2.18
B39	VB	HVAC	42	0.46	B79	VB RP	82	0.90	B124	VB RP	127	1.40	B199	VB RP	202	2.22
B40	VB	HVAC	43	0.47	B80	VB RP	83	0.91	B126	VB RP	129	1.42	B205	VB RP	208	2.29
B41	VB	HVAC	44	0.48	B81	VB RP	84	0.92	B128	VB RP	131	1.44	B210	VB RP	213	2.34
B42	VB	HVAC	45	0.50	B82	VB RP	85	0.94	B130	VB RP	133	1.46	B221	VB RP	224	2.46
B43	VB	HVAC	46	0.51	B83	VB RP	86	0.95	B131	VB RP	134	1.47	B225	VB RP	228	2.51
B44	VB	HVAC	47	0.52	B84	VB RP	87	0.96	B132	VB RP	135	1.49	B230	VB RP	233	2.56
B45	VB	HVAC	48	0.53	B85	VB RP	88	0.97	B133	VB RP	136	1.50	B236	VB RP	239	2.63
B46	VB	HVAC	49	0.54	B86	VB RP	89	0.98	B135	VB RP	138	1.52	B240	VB RP	243	2.67
B47	VB	HVAC	50	0.55	B87	VB RP	90	0.99	B136	VB RP	139	1.53	B255	VB RP	258	2.84
B48	VB	HVAC	51	0.56	B88	VB RP	91	1.00	B138	VB RP	141	1.55	B270	VB RP	273	3.00
B49	VB	HVAC	52	0.57	B89	VB RP	92	1.01	B140	VB RP	143	1.57	B285	VB RP	288	3.17
B50	VB	HVAC	53	0.58	B90	VB RP	93	1.02	B141	VB RP	144	1.58	B300	VB RP	303	3.33
B51	VB	HVAC	54	0.59	B91	VB RP	94	1.03	B142	VB RP	145	1.60	B315	VB RP	318	3.50
B52	VB RP		55	0.61	B92	VB RP	95	1.05	B144	VB RP	147	1.62	B345	VB RP	348	3.83
B53	VB RP		56	0.62	B93	VB RP	96	1.06	B146	VB RP	149	1.64	B360	VB RP	363	3.99
B54	VB RP		57	0.63	B94	VB RP	97	1.07								
B55	VB RP		58	0.64	B95	VB RP	98	1.08								
B56	VB RP		59	0.65	B96	VB RP	99	1.09								
B57	VB RP		60	0.66	B97	VB RP	100	1.10								
B58	VB RP		61	0.67	B98	VB RP	101	1.11								
B59	VB RP		62	0.68	B99	VB RP	102	1.12								
B60	VB RP		63	0.69	B100	VB RP	103	1.13								
B61	VB RP		64	0.70	B101	VB RP	104	1.14								
B62	VB RP		65	0.72	B102	VB RP	105	1.16								
B63	VB RP		66	0.73	B103	VB RP	106	1.17								

AVAILABLE V-BELT CONSTRUCTION TYPES

- VB** VB STANDARD V-BELT CONSTRUCTION
- RP** **RED POWER** HIGH PERFORMANCE w/IMPROVED EFFICIENCY, HIGHER POWER CAPACITY, and NO RETENSION MAINTENANCE
- HVAC** **HVAC POWER** HIGH PERFORMANCE FRACTIONAL HORSEPOWER BELT for GREATER DURABILITY and PERFORMANCE

ORDERING EXAMPLES:

- B138** VB, 138" length
- BRP85** RED POWER, 85" length
- B32HVAC** HVAC POWER, 32" length

Contact an Optibelt representative regarding additional sizes, stock availability and pricing.

All weights are estimated.

Additional sizes and stocking available.

Custom Sizes & Ordering
Section / Max. Mfg Lengths / Min. qty.
• B / 610 in. (15,500 mm) / 25
Contact customer service for details.

S=C Length Tolerances
Standard on all Optibelt single V-belts and Wedge belts 47" in length and above. S=C Plus V-belts are always superior to a matched-set regardless of the date manufactured. Not available on aramid cord, banded or cogged belts.



CLASSICAL V-BELTS

C PROFILES

S=C PLUS ALWAYS MATCHED LENGTH TOLERANCES

SINGLE V-BELTS
CLASSICAL

C CLASSICAL PROFILE V-BELTS

PART NUMBER	AVAILABLE BELT TYPES	OUTSIDE LENGTH (IN)	WEIGHT (LBS)	PART NUMBER	AVAILABLE BELT TYPES	OUTSIDE LENGTH (IN)	WEIGHT (LBS)	PART NUMBER	AVAILABLE BELT TYPES	OUTSIDE LENGTH (IN)	WEIGHT (LBS)	PART NUMBER	AVAILABLE BELT TYPES	OUTSIDE LENGTH (IN)	WEIGHT (LBS)
C47	VB	51	0.92	C85	VB	89	1.60	C122	VB	126	2.27	C175	VB	179	3.22
C48	VB	52	0.94	C86	VB	90	1.60	C124	VB	128	2.3	C177	VB	181	3.26
C51	VB	55	0.99	C88	VB	92	1.66	C126	VB	130	2.34	C180	VB	184	3.31
C54	VB	58	1.04	C90	VB	94	1.69	C128	VB	132	2.38	C183	VB	187	3.37
C55	VB	59	1.06	C92	VB	96	1.73	C131	VB	135	2.43	C185	VB	189	3.40
C57	VB	61	1.10	C93	VB	97	1.75	C132	VB	136	2.45	C188	VB	192	3.46
C60	VB	64	1.15	C94	VB	98	1.76	C134	VB	138	2.48	C190	VB	194	3.49
C62	VB	66	1.19	C96	VB	100	1.80	C136	VB	140	2.52	C195	VB	199	3.58
C63	VB	67	1.21	C97	VB	101	1.82	C138	VB	142	2.56	C210	VB	214	3.85
C64	VB	68	1.22	C98	VB	102	1.84	C140	VB	144	2.59	C214	VB	218	3.89
C65	VB	69	1.24	C99	VB	103	1.85	C141	VB	145	2.61	C225	VB	229	4.09
C66	VB	70	1.26	C100	VB	104	1.87	C144	VB	148	2.66	C235	VB	239	4.27
C68	VB	72	1.30	C101	VB	105	1.89	C147	VB	151	2.72	C240	VB	244	4.36
C70	VB	74	1.33	C103	VB	107	1.93	C148	VB	152	2.74	C246	VB	250	4.46
C71	VB	75	1.35	C105	VB	109	1.96	C150	VB	154	2.77	C255	VB	259	4.63
C72	VB	76	1.37	C106	VB	110	1.98	C151	VB	155	2.79	C270	VB	274	4.90
C73	VB	77	1.39	C107	VB	111	2.00	C154	VB	158	2.84	C285	VB	289	5.17
C74	VB	78	1.40	C108	VB	112	2.02	C156	VB	160	2.88	C300	VB	304	5.44
C75	VB	79	1.42	C109	VB	113	2.03	C158	VB	162	2.92	C315	VB	319	5.71
C76	VB	80	1.44	C110	VB	114	2.05	C162	VB	166	2.99	C330	VB	334	5.98
C78	VB	82	1.48	C111	VB	115	2.07	C165	VB	169	3.04	C345	VB	349	6.25
C79	VB	83	1.49	C112	VB	116	2.09	C169	VB	173	3.11	C360	VB	364	6.52
C80	VB	84	1.51	C114	VB	118	2.12	C170	VB	174	3.13	C390	VB	394	7.06
C81	VB	85	1.53	C115	VB	119	2.14	C173	VB	177	3.19	C420	VB	424	7.60
C82	VB	86	1.55	C117	VB	121	2.18								
C83	VB	87	1.57	C120	VB	124	2.23								

AVAILABLE V-BELT CONSTRUCTION TYPES

VB VB STANDARD V-BELT CONSTRUCTION

ORDERING EXAMPLES:

C136 VB, 136" Length

Contact an Optibelt representative regarding additional sizes, stock availability and pricing.

All weights are estimated.

Additional sizes and stocking available.

Custom Sizes & Ordering

Section / Max. Mfg Lengths / Min. qty.

- C / 710 in. (18,000 mm) / 25

Contact customer service for details.

S=C Length Tolerances

Standard on all Optibelt single V-belts and Wedge belts 47" in length and above. S=C Plus V-belts are always superior to a matched-set regardless of the date manufactured. Not available on aramid cord, banded or cogged belts.

S=C PLUS ALWAYS MATCHED LENGTH TOLERANCES

STANDARD V-BELTS

3V, 5V & 8V PROFILES



SINGLE V-BELTS
STANDARD

3V STANDARD PROFILE V-BELTS

PART NUMBER	AVAILABLE BELT TYPES	OUTSIDE LENGTH (IN)	WEIGHT (LBS)	PART NUMBER	AVAILABLE BELT TYPES	OUTSIDE LENGTH (IN)	WEIGHT (LBS)	PART NUMBER	AVAILABLE BELT TYPES	OUTSIDE LENGTH (IN)	WEIGHT (LBS)	PART NUMBER	AVAILABLE BELT TYPES	OUTSIDE LENGTH (IN)	WEIGHT (LBS)
3V250	SK	25	0.10	3V400	SK	40	0.16	3V630	SK RP	63	0.25	3V950	SK RP	95	0.38
3V265	SK	26.5	0.11	3V425	SK	42.5	0.17	3V670	SK RP	67	0.27	3V1000	SK RP	100	0.40
3V280	SK	28	0.11	3V450	SK	45	0.18	3V710	SK RP	71	0.28	3V1060	SK RP	106	0.42
3V300	SK	30	0.12	3V475	SK RP	47.5	0.19	3V750	SK RP	75	0.30	3V1120	SK RP	112	0.45
3V315	SK	31.5	0.13	3V500	SK RP	50	0.20	3V800	SK RP	80	0.32	3V1180	SK RP	118	0.47
3V335	SK	33.5	0.13	3V530	SK RP	53	0.21	3V830	SK RP	83	0.33	3V1250	SK RP	125	0.50
3V355	SK	35.5	0.14	3V560	SK RP	56	0.22	3V850	SK RP	85	0.34	3V1320	SK RP	132	0.53
3V375	SK	37.5	0.15	3V600	SK RP	60	0.24	3V900	SK RP	90	0.36	3V1400	SK RP	140	0.56

5V STANDARD PROFILE V-BELTS

PART NUMBER	AVAILABLE BELT TYPES	OUTSIDE LENGTH (IN)	WEIGHT (LBS)	PART NUMBER	AVAILABLE BELT TYPES	OUTSIDE LENGTH (IN)	WEIGHT (LBS)	PART NUMBER	AVAILABLE BELT TYPES	OUTSIDE LENGTH (IN)	WEIGHT (LBS)	PART NUMBER	AVAILABLE BELT TYPES	OUTSIDE LENGTH (IN)	WEIGHT (LBS)
5V500	SK RP	50	0.55	5V850	SK RP	85	0.94	5V1320	SK RP	132	1.45	5V2240	SK RP	224	2.46
5V530	SK RP	53	0.58	5V900	SK RP	90	0.99	5V1400	SK RP	140	1.54	5V2360	SK RP	236	2.60
5V560	SK RP	56	0.62	5V950	SK RP	95	1.05	5V1500	SK RP	150	1.65	5V2500	SK RP	250	2.75
5V600	SK RP	60	0.66	5V1000	SK RP	100	1.10	5V1600	SK RP	160	1.76	5V2650	SK RP	265	2.92
5V630	SK RP	63	0.69	5V1060	SK RP	106	1.17	5V1700	SK RP	170	1.87	5V2800	SK RP	280	3.08
5V670	SK RP	67	0.74	5V1080	SK RP	108	1.19	5V1800	SK RP	180	1.98	5V3000	SK RP	300	3.30
5V710	SK RP	71	0.78	5V1120	SK RP	112	1.23	5V1900	SK RP	190	2.09	5V3150	SK RP	315	3.47
5V750	SK RP	75	0.83	5V1180	SK RP	118	1.30	5V2000	SK RP	200	2.20	5V3350	SK	335	3.85
5V800	SK RP	80	0.88	5V1250	SK RP	125	1.38	5V2120	SK RP	212	2.33	5V3550	SK	355	3.91

8V STANDARD PROFILE V-BELTS

PART NUMBER	AVAILABLE BELT TYPES	OUTSIDE LENGTH (IN)	WEIGHT (LBS)	PART NUMBER	AVAILABLE BELT TYPES	OUTSIDE LENGTH (IN)	WEIGHT (LBS)	PART NUMBER	AVAILABLE BELT TYPES	OUTSIDE LENGTH (IN)	WEIGHT (LBS)	PART NUMBER	AVAILABLE BELT TYPES	OUTSIDE LENGTH (IN)	WEIGHT (LBS)
8V1000	SK RP	100	3.20	8V1800	SK RP	180	5.76	8V3150	SK RP	315	10.08	8V4250	SK RP	425	13.60
8V1060	SK RP	106	3.39	8V1900	SK RP	190	6.08	8V3350	SK RP	335	10.72	8V4500	SK RP	450	14.40
8V1120	SK RP	112	3.58	8V2000	SK RP	200	6.40	8V3550	SK RP	355	11.36	8V5000	SK RP	500	16.00
8V1180	SK RP	118	3.78	8V2120	SK RP	212	6.78	8V3750	SK RP	375	12.00	8V5600	SK RP	560	17.92
8V1250	SK RP	125	4.00	8V2240	SK RP	224	7.17	8V4000	SK RP	400	12.80	8V6000	SK RP	600	19.20
8V1320	SK RP	132	4.22	8V2360	SK RP	236	7.55								
8V1400	SK RP	140	4.48	8V2500	SK RP	250	8.00								
8V1500	SK RP	150	4.80	8V2650	SK RP	265	8.48								
8V1600	SK RP	160	5.12	8V2800	SK RP	280	8.96								
8V1700	SK RP	170	5.44	8V3000	SK RP	300	9.60								

AVAILABLE V-BELT CONSTRUCTION TYPES

- SK** SK STANDARD V-BELT CONSTRUCTION
- RP** RED POWER HIGH PERFORMANCE w/IMPROVED EFFICIENCY, HIGHER POWER CAPACITY, and NO RETENSION MAINTENANCE

ORDERING EXAMPLES:

- 3V750** SK, 75" length
- 5VRP3150** RED POWER, 315" length

S=C Length Tolerances
Standard on all Optibelt single V-belts and Wedge belts 47" in length and above. S=C Plus V-belts are always superior to a matched-set regardless of the date manufactured. Not available on aramid cord, banded or cogged belts.

Custom Sizes & Ordering
Section / Max. Mfg Lengths / Min. qty.

- 3V / 157 in. / 40
- 5V / 492 in. / 25
- 8V / 492 in. / 14

Contact customer service for details.
Optibelt representative regarding additional sizes, stock availability and pricing.
All weights are estimated.
Additional sizes and stocking available.



FRACTIONAL HORSEPOWER V-BELTS

3L & 4L (A) PROFILES

S=C PLUS ALWAYS MATCHED LENGTH TOLERANCES

SINGLE V-BELTS
FRACTIONAL HP

3L CLASSICAL PROFILE V-BELTS

PART NUMBER	AVAILABLE BELT TYPES	OUTSIDE LENGTH (IN)	WEIGHT (LBS)	PART NUMBER	AVAILABLE BELT TYPES	OUTSIDE LENGTH (IN)	WEIGHT (LBS)	PART NUMBER	AVAILABLE BELT TYPES	OUTSIDE LENGTH (IN)	WEIGHT (LBS)	PART NUMBER	AVAILABLE BELT TYPES	OUTSIDE LENGTH (IN)	WEIGHT (LBS)
3L130	LD	13	0.04	3L290	LD	29	0.09	3L430	LD	43	0.14	3L570	LD	57	0.18
3L160	LD	16	0.05	3L300	LD	30	0.10	3L440	LD	44	0.14	3L580	LD	58	0.19
3L170	LD	17	0.06	3L310	LD	31	0.10	3L450	LD	45	0.15	3L590	LD	59	0.19
3L180	LD	18	0.06	3L320	LD	32	0.10	3L460	LD	46	0.15	3L600	LD	60	0.19
3L190	LD	19	0.06	3L330	LD	33	0.11	3L470	LD	47	0.15	3L610	LD	61	0.20
3L200	LD	20	0.06	3L340	LD	34	0.11	3L480	LD	48	0.16	3L620	LD	62	0.22
3L210	LD	21	0.07	3L350	LD	35	0.11	3L490	LD	49	0.16	3L630	LD	63	0.22
3L220	LD	22	0.07	3L360	LD	36	0.12	3L500	LD	50	0.16	3L640	LD	64	0.23
3L230	LD	23	0.07	3L370	LD	37	0.12	3L510	LD	51	0.17	3L650	LD	65	0.23
3L240	LD	24	0.08	3L380	LD	38	0.12	3L520	LD	52	0.17	3L660	LD	66	0.24
3L250	LD	25	0.08	3L390	LD	39	0.13	3L530	LD	53	0.17	3L740	LD	74	0.26
3L260	LD	26	0.08	3L400	LD	40	0.13	3L540	LD	54	0.18				
3L270	LD	27	0.09	3L410	LD	41	0.13	3L550	LD	55	0.18				
3L280	LD	28	0.09	3L420	LD	42	0.14	3L560	LD	56	0.18				

4L (A) CLASSICAL PROFILE V-BELTS

PART NUMBER	ALT. PART NO.	AVAIL. BELT TYPES	OUTSIDE LENGTH (IN)	WEIGHT (LBS)	PART NUMBER	ALT. PART NO.	AVAIL. BELT TYPES	OUTSIDE LENGTH (IN)	WEIGHT (LBS)	PART NUMBER	ALT. PART NO.	AVAIL. BELT TYPES	OUTSIDE LENGTH (IN)	WEIGHT (LBS)	PART NUMBER	ALT. PART NO.	AVAIL. BELT TYPES	OUTSIDE LENGTH (IN)	WEIGHT (LBS)
4L160	A14	LD	16	0.09	4L340	A32	LD	34	0.20	4L540	A52	LD	54	0.32	4L700	A68	LD	70	0.41
4L170	A15	LD	17	0.10	4L350	A33	LD	35	0.21	4L550	A53	LD	55	0.33	4L710	A69	LD	71	0.43
4L180	A16	LD	18	0.11	4L360	A34	LD	36	0.21	4L560	A54	LD	56	0.33	4L720	A70	LD	72	0.43
4L190	A17	LD	19	0.11	4L370	A35	LD	37	0.22	4L570	A55	LD	57	0.34	4L730	A71	LD	73	0.44
4L200	A18	LD	20	0.12	4L380	A36	LD	38	0.22	4L580	A56	LD	58	0.34	4L740	A72	LD	74	0.45
4L210	A19	LD	21	0.12	4L390	A37	LD	39	0.23	4L590	A57	LD	59	0.35	4L750	A73	LD	75	0.45
4L220	A20	LD	22	0.13	4L400	A38	LD	40	0.24	4L600	A58	LD	60	0.36	4L760	A74	LD	76	0.46
4L230	A21	LD	23	0.14	4L410	A39	LD	41	0.24	4L610	A59	LD	61	0.36	4L770	A75	LD	77	0.46
4L240	A22	LD	24	0.14	4L420	A40	LD	42	0.25	4L620	A60	LD	62	0.37	4L780	A76	LD	78	0.47
4L250	A23	LD	25	0.15	4L430	A41	LD	43	0.26	4L630	A61	LD	63	0.37	4L790	A77	LD	79	0.48
4L255	A23.5	LD	25.5	0.15	4L440	A42	LD	44	0.26	4L640	A62	LD	64	0.38	4L800	A78	LD	80	0.48
4L260	A24	LD	26	0.15	4L450	A43	LD	45	0.27	4L650	A63	LD	65	0.39	4L810	A79	LD	81	0.49
4L270	A25	LD	27	0.16	4L460	A44	LD	46	0.27	4L660	A64	LD	66	0.39	4L820	A80	LD	82	0.50
4L275	A25.5	LD	27.5	0.16	4L470	A45	LD	47	0.28	4L670	A65	LD	67	0.40	4L880	A86	LD	88	0.53
4L280	A26	LD	28	0.17	4L480	A46	LD	48	0.28	4L680	A66	LD	68	0.40	4L900	A88	LD	90	0.54
4L290	A27	LD	29	0.17	4L490	A47	LD	49	0.29	4L690	A67	LD	69	0.41	4L970	A95	LD	97	0.59
4L300	A28	LD	30	0.18	4L500	A48	LD	50	0.30										
4L310	A29	LD	31	0.18	4L510	A49	LD	51	0.30										
4L320	A30	LD	32	0.19	4L520	A50	LD	52	0.31										
4L330	A31	LD	33	0.20	4L530	A51	LD	53	0.31										

AVAILABLE V-BELT CONSTRUCTION TYPES **ORDERING EXAMPLES:**

- LD** LD STANDARD FRACTIONAL HORSEPOWER V-BELT CONSTRUCTION
- 3L280** LD, 28" Length
- 4L640** LD, 64" Length

SAVE HUNDREDS A YEAR!

Optibelt's HVAC Power is a fractional horsepower belt with heavy-duty performance and durability.

Because of the demands placed on larger 4L profile belts the A section part number is listed as the part number. Contact a customer service representative for more information.

Contact an Optibelt representative regarding additional sizes, stock availability and pricing.

All weights are estimated.

Additional sizes and stocking available.

Sizes & Ordering

Additional and custom sizes available. Contact customer service for details.

Need Help?

Contact Optibelt customer service. Our friendly staff is here to assist you.

TOLL FREE: 800-292-6081
E-mail: info@optibelt-usa.com

FRACTIONAL HORSEPOWER V-BELTS

S=C PLUS ALWAYS MATCHED LENGTH TOLERANCES

5L (B) PROFILES



5L (B) CLASSICAL PROFILE V-BELTS

PART NUMBER	ALT. PART NO.	AVAIL. BELT TYPES	OUTSIDE LENGTH (IN)	WEIGHT (LBS)
5L230	B20	LD	23	0.21
5L240	B21	LD	24	0.22
5L250	B22	LD	25	0.23
5L260	B23	LD	26	0.24
5L270	B24	LD	27	0.25
5L280	B25	LD	28	0.26
5L290	B26	LD	29	0.27
5L300	B27	LD	30	0.28
5L310	B28	LD	31	0.29
5L320	B29	LD	32	0.29
5L330	B30	LD	33	0.30
5L340	B31	LD	34	0.31
5L350	B32	LD	35	0.32
5L360	B33	LD	36	0.33
5L370	B34	LD	37	0.34
5L380	B35	LD	38	0.35
5L390	B36	LD	39	0.36
5L400	B37	LD	40	0.37
5L410	B38	LD	41	0.38
5L420	B39	LD	42	0.39

PART NUMBER	ALT. PART NO.	AVAIL. BELT TYPES	OUTSIDE LENGTH (IN)	WEIGHT (LBS)
5L430	B40	LD	43	0.40
5L440	B41	LD	44	0.40
5L450	B42	LD	45	0.42
5L460	B43	LD	46	0.42
5L470	B44	LD	47	0.43
5L480	B45	LD	48	0.44
5L490	B46	LD	49	0.45
5L500	B47	LD	50	0.46
5L510	B48	LD	51	0.47
5L520	B49	LD	52	0.48
5L530	B50	LD	53	0.49
5L540	B51	LD	54	0.50
5L550	B52	LD	55	0.51
5L560	B53	LD	56	0.52
5L570	B54	LD	57	0.53
5L580	B55	LD	58	0.53
5L590	B56	LD	59	0.54
5L600	B57	LD	60	0.55
5L610	B58	LD	61	0.56
5L620	B59	LD	62	0.57

PART NUMBER	ALT. PART NO.	AVAIL. BELT TYPES	OUTSIDE LENGTH (IN)	WEIGHT (LBS)
5L630	B60	LD	63	0.58
5L640	B61	LD	64	0.59
5L650	B62	LD	65	0.60
5L660	B63	LD	66	0.61
5L670	B64	LD	67	0.62
5L680	B65	LD	68	0.63
5L690	B66	LD	69	0.64
5L700	B67	LD	70	0.64
5L710	B68	LD	71	1.23
5L720	B69	LD	72	1.23
5L730	B70	LD	73	1.28
5L740	B71	LD	74	1.28
5L750	B72	LD	75	1.30

PART NUMBER	ALT. PART NO.	AVAIL. BELT TYPES	OUTSIDE LENGTH (IN)	WEIGHT (LBS)
5L760	B73	LD	76	1.30
5L770	B74	LD	77	1.34
5L780	B75	LD	78	1.34
5L790	B76	LD	79	1.36
5L810	B78	LD	81	1.39
5L820	B79	LD	82	1.41
5L830	B80	LD	83	1.42
5L840	B81	LD	84	1.43
5L850	B82	LD	85	1.45
5L860	B83	LD	86	1.45
5L880	B85	LD	88	1.50
5L900	B87	LD	90	1.54

AVAILABLE V-BELT CONSTRUCTION TYPES

LD LD STANDARD FRACTIONAL HORSEPOWER V-BELT CONSTRUCTION

ORDERING EXAMPLES:

5L280 LD, 28" Length

SAVE HUNDREDS A YEAR!

HVAC POWER is a fractional horsepower belt with heavy-duty performance and durability.

Because of the demands placed on larger 5L profile belts the B section part number is listed as the part number. Contact a customer service representative for more information.

SINGLE V-BELTS
FRACTIONAL HP

<p>Need Help? Contact Optibelt customer service. Our friendly staff is here to assist you.</p> <p>TOLL FREE: 800-292-6081 E-mail: info@optibelt-usa.com</p>	<p>Sizes & Ordering Additional and custom sizes available. Contact customer service for details.</p>	<p>Contact an Optibelt representative regarding additional sizes, stock availability and pricing.</p> <p>All weights are estimated.</p> <p>Additional sizes and stocking available.</p>
--	---	---



METRIC V-BELTS

5X, 6X, 8X & 10X PROFILES

S=C PLUS ALWAYS MATCHED LENGTH TOLERANCES

SINGLE V-BELTS
METRIC

5X METRIC PROFILE V-BELTS

PART NUMBER	AVAILABLE BELT TYPES	DATUM LENGTH (MM)	WEIGHT (LBS)	PART NUMBER	AVAILABLE BELT TYPES	DATUM LENGTH (MM)	WEIGHT (LBS)	PART NUMBER	AVAILABLE BELT TYPES	DATUM LENGTH (MM)	WEIGHT (LBS)	PART NUMBER	AVAILABLE BELT TYPES	DATUM LENGTH (MM)	WEIGHT (LBS)
•5X190	VB	200	0.01	•5X300	VB	310	0.01	•5X375	VB	385	0.02	•5X530	VB	540	0.02
•5X229	VB	239	0.01	•5X315	VB	325	0.01	•5X425	VB	435	0.02	•5X554	VB	564	0.02
•5X260	VB	270	0.01	•5X322	VB	332	0.01	•5X475	VB	485	0.02	•5X600	VB	610	0.02
•5X280	VB	290	0.01	•5X335	VB	345	0.01	•5X500	VB	510	0.02				

• Indicates belt is raw edged

6X METRIC PROFILE V-BELTS

PART NUMBER	AVAILABLE BELT TYPES	DATUM LENGTH (MM)	WEIGHT (LBS)	PART NUMBER	AVAILABLE BELT TYPES	DATUM LENGTH (MM)	WEIGHT (LBS)	PART NUMBER	AVAILABLE BELT TYPES	DATUM LENGTH (MM)	WEIGHT (LBS)	PART NUMBER	AVAILABLE BELT TYPES	DATUM LENGTH (MM)	WEIGHT (LBS)
•6X280	VB	295	0.02	•6X400	VB	415	0.02	•6X500	VB	515	0.03	•6X850	VB	865	0.05
•6X300	VB	315	0.02	•6X425	VB	440	0.02	•6X540	VB	555	0.03				
•6X335	VB	350	0.02	•6X450	VB	465	0.03	•6X600	VB	615	0.04				

• Indicates belt is raw edged

8X METRIC PROFILE V-BELTS

PART NUMBER	AVAILABLE BELT TYPES	DATUM LENGTH (MM)	WEIGHT (LBS)	PART NUMBER	AVAILABLE BELT TYPES	DATUM LENGTH (MM)	WEIGHT (LBS)	PART NUMBER	AVAILABLE BELT TYPES	DATUM LENGTH (MM)	WEIGHT (LBS)	PART NUMBER	AVAILABLE BELT TYPES	DATUM LENGTH (MM)	WEIGHT (LBS)
•8X315	VB	335	0.03	•8X560	VB	580	0.05	•8X775	VB	795	0.07	8X1020	VB	1040	0.09
•8X355	VB	375	0.03	•8X575	VB	595	0.05	•8X800	VB	820	0.07	8X1050	VB	1070	0.10
•8X400	VB	420	0.04	•8X600	VB	620	0.06	8X825	VB	845	0.08	8X1075	VB	1095	0.10
•8X425	VB	445	0.04	•8X630	VB	650	0.06	8X850	VB	870	0.08	8X1120	VB	1140	0.10
•8X450	VB	470	0.04	•8X670	VB	690	0.06	8X875	VB	895	0.08	8X1200	VB	1220	0.11
•8X475	VB	495	0.04	•8X700	VB	720	0.06	8X900	VB	920	0.08	8X1250	VB	1270	0.12
•8X490	VB	510	0.05	•8X710	VB	730	0.07	8X950	VB	970	0.09				
•8X530	VB	550	0.05	•8X750	VB	770	0.07	8X1000	VB	1020	0.09				

• Indicates belt is raw edged

10X METRIC PROFILE V-BELTS

PART NUMBER	AVAILABLE BELT TYPES	DATUM LENGTH (MM)	WEIGHT (LBS)	PART NUMBER	AVAILABLE BELT TYPES	DATUM LENGTH (MM)	WEIGHT (LBS)	PART NUMBER	AVAILABLE BELT TYPES	DATUM LENGTH (MM)	WEIGHT (LBS)	PART NUMBER	AVAILABLE BELT TYPES	DATUM LENGTH (MM)	WEIGHT (LBS)
•10X290	VB	312	0.04	10X630	VB	652	0.09	10X900	VB	922	0.13	10X1050	VB	1072	0.15
•10X315	VB	337	0.04	10X650	VB	672	0.09	10X925	VB	947	0.13	10X1060	VB	1082	0.15
•10X375	VB	397	0.05	10X670	VB	692	0.10	10X950	VB	972	0.14	10X1080	VB	1102	0.15
•10X400	VB	422	0.05	10X700	VB	722	0.10	10X975	VB	997	0.14	10X1100	VB	1122	0.16
•10X425	VB	447	0.06	10X710	VB	732	0.10	10X1000	VB	1022	0.14	10X1120	VB	1142	0.16
•10X450	VB	472	0.06	10X725	VB	747	0.10	10X1016	VB	1038	0.15	10X1150	VB	1172	0.17
•10X475	VB	497	0.06	10X730	VB	752	0.10	10X1030	VB	1052	0.15	10X1165	VB	1187	0.17
•10X480	VB	502	0.06	10X750	VB	772	0.11	10X1041	VB	1063	0.15	10X1180	VB	1202	0.17
•10X500	VB	522	0.07	10X765	VB	787	0.11								
•10X515	VB	537	0.07	10X775	VB	797	0.11								
•10X525	VB	547	0.07	10X800	VB	822	0.11								
•10X530	VB	552	0.07	10X820	VB	842	0.12								
•10X540	VB	562	0.07	10X825	VB	847	0.12								
•10X560	VB	582	0.07	10X850	VB	872	0.12								
10X575	VB	597	0.08	10X865	VB	887	0.12								
10X600	VB	622	0.09	10X875	VB	897	0.13								

• Indicates belt is raw edged

10X SIZES CONTINUED >>

AVAILABLE V-BELT CONSTRUCTION TYPES **ORDERING EXAMPLES:**
VB VB STANDARD METRIC PROFILE V-BELT **8X900** VB, 920 mm datum length

DID YOU KNOW?
 A 6X500 Classical Metric V-belt has a datum length of 515 mm. The inside measurement of the belt is 500 mm.

Contact an Optibelt representative regarding additional sizes, stock availability and pricing. All weights are estimated. Additional sizes and stocking available.	Custom Sizes & Ordering Maximum manufacturing length: 4500 mm Minimum production quantity applies. Contact customer service for details.	S=C Length Tolerances Standard on all Optibelt single V-belts and Wedge belts 47" in length and above. S=C Plus V-belts are always superior to a matched-set regardless of the date manufactured. Not available on aramid cord, banded or cogged belts.
--	--	---



SINGLE V-BELTS
METRIC

10X METRIC PROFILE V-BELTS

PART NUMBER	AVAILABLE BELT TYPES	DATUM LENGTH (MM)	WEIGHT (LBS)	PART NUMBER	AVAILABLE BELT TYPES	DATUM LENGTH (MM)	WEIGHT (LBS)	PART NUMBER	AVAILABLE BELT TYPES	DATUM LENGTH (MM)	WEIGHT (LBS)	PART NUMBER	AVAILABLE BELT TYPES	DATUM LENGTH (MM)	WEIGHT (LBS)
10X1194	VB	1216	0.17	10X1422	VB	1444	0.20	10X1675	VB	1697	0.24	10X1900	VB	1922	0.27
10X1215	VB	1237	0.17	10X1450	VB	1472	0.21	10X1700	VB	1722	0.24	10X1975	VB	1997	0.28
10X1225	VB	1247	0.18	10X1475	VB	1497	0.21	10X1725	VB	1747	0.25	10X2000	VB	2022	0.29
10X1250	VB	1272	0.18	10X1500	VB	1522	0.22	10X1750	VB	1772	0.25	10X2120	VB	2142	0.30
10X1270	VB	1292	0.18	10X1524	VB	1546	0.22	10X1775	VB	1797	0.25	10X2240	VB	2262	0.32
10X1295	VB	1317	0.18	10X1550	VB	1572	0.22	10X1800	VB	1822	0.26	10X2360	VB	2382	0.34
10X1320	VB	1342	0.19	10X1575	VB	1597	0.22	10X1850	VB	1872	0.26	10X2500	VB	2522	0.36
10X1346	VB	1368	0.19	10X1600	VB	1622	0.23								
10X1371	VB	1393	0.20	10X1626	VB	1648	0.23								
10X1400	VB	1422	0.20	10X1651	VB	1673	0.24								

AVAILABLE V-BELT CONSTRUCTION TYPES
VB VB STANDARD CONSTRUCTION METRIC PROFILE V-BELT

ORDERING EXAMPLES:
10X1400 VB, 1422 mm datum length

SPZ METRIC PROFILE V-BELTS

PART NO.	AVAILABLE BELT TYPES	DATUM LENGTH (MM)	WEIGHT (LBS)	PART NO.	AVAILABLE BELT TYPES	DATUM LENGTH (MM)	WEIGHT (LBS)	PART NO.	AVAILABLE BELT TYPES	DATUM LENGTH (MM)	WEIGHT (LBS)	PART NO.	AVAILABLE BELT TYPES	DATUM LENGTH (MM)	WEIGHT (LBS)
SPZ487	SK	487	0.08	SPZ950	SK	950	0.15	SPZ1400	SK RP	1400	0.23	SPZ1837	SK RP	1837	0.30
SPZ512	SK	512	0.08	SPZ962	SK	962	0.16	SPZ1412	SK RP	1412	0.23	SPZ1850	SK RP	1850	0.30
SPZ562	SK	562	0.09	SPZ987	SK	987	0.16	SPZ1437	SK RP	1437	0.23	SPZ1862	SK RP	1862	0.30
SPZ587	SK	587	0.09	SPZ1000	SK	1000	0.16	SPZ1462	SK RP	1462	0.24	SPZ1887	SK RP	1887	0.31
SPZ612	SK	612	0.10	SPZ1012	SK	1012	0.17	SPZ1487	SK RP	1487	0.24	SPZ1900	SK RP	1900	0.31
SPZ630	SK	630	0.10	SPZ1024	SK	1024	0.17	SPZ1500	SK RP	1500	0.24	SPZ1937	SK RP	1937	0.31
SPZ637	SK	637	0.10	SPZ1037	SK	1037	0.17	SPZ1512	SK RP	1512	0.25	SPZ1987	SK RP	1987	0.32
SPZ662	SK	662	0.11	SPZ1047	SK	1047	0.17	SPZ1537	SK RP	1537	0.25	SPZ2000	SK RP	2000	0.33
SPZ670	SK	670	0.11	SPZ1060	SK	1060	0.17	SPZ1562	SK RP	1562	0.26	SPZ2037	SK RP	2037	0.33
SPZ687	SK	687	0.11	SPZ1077	SK	1077	0.18	SPZ1587	SK RP	1587	0.26	SPZ2120	SK RP	2120	0.35
SPZ710	SK	710	0.12	SPZ1087	SK	1087	0.18	SPZ1600	SK RP	1600	0.26	SPZ2137	SK RP	2137	0.35
SPZ722	SK	722	0.12	SPZ1112	SK	1112	0.18	SPZ1612	SK RP	1612	0.26	SPZ2187	SK RP	2187	0.36
SPZ737	SK	737	0.12	SPZ1120	SK	1120	0.18	SPZ1637	SK RP	1637	0.27	SPZ2240	SK RP	2240	0.37
SPZ750	SK	750	0.12	SPZ1137	SK	1137	0.18	SPZ1650	SK RP	1650	0.27	SPZ2287	SK RP	2287	0.37
SPZ762	SK	762	0.12	SPZ1162	SK	1162	0.19	SPZ1662	SK RP	1662	0.27	SPZ2360	SK RP	2360	0.39
SPZ772	SK	772	0.13	SPZ1180	SK	1180	0.19	SPZ1687	SK RP	1687	0.28	SPZ2500	SK RP	2500	0.41
SPZ787	SK	787	0.13	SPZ1187	SK	1187	0.19	SPZ1700	SK RP	1700	0.28	SPZ2650	SK RP	2650	0.43
SPZ800	SK	800	0.13	SPZ1202	SK	1202	0.20	SPZ1737	SK RP	1737	0.28	SPZ2800	SK RP	2800	0.46
SPZ812	SK	812	0.13	SPZ1212	SK RP	1212	0.20	SPZ1762	SK RP	1762	0.29	SPZ3000	SK RP	3000	0.49
SPZ825	SK	825	0.13	SPZ1237	SK RP	1237	0.20	SPZ1787	SK RP	1787	0.29	SPZ3150	SK RP	3150	0.51
SPZ837	SK	837	0.14	SPZ1250	SK RP	1250	0.20	SPZ1800	SK RP	1800	0.29	SPZ3350	SK RP	3350	0.55
SPZ850	SK	850	0.14	SPZ1262	SK RP	1262	0.20	SPZ1812	SK RP	1812	0.29	SPZ3550	SK RP	3550	0.58
SPZ862	SK	862	0.14	SPZ1287	SK RP	1287	0.21								
SPZ875	SK	875	0.14	SPZ1312	SK RP	1312	0.21								
SPZ887	SK	887	0.15	SPZ1320	SK RP	1320	0.22								
SPZ900	SK	900	0.15	SPZ1337	SK RP	1337	0.22								
SPZ912	SK	912	0.15	SPZ1347	SK RP	1347	0.22								
SPZ925	SK	925	0.15	SPZ1362	SK RP	1362	0.22								
SPZ937	SK	937	0.15	SPZ1387	SK RP	1387	0.23								

AVAILABLE V-BELT CONSTRUCTION TYPES
SK SK STANDARD CONSTRUCTION METRIC PROFILE V-BELT
RP RED POWER HIGH PERFORMANCE w/IMPROVED EFFICIENCY, HIGHER POWER CAPACITY, and NO RETENSION MAINTENANCE

ORDERING EXAMPLES:
SPZ1120 SK, 1120 mm datum length
SPZRP2137 RED POWER, 2137 mm datum length

SPZ CONVERSION: OUTSIDE LENGTH = DATUM LENGTH + 13mm

S=C Length Tolerances
 Standard on all Optibelt single V-belts and Wedge belts 47" in length and above. S=C Plus V-belts are always superior to a matched-set regardless of the date manufactured. Not available on aramid cord, banded or cogged belts.

Custom Sizes & Ordering
 Section / Max. Mfg Lengths / Min. qty.
 • SPZ / 4,500 mm / 20
 Contact customer service for details.

Contact an Optibelt representative regarding additional sizes, stock availability and pricing.
 All weights are estimated.
 Additional sizes and stocking available.



METRIC V-BELTS

SPA PROFILES

S=C PLUS ALWAYS MATCHED LENGTH TOLERANCES

SINGLE V-BELTS
METRIC

SPA METRIC PROFILE V-BELTS

PART NUMBER	AVAILABLE BELT TYPES	DATUM LENGTH (MM)	WEIGHT (LBS)	PART NUMBER	AVAILABLE BELT TYPES	DATUM LENGTH (MM)	WEIGHT (LBS)	PART NUMBER	AVAILABLE BELT TYPES	DATUM LENGTH (MM)	WEIGHT (LBS)	PART NUMBER	AVAILABLE BELT TYPES	DATUM LENGTH (MM)	WEIGHT (LBS)
SPA707	SK	707	0.19	SPA1307	SK RP	1307	0.35	SPA1932	SK RP	1932	0.52	SPA2632	SK RP	2632	0.71
SPA732	SK	732	0.20	SPA1320	SK RP	1320	0.36	SPA1957	SK RP	1957	0.53	SPA2650	SK RP	2650	0.72
SPA757	SK	757	0.20	SPA1332	SK RP	1332	0.36	SPA1982	SK RP	1982	0.54	SPA2682	SK RP	2682	0.73
SPA782	SK	782	0.21	SPA1357	SK RP	1357	0.37	SPA2000	SK RP	2000	0.54	SPA2732	SK RP	2732	0.74
SPA800	SK	800	0.22	SPA1382	SK RP	1382	0.37	SPA2032	SK RP	2032	0.55	SPA2782	SK RP	2782	0.75
SPA807	SK	807	0.22	SPA1400	SK RP	1400	0.38	SPA2057	SK RP	2057	0.56	SPA2800	SK RP	2800	0.76
SPA832	SK	832	0.22	SPA1407	SK RP	1407	0.38	SPA2082	SK RP	2082	0.56	SPA2832	SK RP	2832	0.77
SPA850	SK	850	0.23	SPA1432	SK RP	1432	0.39	SPA2120	SK RP	2120	0.57	SPA2847	SK RP	2847	0.77
SPA857	SK	857	0.23	SPA1457	SK RP	1457	0.39	SPA2132	SK RP	2132	0.58	SPA2882	SK RP	2882	0.78
SPA882	SK	882	0.24	SPA1482	SK RP	1482	0.40	SPA2182	SK RP	2182	0.59	SPA2932	SK RP	2932	0.79
SPA900	SK	900	0.24	SPA1500	SK RP	1500	0.41	SPA2207	SK RP	2207	0.60	SPA2982	SK RP	2982	0.81
SPA907	SK	907	0.25	SPA1507	SK RP	1507	0.41	SPA2232	SK RP	2232	0.61	SPA3000	SK RP	3000	0.81
SPA932	SK	932	0.25	SPA1532	SK RP	1532	0.41	SPA2240	SK RP	2240	0.61	SPA3032	SK RP	3032	0.82
SPA950	SK	950	0.26	SPA1557	SK RP	1557	0.42	SPA2282	SK RP	2282	0.62	SPA3082	SK RP	3082	0.83
SPA957	SK	957	0.26	SPA1582	SK RP	1582	0.43	SPA2300	SK RP	2300	0.62	SPA3150	SK RP	3150	0.85
SPA982	SK	982	0.27	SPA1600	SK RP	1600	0.43	SPA2307	SK RP	2307	0.62	SPA3182	SK RP	3182	0.86
SPA1000	SK	1000	0.27	SPA1607	SK RP	1607	0.44	SPA2332	SK RP	2332	0.63	SPA3282	SK RP	3282	0.89
SPA1007	SK	1007	0.27	SPA1632	SK RP	1632	0.44	SPA2360	SK RP	2360	0.64	SPA3350	SK RP	3350	0.91
SPA1032	SK	1032	0.28	SPA1657	SK RP	1657	0.45	SPA2382	SK RP	2382	0.64	SPA3382	SK RP	3382	0.92
SPA1060	SK	1060	0.29	SPA1682	SK RP	1682	0.46	SPA2432	SK RP	2432	0.66	SPA3550	SK RP	3550	0.96
SPA1082	SK	1082	0.29	SPA1700	SK RP	1700	0.46	SPA2482	SK RP	2482	0.67	SPA3750	SK RP	3750	1.01
SPA1107	SK	1107	0.30	SPA1707	SK RP	1707	0.46	SPA2500	SK RP	2500	0.68	SPA4000	SK RP	4000	1.08
SPA1120	SK	1120	0.30	SPA1732	SK RP	1732	0.47	SPA2532	SK RP	2532	0.68	SPA4250	SK RP	4250	1.15
SPA1132	SK	1132	0.31	SPA1757	SK RP	1757	0.48	SPA2582	SK RP	2582	0.70	SPA4500	SK RP	4500	1.22
SPA1157	SK	1157	0.31	SPA1782	SK RP	1782	0.48	SPA2607	SK RP	2607	0.71				
SPA1180	SK	1180	0.32	SPA1800	SK RP	1800	0.49								
SPA1207	SK RP	1207	0.33	SPA1807	SK RP	1807	0.49								
SPA1232	SK RP	1232	0.33	SPA1832	SK RP	1832	0.50								
SPA1250	SK RP	1250	0.34	SPA1857	SK RP	1857	0.50								
SPA1257	SK RP	1257	0.34	SPA1882	SK RP	1882	0.51								
SPA1272	SK RP	1272	0.34	SPA1900	SK RP	1900	0.51								
SPA1282	SK RP	1282	0.35	SPA1907	SK RP	1907	0.52								

AVAILABLE V-BELT CONSTRUCTION TYPES

SK SK STANDARD METRIC PROFILE V-BELT

RP RED POWER HIGH PERFORMANCE w/IMPROVED EFFICIENCY, HIGHER POWER CAPACITY, and NO RE-TENSION MAINTENANCE

ORDERING EXAMPLES:

SPA1582 SK, 1582 mm datum length

SPZRP1932 RED POWER, 1932 mm datum length

SPA CONVERSION: OUTSIDE LENGTH = DATUM LENGTH + 18mm

Contact an Optibelt representative regarding additional sizes, stock availability and pricing.

All weights are estimated.

Additional sizes and stocking available.

Custom Sizes & Ordering

Section / Max. Mfg Lengths / Min. qty.

- SPA / 4,500 mm / 31

Contact customer service for details.

S=C Length Tolerances

Standard on all Optibelt single V-belts and Wedge belts 47" in length and above. S=C Plus V-belts are always superior to a matched-set regardless of the date manufactured. Not available on aramid cord, banded or cogged belts.

S=C PLUS ALWAYS MATCHED LENGTH TOLERANCES

METRIC V-BELTS
SPB & SPC PROFILES



SINGLE V-BELTS
METRIC

SPB METRIC PROFILE V-BELTS

PART NUMBER	AVAILABLE BELT TYPES		DATUM LENGTH (MM)	WEIGHT (LBS)	PART NUMBER	AVAILABLE BELT TYPES		DATUM LENGTH (MM)	WEIGHT (LBS)	PART NUMBER	AVAILABLE BELT TYPES		DATUM LENGTH (MM)	WEIGHT (LBS)	PART NUMBER	AVAILABLE BELT TYPES		DATUM LENGTH (MM)	WEIGHT (LBS)
SPB1250	SK	RP	1250	0.54	SPB2020	SK	RP	2020	0.87	SPB3150	SK	RP	3150	1.35	SPB4750	SK	RP	4750	2.04
SPB1320	SK	RP	1320	0.57	SPB2060	SK	RP	2060	0.88	SPB3250	SK	RP	3250	1.39	SPB5000	SK	RP	5000	2.15
SPB1400	SK	RP	1400	0.60	SPB2120	SK	RP	2120	0.91	SPB3350	SK	RP	3350	1.44	SPB5300	SK	RP	5300	2.27
SPB1450	SK	RP	1450	0.62	SPB2180	SK	RP	2180	0.94	SPB3450	SK	RP	3450	1.48	SPB5600	SK	RP	5600	2.40
SPB1500	SK	RP	1500	0.64	SPB2240	SK	RP	2240	0.96	SPB3550	SK	RP	3550	1.52	SPB6000	SK	RP	6000	2.57
SPB1600	SK	RP	1600	0.69	SPB2360	SK	RP	2360	1.01	SPB3650	SK	RP	3650	1.57	SPB6300	SK	RP	6300	2.70
SPB1700	SK	RP	1700	0.73	SPB2500	SK	RP	2500	1.07	SPB3750	SK	RP	3750	1.61	SPB6700	SK	RP	6700	2.88
SPB1750	SK	RP	1750	0.75	SPB2650	SK	RP	2650	1.14	SPB4000	SK	RP	4000	1.72	SPB7100	SK	RP	7100	3.05
SPB1800	SK	RP	1800	0.77	SPB2800	SK	RP	2800	1.20	SPB4250	SK	RP	4250	1.82	SPB7500	SK	RP	7500	3.22
SPB1850	SK	RP	1850	0.79	SPB2850	SK	RP	2850	1.22	SPB4500	SK	RP	4500	1.93	SPB8000	SK	RP	8000	3.43
SPB1900	SK	RP	1900	0.82	SPB2900	SK	RP	2900	1.25										
SPB2000	SK	RP	2000	0.86	SPB3000	SK	RP	3000	1.29										

SPB CONVERSION: OUTSIDE LENGTH = DATUM LENGTH +22mm

SPC METRIC PROFILE V-BELTS

PART NUMBER	AVAILABLE BELT TYPES		DATUM LENGTH (MM)	WEIGHT (LBS)	PART NUMBER	AVAILABLE BELT TYPES		DATUM LENGTH (MM)	WEIGHT (LBS)	PART NUMBER	AVAILABLE BELT TYPES		DATUM LENGTH (MM)	WEIGHT (LBS)	PART NUMBER	AVAILABLE BELT TYPES		DATUM LENGTH (MM)	WEIGHT (LBS)
SPC2000	SK	RP	2000	1.66	SPC4000	SK	RP	4000	3.32	SPC8000	SK	RP	8000	6.64	SPC10000	SK	RP	10000	8.29
SPC2120	SK	RP	2120	1.76	SPC4250	SK	RP	4250	3.52	SPC8500	SK	RP	8500	7.05	SPC10600	SK		10600	8.79
SPC2240	SK	RP	2240	1.86	SPC4500	SK	RP	4500	3.73	SPC9000	SK	RP	9000	7.46	SPC11200	SK		11200	9.29
SPC2360	SK	RP	2360	1.96	SPC4750	SK	RP	4750	3.94	SPC9500	SK	RP	9500	7.88	SPC12500	SK		12500	10.37
SPC2500	SK	RP	2500	2.07	SPC5000	SK	RP	5000	4.15										
SPC2650	SK	RP	2650	2.20	SPC5300	SK	RP	5300	4.40										
SPC2800	SK	RP	2800	2.32	SPC5600	SK	RP	5600	4.64										
SPC3000	SK	RP	3000	2.49	SPC6000	SK	RP	6000	4.98										
SPC3150	SK	RP	3150	2.61	SPC6300	SK	RP	6300	5.23										
SPC3350	SK	RP	3350	2.78	SPC6700	SK	RP	6700	5.56										
SPC3550	SK	RP	3550	2.94	SPC7100	SK	RP	7100	5.89										
SPC3750	SK	RP	3750	3.11	SPC7500	SK	RP	7500	6.22										

AVAILABLE V-BELT CONSTRUCTION TYPES

- SK** SK STANDARD METRIC PROFILE V-BELT
- RP** RED POWER HIGH PERFORMANCE w/IMPROVED EFFICIENCY, HIGHER POWER CAPACITY, and NO RETENSION MAINTENANCE

ORDERING EXAMPLES:

- SPB1450** SK, 1450 mm datum length
- SPCRP4250** RED POWER, 4250 mm datum length

SPC CONVERSION: OUTSIDE LENGTH = DATUM LENGTH +30mm

<p>S=C Length Tolerances Standard on all Optibelt single V-belts and Wedge belts 47" in length and above. S=C Plus V-belts are always superior to a matched-set regardless of the date manufactured. Not available on aramid cord, banded or cogged belts.</p>	<p>Custom Sizes & Ordering Section / Max. Mfg Lengths / Min. qty. <ul style="list-style-type: none"> SPB / 18,000 mm / 25 SPC / 21,000 mm / 16 Contact customer service for details.</p>	<p>Contact an Optibelt representative regarding additional sizes, stock availability and pricing. All weights are estimated. Additional sizes and stocking available.</p>
---	--	---



CLASSICAL COGGED V-BELTS

AX & BX PROFILES

M=S MATCHED-SET TOLERANCES

AX CLASSICAL PROFILE COGGED V-BELTS

PART NUMBER	AVAILABLE BELT TYPES	OUTSIDE LENGTH (IN)	WEIGHT (LBS)	PART NUMBER	AVAILABLE BELT TYPES	OUTSIDE LENGTH (IN)	WEIGHT (LBS)	PART NUMBER	AVAILABLE BELT TYPES	OUTSIDE LENGTH (IN)	WEIGHT (LBS)	PART NUMBER	AVAILABLE BELT TYPES	OUTSIDE LENGTH (IN)	WEIGHT (LBS)
AX20	TX	22	0.13	AX36	TX	38	0.23	AX59	TX	61	0.37	AX88	TX	90	0.54
AX21	TX	23	0.14	AX37	TX	39	0.23	AX60	TX	62	0.37	AX90	TX	92	0.55
AX22	TX	24	0.14	AX38	TX	40	0.24	AX62	TX	64	0.38	AX92	TX	94	0.56
AX23	TX	25	0.15	AX39	TX	41	0.25	AX63	TX	65	0.39	AX93	TX	95	0.57
AX23.5	TX	25.5	0.15	AX40	TX	42	0.25	AX64	TX	66	0.40	AX96	TX	98	0.59
AX24	TX	26	0.16	AX41	TX	43	0.26	AX65	TX	67	0.40	AX97	TX	99	0.59
AX25	TX	27	0.16	AX42	TX	44	0.26	AX66	TX	68	0.41	AX98	TX	100	0.60
AX26	TX	28	0.17	AX43	TX	45	0.27	AX67	TX	69	0.42	AX100	TX	102	0.61
AX26.5	TX	28.5	0.17	AX45	TX	47	0.28	AX68	TX	70	0.42	AX103	TX	105	0.63
AX27	TX	29	0.17	AX46	TX	48	0.29	AX69	TX	71	0.43	AX104	TX	106	0.64
AX28	TX	30	0.18	AX48	TX	50	0.30	AX70	TX	72	0.43	AX105	TX	107	0.64
AX29	TX	31	0.19	AX49	TX	51	0.31	AX71	TX	73	0.44	AX110	TX	112	0.67
AX30	TX	32	0.19	AX50	TX	52	0.31	AX75	TX	77	0.46	AX112	TX	114	0.68
AX31	TX	33	0.20	AX51	TX	53	0.32	AX76	TX	78	0.47	AX120	TX	122	0.73
AX32	TX	34	0.20	AX53	TX	55	0.33	AX78	TX	80	0.48	AX124	TX	126	0.75
AX33	TX	35	0.21	AX54	TX	56	0.34	AX80	TX	82	0.49	AX128	TX	130	0.78
AX34	TX	36	0.22	AX55	TX	57	0.34	AX82	TX	84	0.50	AX132	TX	134	0.81
AX35	TX	37	0.22	AX56	TX	58	0.35	AX83	TX	85	0.51	AX136	TX	138	0.83
AX35.5	TX	37.5	0.23	AX58	TX	60	0.36	AX85	TX	87	0.52				

BX CLASSICAL PROFILE COGGED V-BELTS

PART NUMBER	AVAILABLE BELT TYPES	OUTSIDE LENGTH (IN)	WEIGHT (LBS)	PART NUMBER	AVAILABLE BELT TYPES	OUTSIDE LENGTH (IN)	WEIGHT (LBS)	PART NUMBER	AVAILABLE BELT TYPES	OUTSIDE LENGTH (IN)	WEIGHT (LBS)	PART NUMBER	AVAILABLE BELT TYPES	OUTSIDE LENGTH (IN)	WEIGHT (LBS)
BX22	TX	25	0.28	BX47	TX	50	0.55	BX67	TX	70	0.77	BX90	TX	93	1.02
BX23	TX	26	0.31	BX48	TX	51	0.56	BX68	TX	71	0.78	BX93	TX	96	1.06
BX25	TX	28	0.33	BX50	TX	53	0.58	BX70	TX	73	0.80	BX95	TX	98	1.08
BX26	TX	29	0.34	BX51	TX	54	0.59	BX71	TX	74	0.81	BX96	TX	99	1.09
BX28	TX	31	0.34	BX52	TX	55	0.61	BX72	TX	75	0.83	BX97	TX	100	1.10
BX32	TX	35	0.39	BX53	TX	56	0.62	BX73	TX	76	0.84	BX99	TX	102	1.12
BX34	TX	37	0.41	BX54	TX	57	0.63	BX74	TX	77	0.85	BX100	TX	103	1.13
BX34.5	TX	37.5	0.41	BX55	TX	58	0.64	BX75	TX	78	0.86	BX103	TX	106	1.17
BX35	TX	38	0.42	BX56	TX	59	0.65	BX76	TX	79	0.87	BX105	TX	108	1.19
BX36	TX	39	0.43	BX57	TX	60	0.66	BX77	TX	80	0.88	BX108	TX	111	1.22
BX38	TX	41	0.45	BX58	TX	61	0.67	BX78	TX	81	0.89	BX112	TX	115	1.27
BX40	TX	43	0.47	BX59	TX	62	0.68	BX79	TX	82	0.90	BX113	TX	116	1.28
BX41	TX	44	0.48	BX60	TX	63	0.69	BX80	TX	83	0.91	BX115	TX	118	1.30
BX42	TX	45	0.5	BX61	TX	64	0.70	BX81	TX	84	0.92	BX116	TX	119	1.31
BX43	TX	46	0.51	BX62	TX	65	0.72	BX82	TX	85	0.94	BX118	TX	121	1.33
BX44	TX	47	0.52	BX63	TX	66	0.73	BX83	TX	86	0.95	BX120	TX	123	1.35
BX45	TX	48	0.53	BX64	TX	67	0.74	BX85	TX	88	0.97	BX124	TX	127	1.40
BX45.5	TX	48.5	0.53	BX65	TX	68	0.75	BX88	TX	91	1.00	BX128	TX	131	1.44
BX46	TX	49	0.54	BX66	TX	69	0.76								

AVAILABLE V-BELT CONSTRUCTION TYPES

TX TX CLASSIC PROFILE COGGED V-BELT

ORDERING EXAMPLES:

AX68 TX, 70" Outside Length

BX115 TX, 118" Outside Length

Contact an Optibelt representative regarding additional sizes, stock availability and pricing.

All weights are estimated.

Additional sizes and stocking available.

Custom Sizes & Ordering

Additional stocked and custom sizes available. Contact customer service for details.

M=S Length Tolerances

Matched Set (M=S) Belts all meet industry tolerances for matched-sets without the need for remeasuring or matching date codes.

COGGED V-BELTS
CLASSICAL

CLASSICAL & STANDARD COGGED V-BELTS

M=S MATCHED-SET TOLERANCES

CX, 3VX, & 5VX PROFILES



CX CLASSICAL PROFILE COGGED V-BELTS

PART NUMBER	AVAILABLE BELT TYPES	OUTSIDE LENGTH (IN)	WEIGHT (LBS)	PART NUMBER	AVAILABLE BELT TYPES	OUTSIDE LENGTH (IN)	WEIGHT (LBS)	PART NUMBER	AVAILABLE BELT TYPES	OUTSIDE LENGTH (IN)	WEIGHT (LBS)	PART NUMBER	AVAILABLE BELT TYPES	OUTSIDE LENGTH (IN)	WEIGHT (LBS)
CX51	TX	55	0.99	CX85	TX	89	1.60	CX115	TX	119	2.14	CX148	TX	152	2.74
CX60	TX	64	1.15	CX90	TX	94	1.69	CX120	TX	124	2.23	CX158	TX	162	2.92
CX67	TX	71	1.28	CX96	TX	100	1.80	CX128	TX	132	2.38	CX162	TX	166	2.99
CX68	TX	72	1.30	CX105	TX	109	1.96	CX136	TX	140	2.52	CX173	TX	177	3.19
CX75	TX	79	1.42	CX109	TX	113	2.03	CX144	TX	148	2.66	CX180	TX	184	3.31
CX81	TX	85	1.53	CX112	TX	116	2.09	CX147	TX	151	2.72	CX195	TX	199	3.58

AVAILABLE V-BELT CONSTRUCTION TYPES

TX TX CLASSICAL PROFILE COGGED V-BELT

ORDERING EXAMPLES:

CX240 TX, 244" Outside Length

3VX STANDARD PROFILE COGGED V-BELTS

PART NUMBER	AVAILABLE BELT TYPES	OUTSIDE LENGTH (IN)	WEIGHT (LBS)	PART NUMBER	AVAILABLE BELT TYPES	OUTSIDE LENGTH (IN)	WEIGHT (LBS)	PART NUMBER	AVAILABLE BELT TYPES	OUTSIDE LENGTH (IN)	WEIGHT (LBS)	PART NUMBER	AVAILABLE BELT TYPES	OUTSIDE LENGTH (IN)	WEIGHT (LBS)
3VX250	XP	25	0.09	3VX400	XP	40	0.14	3VX630	XP	63	0.23	3VX1000	XP	100	0.36
3VX265	XP	26.5	0.10	3VX425	XP	42.5	0.15	3VX670	XP	67	0.24	3VX1060	XP	106	0.38
3VX280	XP	28	0.10	3VX450	XP	45	0.16	3VX710	XP	71	0.26	3VX1120	XP	112	0.40
3VX300	XP	30	0.11	3VX475	XP	47.5	0.17	3VX750	XP	75	0.27	3VX1180	XP	118	0.42
3VX315	XP	31.5	0.11	3VX500	XP	50	0.18	3VX800	XP	80	0.29	3VX1250	XP	125	0.45
3VX335	XP	33.5	0.12	3VX530	XP	53	0.19	3VX850	XP	85	0.31	3VX1320	XP	132	0.48
3VX355	XP	35.5	0.13	3VX560	XP	56	0.20	3VX900	XP	90	0.32	3VX1400	XP	140	0.50
3VX375	XP	37.5	0.14	3VX600	XP	60	0.22	3VX950	XP	95	0.34				

5VX STANDARD PROFILE COGGED V-BELTS

PART NUMBER	AVAILABLE BELT TYPES	OUTSIDE LENGTH (IN)	WEIGHT (LBS)	PART NUMBER	AVAILABLE BELT TYPES	OUTSIDE LENGTH (IN)	WEIGHT (LBS)	PART NUMBER	AVAILABLE BELT TYPES	OUTSIDE LENGTH (IN)	WEIGHT (LBS)	PART NUMBER	AVAILABLE BELT TYPES	OUTSIDE LENGTH (IN)	WEIGHT (LBS)
• 5VX450	XP	45	0.45	• 5VX610	XP	61	0.61	• 5VX830	XP	83	0.83	5VX1080	XP	108	1.08
• 5VX470	XP	47	0.47	5VX630	XP	63	0.63	• 5VX840	XP	84	0.84	5VX1120	XP	112	1.12
• 5VX490	XP	49	0.49	• 5VX650	XP	65	0.65	5VX850	XP	85	0.85	5VX1180	XP	118	1.18
5VX500	XP	50	0.50	• 5VX660	XP	66	0.66	• 5VX860	XP	86	0.86	• 5VX1230	XP	123	1.23
• 5VX510	XP	51	0.51	5VX670	XP	67	0.67	• 5VX880	XP	88	0.88	5VX1250	XP	125	1.25
5VX530	XP	53	0.53	• 5VX680	XP	68	0.68	5VX900	XP	90	0.90	5VX1320	XP	132	1.32
• 5VX540	XP	54	0.54	• 5VX690	XP	69	0.69	• 5VX930	XP	93	0.93	5VX1400	XP	140	1.40
• 5VX550	XP	55	0.55	5VX710	XP	71	0.71	5VX950	XP	95	0.95	• 5VX1500	XP	150	1.50
5VX560	XP	56	0.56	• 5VX730	XP	73	0.73	• 5VX960	XP	96	0.96	• 5VX1600	XP	160	1.60
• 5VX570	XP	57	0.57	• 5VX740	XP	74	0.74	5VX1000	XP	100	1.00	• 5VX1700	XP	170	1.70
• 5VX580	XP	58	0.58	5VX750	XP	75	0.75	5VX1030	XP	103	1.03	• 5VX1800	XP	180	1.80
• 5VX590	XP	59	0.59	• 5VX780	XP	78	0.78	5VX1060	XP	106	1.06	• 5VX1900	XP	190	1.90
5VX600	XP	60	0.60	• 5VX800	XP	80	0.80								

• Indicates SUPER TX Construction

AVAILABLE V-BELT CONSTRUCTION TYPES

XP XP STANDARD PROFILE COGGED V-BELT

ORDERING EXAMPLES:

3VX475 XP, 47.5" Outside Length
5VX1120 XP, 112" Outside Length

COGGED V-BELTS
CLASSICAL & STANDARD

M=S Length Tolerances
Matched Set (M=S) Belts all meet industry tolerances for matched-sets without the need for remeasuring or matching date codes.

Custom Sizes & Ordering
Additional stocked and custom sizes available.
Contact customer service for details.

Contact an Optibelt representative regarding additional sizes, stock availability and pricing.
All weights are estimated.
Additional sizes and stocking available.



METRIC COGGED V-BELTS

XPZ & XPA PROFILES

M=S MATCHED-SET TOLERANCES

XPZ METRIC PROFILE COGGED V-BELTS

PART NUMBER	AVAILABLE BELT TYPES	DATUM LENGTH (MM)	WEIGHT (LBS)	PART NUMBER	AVAILABLE BELT TYPES	DATUM LENGTH (MM)	WEIGHT (LBS)	PART NUMBER	AVAILABLE BELT TYPES	DATUM LENGTH (MM)	WEIGHT (LBS)	PART NUMBER	AVAILABLE BELT TYPES	DATUM LENGTH (MM)	WEIGHT (LBS)
XPZ587	XP	587	0.09	XPZ900	XP	900	0.14	XPZ1250	XP	1250	0.19	XPZ1750	XP	1750	0.27
XPZ612	XP	612	0.09	XPZ912	XP	912	0.14	XPZ1262	XP	1262	0.19	XPZ1762	XP	1762	0.27
XPZ630	XP	630	0.09	XPZ925	XP	925	0.14	XPZ1287	XP	1287	0.20	XPZ1800	XP	1800	0.27
XPZ637	XP	637	0.10	XPZ937	XP	937	0.14	XPZ1312	XP	1312	0.20	XPZ1850	XP	1850	0.28
XPZ662	XP	662	0.10	XPZ950	XP	950	0.15	XPZ1320	XP	1320	0.20	XPZ1900	XP	1900	0.29
XPZ670	XP	670	0.10	XPZ962	XP	962	0.15	XPZ1337	XP	1337	0.20	XPZ1950	XP	1950	0.30
XPZ687	XP	687	0.10	XPZ987	XP	987	0.15	XPZ1362	XP	1362	0.21	XPZ2000	XP	2000	0.30
XPZ710	XP	710	0.11	XPZ1000	XP	1000	0.15	XPZ1387	XP	1387	0.21	XPZ2120	XP	2120	0.32
XPZ730	XP	730	0.11	XPZ1012	XP	1012	0.15	XPZ1400	XP	1400	0.21	XPZ2150	XP	2150	0.33
XPZ737	XP	737	0.11	XPZ1037	XP	1037	0.16	XPZ1412	XP	1412	0.21	XPZ2240	XP	2240	0.34
XPZ750	XP	750	0.11	XPZ1060	XP	1060	0.16	XPZ1437	XP	1437	0.22	XPZ2360	XP	2360	0.36
XPZ762	XP	762	0.12	XPZ1077	XP	1077	0.16	XPZ1462	XP	1462	0.22	XPZ2500	XP	2500	0.38
XPZ772	XP	772	0.12	XPZ1087	XP	1087	0.17	XPZ1487	XP	1487	0.23	XPZ2540	XP	2540	0.39
XPZ787	XP	787	0.12	XPZ1112	XP	1112	0.17	XPZ1500	XP	1500	0.23	XPZ2650	XP	2650	0.40
XPZ800	XP	800	0.12	XPZ1120	XP	1120	0.17	XPZ1512	XP	1512	0.23	XPZ2690	XP	2690	0.41
XPZ812	XP	812	0.12	XPZ1137	XP	1137	0.17	XPZ1537	XP	1537	0.23	XPZ2800	XP	2800	0.42
XPZ825	XP	825	0.13	XPZ1162	XP	1162	0.18	XPZ1562	XP	1562	0.24	XPZ2840	XP	2840	0.43
XPZ837	XP	837	0.13	XPZ1180	XP	1180	0.18	XPZ1587	XP	1587	0.24	XPZ3000	XP	3000	0.46
XPZ850	XP	850	0.13	XPZ1187	XP	1187	0.18	XPZ1600	XP	1600	0.24	XPZ3150	XP	3150	0.48
XPZ862	XP	862	0.13	XPZ1202	XP	1202	0.18	XPZ1612	XP	1612	0.24	XPZ3350	XP	3350	0.51
XPZ875	XP	875	0.13	XPZ1212	XP	1212	0.18	XPZ1662	XP	1662	0.25	XPZ3550	XP	3550	0.54
XPZ887	XP	887	0.13	XPZ1237	XP	1237	0.19	XPZ1700	XP	1700	0.26				

XPZ CONVERSION: OUTSIDE LENGTH = DATUM LENGTH + 13mm

AVAILABLE V-BELT CONSTRUCTION TYPES

XP XP METRIC PROFILE COGGED V-BELT

ORDERING EXAMPLES:

XPZ1537 XP, 1537 mm Datum Length

XPA METRIC PROFILE COGGED V-BELTS

PART NUMBER	AVAILABLE BELT TYPES	DATUM LENGTH (MM)	WEIGHT (LBS)	PART NUMBER	AVAILABLE BELT TYPES	DATUM LENGTH (MM)	WEIGHT (LBS)	PART NUMBER	AVAILABLE BELT TYPES	DATUM LENGTH (MM)	WEIGHT (LBS)	PART NUMBER	AVAILABLE BELT TYPES	DATUM LENGTH (MM)	WEIGHT (LBS)
XPA707	XP	707	0.17	XPA932	XP	932	0.22	XPA1157	XP	1157	0.27	XPA1382	XP	1382	0.32
XPA732	XP	732	0.17	XPA950	XP	950	0.22	XPA1180	XP	1180	0.28	XPA1400	XP	1400	0.33
XPA757	XP	757	0.18	XPA957	XP	957	0.22	XPA1207	XP	1207	0.28	XPA1432	XP	1432	0.33
XPA782	XP	782	0.18	XPA982	XP	982	0.23	XPA1232	XP	1232	0.29	XPA1450	XP	1450	0.34
XPA800	XP	800	0.19	XPA1000	XP	1000	0.23	XPA1250	XP	1250	0.29	XPA1457	XP	1457	0.34
XPA807	XP	807	0.19	XPA1007	XP	1007	0.24	XPA1257	XP	1257	0.29	XPA1482	XP	1482	0.35
XPA832	XP	832	0.19	XPA1030	XP	1030	0.24	XPA1272	XP	1272	0.30	XPA1500	XP	1500	0.35
XPA850	XP	850	0.20	XPA1060	XP	1060	0.25	XPA1282	XP	1282	0.30	XPA1507	XP	1507	0.35
XPA857	XP	857	0.20	XPA1082	XP	1082	0.25	XPA1307	XP	1307	0.31	XPA1532	XP	1532	0.36
XPA882	XP	882	0.20	XPA1107	XP	1107	0.26	XPA1320	XP	1320	0.31	XPA1557	XP	1557	0.36
XPA900	XP	900	0.21	XPA1120	XP	1120	0.26	XPA1332	XP	1332	0.31				
XPA907	XP	907	0.21	XPA1132	XP	1132	0.26	XPA1357	XP	1357	0.32				

XPA CONVERSION: OUTSIDE LENGTH = DATUM LENGTH + 18mm

AVAILABLE V-BELT CONSTRUCTION TYPES

XP XP METRIC PROFILE COGGED V-BELT

ORDERING EXAMPLES:

XPA800 XP, 800 mm Datum Length

XPA SIZES CONTINUED >>

Contact an Optibelt representative regarding additional sizes, stock availability and pricing.

All weights are estimated.

Additional sizes and stocking available.

Custom Sizes & Ordering

Additional stocked and custom sizes available. Contact customer service for details.

M=S Length Tolerances

Matched Set (M=S) Belts all meet industry tolerances for matched-sets without the need for remeasuring or matching date codes.

COGGED V-BELTS
METRIC

METRIC COGGED V-BELTS

XPA, XPB, & XPC PROFILES



M=S MATCHED-SET TOLERANCES

XPA METRIC PROFILE COGGED V-BELTS

PART NUMBER	AVAILABLE BELT TYPES	DATUM LENGTH (IN)	WEIGHT (LBS)
XPA1582	XP	1582	0.37
XPA1600	XP	1600	0.37
XPA1607	XP	1607	0.37
XPA1632	XP	1632	0.38
XPA1650	XP	1650	0.39
XPA1682	XP	1682	0.39
XPA1700	XP	1700	0.40
XPA1732	XP	1732	0.40

PART NUMBER	AVAILABLE BELT TYPES	DATUM LENGTH (IN)	WEIGHT (LBS)
XPA1750	XP	1750	0.41
XPA1757	XP	1757	0.41
XPA1782	XP	1782	0.42
XPA1800	XP	1800	0.42
XPA1832	XP	1832	0.43
XPA1850	XP	1850	0.43
XPA1882	XP	1882	0.44
XPA1900	XP	1900	0.44

PART NUMBER	AVAILABLE BELT TYPES	DATUM LENGTH (IN)	WEIGHT (LBS)
XPA1932	XP	1932	0.45
XPA1950	XP	1950	0.46
XPA1982	XP	1982	0.46
XPA2000	XP	2000	0.47
XPA2120	XP	2120	0.50
XPA2240	XP	2240	0.52
XPA2360	XP	2360	0.55
XPA2500	XP	2500	0.58

PART NUMBER	AVAILABLE BELT TYPES	DATUM LENGTH (IN)	WEIGHT (LBS)
XPA2650	XP	2650	0.62
XPA2800	XP	2800	0.65
XPA3000	XP	3000	0.70
XPA3150	XP	3150	0.73
XPA3350	XP	3350	0.78
XPA3550	XP	3550	0.83

XPA CONVERSION: OUTSIDE LENGTH = DATUM LENGTH + 18mm

AVAILABLE V-BELT CONSTRUCTION TYPES

XP XP STANDARD PROFILE COGGED V-BELT

ORDERING EXAMPLES:

XPA1782 XP, 1782 mm Datum Length

XPB METRIC PROFILE COGGED V-BELTS

PART NUMBER	AVAILABLE BELT TYPES	DATUM LENGTH (IN)	WEIGHT (LBS)
XPB1250	XP	1250	0.54
XPB1320	XP	1320	0.57
XPB1400	XP	1400	0.60
XPB1500	XP	1500	0.64
XPB1600	XP	1600	0.69
XPB1700	XP	1700	0.73
XPB1750	XP	1750	0.75

PART NUMBER	AVAILABLE BELT TYPES	DATUM LENGTH (IN)	WEIGHT (LBS)
XPB1800	XP	1800	0.77
XPB1850	XP	1850	0.79
XPB1900	XP	1900	0.82
XPB2000	XP	2000	0.86
XPB2020	XP	2020	0.87
XPB2120	XP	2120	0.91
XPB2150	XP	2150	0.92

PART NUMBER	AVAILABLE BELT TYPES	DATUM LENGTH (IN)	WEIGHT (LBS)
XPB2240	XP	2240	0.96
XPB2280	XP	2280	0.98
XPB2360	XP	2360	1.01
XPB2400	XP	2400	1.03
XPB2500	XP	2500	1.07
XPB2650	XP	2650	1.14
XPB2680	XP	2680	1.15

PART NUMBER	AVAILABLE BELT TYPES	DATUM LENGTH (IN)	WEIGHT (LBS)
XPB2800	XP	2800	1.20
XPB2840	XP	2840	1.22
XPB3000	XP	3000	1.29
XPB3150	XP	3150	1.35
XPB3350	XP	3350	1.44
XPB3550	XP	3550	1.52

XPB CONVERSION: OUTSIDE LENGTH = DATUM LENGTH + 22mm

AVAILABLE V-BELT CONSTRUCTION TYPES

XP XP STANDARD PROFILE COGGED V-BELT

ORDERING EXAMPLES:

XPB2000 XP, 2000 mm Datum Length

XPC METRIC PROFILE COGGED V-BELTS

PART NUMBER	AVAILABLE BELT TYPES	OUTSIDE LENGTH (IN)	WEIGHT (LBS)
XPC2000	XP	2000	1.51
XPC2120	XP	2120	1.60
XPC2240	XP	2240	1.69

PART NUMBER	AVAILABLE BELT TYPES	OUTSIDE LENGTH (IN)	WEIGHT (LBS)
XPC2360	XP	2360	1.78
XPC2500	XP	2500	1.89
XPC2650	XP	2650	2.00

PART NUMBER	AVAILABLE BELT TYPES	OUTSIDE LENGTH (IN)	WEIGHT (LBS)
XPC2800	XP	2800	2.11
XPC3000	XP	3000	2.26
XPC3150	XP	3150	2.38

PART NUMBER	AVAILABLE BELT TYPES	OUTSIDE LENGTH (IN)	WEIGHT (LBS)
XPC3350	XP	3350	2.53
XPC3550	XP	3550	2.68

XPC CONVERSION: OUTSIDE LENGTH = DATUM LENGTH + 30mm

AVAILABLE V-BELT CONSTRUCTION TYPES

XP XP STANDARD PROFILE COGGED V-BELT

ORDERING EXAMPLES:

XPC3350 XP, 3350 mm Datum Length

M=S Length Tolerances

Matched Set (M=S) Belts all meet industry tolerances for matched-sets without the need for remeasuring or matching date codes.

Custom Sizes & Ordering

Additional stocked and custom sizes available. Contact customer service for details.

Contact an Optibelt representative regarding additional sizes, stock availability and pricing.

All weights are estimated.

Additional sizes and stocking available.

COGGED V-BELTS
METRIC



CLASSICAL BANDED V-BELTS

B, C, & D PROFILES

B CLASSICAL PROFILE BANDED V-BELTS

PART NUMBER	AVAILABLE BELT TYPES	OUTSIDE LENGTH (IN)	WEIGHT (LBS)	PART NUMBER	AVAILABLE BELT TYPES	OUTSIDE LENGTH (IN)	WEIGHT (LBS)	PART NUMBER	AVAILABLE BELT TYPES	OUTSIDE LENGTH (IN)	WEIGHT (LBS)	PART NUMBER	AVAILABLE BELT TYPES	OUTSIDE LENGTH (IN)	WEIGHT (LBS)	
B48	KB	51	1.43	B67	KB	70	1.99	B88	KB	91	2.63	B140	KB	143	4.17	
B50	KB	53	1.49	B68	KB	71	2.02	B90	KB	93	2.69	B144	KB	RP	147	4.29
B51	KB	54	1.52	B70	KB	73	2.08	B93	KB	96	2.78	B148	KB	RP	151	4.41
B52	KB	55	1.56	B71	KB	74	2.12	B95	KB	98	2.84	B150	KB		153	4.47
B53	KB	56	1.59	B72	KB	75	2.15	B96	KB	99	2.87	B154	KB	RP	157	4.59
B54	KB	57	1.62	B73	KB	76	2.18	B97	KB	100	2.90	B158	KB	RP	161	4.71
B55	KB	58	1.64	B74	KB	77	2.21	B99	KB	102	2.95	B162	KB		165	4.83
B56	KB	59	1.67	B75	KB	78	2.24	B100	KB	103	2.99	B173	KB	RP	176	5.15
B57	KB	60	1.70	B77	KB	80	2.30	B103	KB	106	3.08	B180	KB		183	5.36
B58	KB	61	1.72	B78	KB	81	2.33	B105	KB	108	3.14	B195	KB	RP	198	5.81
B59	KB	62	1.76	B79	KB	82	2.36	B108	KB	111	3.22	B210	KB		213	6.26
B60	KB	63	1.80	B80	KB	83	2.39	B112	KB	115	3.34	B225	KB		228	6.66
B61	KB	64	1.82	B81	KB	84	2.42	B116	KB	119	3.46	B240	KB	RP	243	7.10
B62	KB	65	1.84	B82	KB	85	2.45	B120	KB	123	3.58	B255	KB		258	7.60
B63	KB	66	1.87	B83	KB	86	2.48	B124	KB	127	3.70	B270	KB		273	7.99
B64	KB	67	1.90	B85	KB	88	2.54	B128	KB	131	3.82	B300	KB		303	8.89
B65	KB	68	1.93	B86	KB	89	2.57	B133	KB	136	3.97	B315	KB		318	9.33
B66	KB	69	1.96	B87	KB	90	2.60	B136	KB	139	4.05					

BANDED V-BELTS
CLASSICAL

C CLASSICAL PROFILE BANDED V-BELTS

PART NUMBER	AVAILABLE BELT TYPES	OUTSIDE LENGTH (IN)	WEIGHT (LBS)	PART NUMBER	AVAILABLE BELT TYPES	OUTSIDE LENGTH (IN)	WEIGHT (LBS)	PART NUMBER	AVAILABLE BELT TYPES	OUTSIDE LENGTH (IN)	WEIGHT (LBS)	PART NUMBER	AVAILABLE BELT TYPES	OUTSIDE LENGTH (IN)	WEIGHT (LBS)	
C81	KB	707	0.17	C112	KB	882	0.20	C173	KB	1030	0.24	C300	KB	1232	0.29	
C85	KB	732	0.17	C115	KB	900	0.21	C180	KB	1060	0.25	C315	KB	1250	0.29	
C90	KB	757	0.18	C120	KB	907	0.21	C195	KB	1082	0.25	C330	KB	1257	0.29	
C96	KB	782	0.18	C124	KB	932	0.22	C210	KB	1107	0.26	C345	KB	1272	0.30	
C99	KB	800	0.19	C128	KB	950	0.22	C225	KB	1120	0.26	C360	KB	1282	0.30	
C100	KB	807	0.19	C136	KB	957	0.22	C240	KB	1132	0.26	C390	KB	1307	0.31	
C105	KB	832	0.19	C144	KB	982	0.23	C255	KB	1157	0.27	C420	KB	1320	0.31	
C108	KB	850	0.20	C158	KB	1000	0.23	C270	KB	1180	0.28					
C109	KB	857	0.20	C162	KB	1007	0.24	C285	KB	1207	0.28					

D CLASSICAL PROFILE BANDED V-BELTS

PART NUMBER	AVAILABLE BELT TYPES	OUTSIDE LENGTH (IN)	WEIGHT (LBS)	PART NUMBER	AVAILABLE BELT TYPES	OUTSIDE LENGTH (IN)	WEIGHT (LBS)	PART NUMBER	AVAILABLE BELT TYPES	OUTSIDE LENGTH (IN)	WEIGHT (LBS)	PART NUMBER	AVAILABLE BELT TYPES	OUTSIDE LENGTH (IN)	WEIGHT (LBS)	
D105	KB	707	0.17	D173	KB	850	0.20	D270	KB	957	0.22	D390	KB	1107	0.26	
D120	KB	732	0.17	D180	KB	857	0.20	D285	KB	982	0.23	D420	KB	1120	0.26	
D128	KB	757	0.18	D195	KB	882	0.20	D300	KB	1000	0.23	D540	KB	1132	0.26	
D140	KB	782	0.18	D210	KB	900	0.21	D315	KB	1007	0.24	D600	KB	1157	0.27	
D144	KB	800	0.19	D225	KB	907	0.21	D330	KB	1030	0.24	D660	KB	1180	0.28	
D158	KB	807	0.19	D240	KB	932	0.22	D345	KB	1060	0.25					
D162	KB	832	0.19	D255	KB	950	0.22	D360	KB	1082	0.25					

D Section banded sizes must be ordered in full sleeve quantities (10 Ribs)

AVAILABLE V-BELT CONSTRUCTION TYPES

KB KB STANDARD BANDED V-BELT CONSTRUCTION

ORDERING EXAMPLES:

3/B116 KB (3 Ribs), 119" Outside Length

5/C81 KB (5 Ribs), 85" Outside Length

10/D345 KB (10 Ribs), 350" Outside Length

Contact an Optibelt representative regarding additional sizes, stock availability and pricing.

All weights are estimated per rib.

Additional sizes and stocking available.

Custom Sizes & Ordering

Additional stocked and custom sizes available. Contact customer service for details.

Need Help?

Contact Optibelt customer service. Our friendly staff is here to assist you.

TOLL FREE: 800-292-6081
E-mail: info@optibelt-usa.com

STANDARD BANDED V-BELTS

3V, 5V, & 8V PROFILES



3V STANDARD PROFILE BANDED V-BELTS

PART NUMBER	AVAILABLE BELT TYPES	OUTSIDE LENGTH (IN)	WEIGHT (LBS)	PART NUMBER	AVAILABLE BELT TYPES	OUTSIDE LENGTH (IN)	WEIGHT (LBS)	PART NUMBER	AVAILABLE BELT TYPES	OUTSIDE LENGTH (IN)	WEIGHT (LBS)	PART NUMBER	AVAILABLE BELT TYPES	OUTSIDE LENGTH (IN)	WEIGHT (LBS)
3V450	KB	45	0.61	3V630	KB RP	63	0.86	3V850	KB RP	85	1.16	3V1120	KB RP	112	1.53
3V475	KB	47.5	0.65	3V670	KB RP	67	0.91	3V900	KB RP	90	1.23	3V1180	KB RP	118	1.61
3V500	KB RP	50	0.68	3V710	KB RP	71	0.97	3V950	KB RP	95	1.30	3V1250	KB RP	125	1.71
3V530	KB RP	53	0.72	3V750	KB RP	75	1.02	3V1000	KB RP	100	1.36	3V1320	KB RP	132	1.80
3V560	KB RP	56	0.76	3V800	KB RP	80	1.09	3V1060	KB RP	106	1.45	3V1400	KB RP	140	1.91
3V600	KB RP	60	0.82												

5V STANDARD PROFILE BANDED V-BELTS

PART NUMBER	AVAILABLE BELT TYPES	OUTSIDE LENGTH (IN)	WEIGHT (LBS)	PART NUMBER	AVAILABLE BELT TYPES	OUTSIDE LENGTH (IN)	WEIGHT (LBS)	PART NUMBER	AVAILABLE BELT TYPES	OUTSIDE LENGTH (IN)	WEIGHT (LBS)	PART NUMBER	AVAILABLE BELT TYPES	OUTSIDE LENGTH (IN)	WEIGHT (LBS)
5V500	KB RP	50	0.42	5V850	KB RP BP	85	1.19	5V1400	KB RP BP	140	1.96	5V2360	KB RP BP	236	3.30
5V530	KB RP	53	0.74	5V900	KB RP BP	90	1.26	5V1500	KB RP BP	150	2.10	5V2500	KB RP BP	250	3.50
5V560	KB RP	56	0.78	5V950	KB RP BP	95	1.33	5V1600	KB RP BP	160	2.24	5V2650	KB RP BP	265	3.71
5V600	KB RP	60	0.84	5V1000	KB RP BP	100	1.40	5V1700	KB RP BP	170	2.38	5V2800	KB RP BP	280	3.92
5V630	KB RP	63	0.88	5V1060	KB RP BP	106	1.48	5V1800	KB RP BP	180	2.52	5V3000	KB RP BP	300	4.20
5V670	KB RP	67	0.94	5V1120	KB RP BP	112	1.57	5V1900	KB RP BP	190	2.66	5V3150	KB RP BP	315	4.41
5V710	KB RP	71	0.99	5V1180	KB RP BP	118	1.65	5V2000	KB RP BP	200	2.80	5V3350	KB	335	4.86
5V750	KB RP	75	1.05	5V1250	KB RP BP	125	1.75	5V2120	KB RP BP	212	2.97	5V3550	KB	355	5.32
5V800	KB RP BP	80	1.12	5V1320	KB RP BP	132	1.85	5V2240	KB RP BP	224	3.14				

8V STANDARD PROFILE BANDED V-BELTS

PART NUMBER	AVAILABLE BELT TYPES	OUTSIDE LENGTH (IN)	WEIGHT (LBS)	PART NUMBER	AVAILABLE BELT TYPES	OUTSIDE LENGTH (IN)	WEIGHT (LBS)	PART NUMBER	AVAILABLE BELT TYPES	OUTSIDE LENGTH (IN)	WEIGHT (LBS)	PART NUMBER	AVAILABLE BELT TYPES	OUTSIDE LENGTH (IN)	WEIGHT (LBS)
8V1000	KB RP BP	100	4.13	8V1600	KB RP BP	160	6.60	8V2500	KB RP BP	250	10.31	8V4000	KB RP BP	400	16.50
8V1060	KB RP BP	106	4.37	8V1700	KB RP BP	170	7.01	8V2650	KB RP BP	265	10.93	8V4250	KB RP BP	425	17.53
8V1120	KB RP BP	112	4.62	8V1800	KB RP BP	180	7.43	8V2800	KB RP BP	280	11.55	8V4500	KB RP BP	450	18.56
8V1180	KB RP BP	118	4.87	8V1900	KB RP BP	190	7.84	8V3000	KB RP BP	300	12.37	8V4750	KB RP BP	475	19.59
8V1250	KB RP BP	125	5.16	8V2000	KB RP BP	200	8.25	8V3150	KB RP BP	315	12.99	8V5000	KB	250	19.62
8V1320	KB RP BP	132	5.45	8V2120	KB RP BP	212	8.74	8V3350	KB RP BP	335	13.82	8V5600	KB	265	19.65
8V1400	KB RP BP	140	5.78	8V2240	KB RP BP	224	9.24	8V3550	KB RP BP	355	14.64	8V6000	KB	280	19.68
8V1500	KB RP BP	150	6.19	8V2360	KB RP BP	236	9.73	8V3750	KB RP BP	375	15.47				

AVAILABLE V-BELT CONSTRUCTION TYPES

- KB** KB STANDARD BANDED V-BELT CONSTRUCTION
- RP** RED POWER HIGH PERFORMANCE w/IMPROVED EFFICIENCY, HIGHER POWER CAPACITY, and NO RETENSION MAINTENANCE
- BP** BLUE POWER ARAMID CORD w/2X MORE POWER, SUPERIOR DURABILITY, and INCREASED LIFE

ORDERING EXAMPLES:

- 6/3V750** KB (6 Ribs), 75" Length
- 12/5VRP1900** RED POWER (12 Ribs), 190" Length
- 8/8VBP4250** BLUE POWER (8 Ribs), 425" Length

BANDED V-BELTS
STANDARD

<p>Need Help? Contact Optibelt customer service. Our friendly staff is here to assist you.</p> <p>TOLL FREE: 800-292-6081 E-mail: info@optibelt-usa.com</p>	<p>Custom Sizes & Ordering Additional stocked and custom sizes available. Contact customer service for details.</p>	<p>Contact an Optibelt representative regarding additional sizes, stock availability and pricing.</p> <p>All weights are estimated per rib.</p> <p>Additional sizes and stocking available.</p>
--	--	---



METRIC BANDED V-BELTS

SPZ, SPA, SPB, & SPC PROFILES

SPZ METRIC PROFILE BANDED V-BELTS

PART NUMBER	AVAILABLE BELT TYPES	DATUM LENGTH (MM)	WEIGHT (LBS)	PART NUMBER	AVAILABLE BELT TYPES	DATUM LENGTH (MM)	WEIGHT (LBS)	PART NUMBER	AVAILABLE BELT TYPES	DATUM LENGTH (MM)	WEIGHT (LBS)	PART NUMBER	AVAILABLE BELT TYPES	DATUM LENGTH (MM)	WEIGHT (LBS)
SPZ1250	KB	1250	0.66	SPZ1800	KB	1800	0.95	SPZ2360	KB	2360	1.25	SPZ3000	KB	3000	1.58
SPZ1400	KB	1400	0.74	SPZ1900	KB	1900	1.00	SPZ2500	KB	2500	1.32	SPZ3150	KB	3150	1.66
SPZ1500	KB	1500	0.79	SPZ2000	KB	2000	1.06	SPZ2650	KB	2650	1.40	SPZ3350	KB	3350	1.77
SPZ1600	KB	1600	0.84	SPZ2120	KB	2120	1.12	SPZ2800	KB	2800	1.48	SPZ3550	KB	3550	1.87
SPZ1700	KB	1700	0.90	SPZ2240	KB	2240	1.18								

SPA METRIC PROFILE BANDED V-BELTS

PART NUMBER	AVAILABLE BELT TYPES	DATUM LENGTH (MM)	WEIGHT (LBS)	PART NUMBER	AVAILABLE BELT TYPES	DATUM LENGTH (MM)	WEIGHT (LBS)	PART NUMBER	AVAILABLE BELT TYPES	DATUM LENGTH (MM)	WEIGHT (LBS)	PART NUMBER	AVAILABLE BELT TYPES	DATUM LENGTH (MM)	WEIGHT (LBS)
SPA1250	KB	1250	0.91	SPA1900	KB	1900	1.39	SPA2650	KB	2650	1.94	SPA3550	KB	3550	2.59
SPA1400	KB	1400	1.02	SPA2000	KB	2000	1.46	SPA2800	KB	2800	2.05	SPA3750	KB	3750	2.74
SPA1500	KB	1500	1.10	SPA2120	KB	2120	1.55	SPA3000	KB	3000	2.19	SPA4000	KB	4000	2.92
SPA1600	KB	1600	1.17	SPA2240	KB	2240	1.64	SPA3150	KB	3150	2.30	SPA4250	KB	4250	3.10
SPA1700	KB	1700	1.24	SPA2360	KB	2360	1.72	SPA3350	KB	3350	2.45	SPA4500	KB	4500	3.29
SPA1800	KB	1800	1.32	SPA2500	KB	2500	1.83								

SPB METRIC PROFILE BANDED V-BELTS

PART NUMBER	AVAILABLE BELT TYPES	DATUM LENGTH (MM)	WEIGHT (LBS)	PART NUMBER	AVAILABLE BELT TYPES	DATUM LENGTH (MM)	WEIGHT (LBS)	PART NUMBER	AVAILABLE BELT TYPES	DATUM LENGTH (MM)	WEIGHT (LBS)	PART NUMBER	AVAILABLE BELT TYPES	DATUM LENGTH (MM)	WEIGHT (LBS)
SPB2000	KB RP BP	2000	2.30	SPB3000	KB RP BP	3000	3.45	SPB4500	KB RP BP	4500	5.17	SPB6300	KB RP BP	6300	7.24
SPB2120	KB RP BP	2120	2.44	SPB3150	KB RP BP	3150	3.62	SPB4750	KB RP BP	4750	5.46	SPB6700	KB RP BP	6700	7.69
SPB2240	KB RP BP	2240	2.57	SPB3350	KB RP BP	3350	3.85	SPB5000	KB RP BP	5000	5.74	SPB7100	KB RP BP	7100	8.15
SPB2360	KB RP BP	2360	2.71	SPB3550	KB RP BP	3550	4.08	SPB5300	KB RP BP	5300	6.09	SPB7500	KB RP BP	7500	8.61
SPB2500	KB RP BP	2500	2.87	SPB3750	KB RP BP	3750	4.31	SPB5600	KB RP BP	5600	6.43	SPB8000	KB RP BP	8000	9.19
SPB2650	KB RP BP	2650	3.04	SPB4000	KB RP BP	4000	4.59	SPB6000	KB RP BP	6000	6.89				
SPB2800	KB RP BP	2800	3.22	SPB4250	KB RP BP	4250	4.88								

SPC METRIC PROFILE BANDED V-BELTS

PART NUMBER	AVAILABLE BELT TYPES	DATUM LENGTH (MM)	WEIGHT (LBS)	PART NUMBER	AVAILABLE BELT TYPES	DATUM LENGTH (MM)	WEIGHT (LBS)	PART NUMBER	AVAILABLE BELT TYPES	DATUM LENGTH (MM)	WEIGHT (LBS)	PART NUMBER	AVAILABLE BELT TYPES	DATUM LENGTH (MM)	WEIGHT (LBS)
SPC3000	KB RP BP	3000	7.33	SPC4250	KB RP BP	4250	10.38	SPC6000	KB RP BP	6000	14.65	SPC8000	KB RP BP	8000	19.54
SPC3150	KB RP BP	3150	7.69	SPC4500	KB RP BP	4500	10.99	SPC6300	KB RP BP	6300	15.38	SPC8500	KB RP BP	8500	20.76
SPC3350	KB RP BP	3350	8.18	SPC4750	KB RP BP	4750	11.60	SPC6700	KB RP BP	6700	16.36	SPC9000	KB RP BP	9000	21.98
SPC3550	KB RP BP	3550	8.67	SPC5000	KB RP BP	5000	12.21	SPC7100	KB RP BP	7100	17.34	SPC9500	RP BP	9500	10.93
SPC3750	KB RP BP	3750	9.16	SPC5300	KB RP BP	5300	12.94	SPC7500	KB RP BP	7500	18.32	SPC10000	RP BP	10000	11.50
SPC4000	KB RP BP	4000	9.77	SPC5600	KB RP BP	5600	13.68								

AVAILABLE V-BELT CONSTRUCTION TYPES

- KB** KB STANDARD BANDED V-BELT CONSTRUCTION
- RP** RED POWER HIGH PERFORMANCE w/IMPROVED EFFICIENCY, HIGHER POWER CAPACITY, and NO RETENSION MAINTENANCE

ORDERING EXAMPLES:

- 3/SPZ1600** KB (3 Ribs), 1600 mm Datum Length
- 6/SPCRP4750** RED POWER (6 Ribs), 4750 mm Datum Length

Contact an Optibelt representative regarding additional sizes, stock availability and pricing.

All weights are estimated per rib.

Additional sizes and stocking available.

Custom Sizes & Ordering

Additional stocked and custom sizes available. Contact customer service for details.

Need Help?

Contact Optibelt customer service. Our friendly staff is here to assist you.

TOLL FREE: 800-292-6081
E-mail: info@optibelt-usa.com

CLASSICAL & STANDARD COGGED BANDED V-BELTS

BX, 3V, & 5V PROFILES



BX CLASSICAL PROFILE COGGED, BANDED V-BELTS

PART NUMBER	AVAILABLE BELT TYPES	OUTSIDE LENGTH (IN)	WEIGHT (LBS)	PART NUMBER	AVAILABLE BELT TYPES	OUTSIDE LENGTH (IN)	WEIGHT (LBS)	PART NUMBER	AVAILABLE BELT TYPES	OUTSIDE LENGTH (IN)	WEIGHT (LBS)	PART NUMBER	AVAILABLE BELT TYPES	OUTSIDE LENGTH (IN)	WEIGHT (LBS)
BX55	KBX	58	1.61	BX66	KBX	69	1.93	BX80	KBX	83	2.33	BX103	KBX	106	2.98
BX58	KBX	61	1.70	BX68	KBX	71	1.98	BX85	KBX	88	2.47	BX105	KBX	108	3.04
BX59	KBX	62	1.73	BX70	KBX	73	2.04	BX90	KBX	93	2.61	BX108	KBX	111	3.13
BX60	KBX	63	1.76	BX75	KBX	78	2.18	BX93	KBX	96	2.69	BX112	KBX	115	3.24
BX61	KBX	64	1.78	BX77	KBX	80	2.23	BX95	KBX	98	2.75	BX116	KBX	119	3.35
BX62	KBX	65	1.81	BX78	KBX	81	2.27	BX97	KBX	100	2.81	BX124	KBX	127	3.57
BX65	KBX	68	1.90	BX79	KBX	82	2.29	BX100	KBX	103	2.90				

3VX STANDARD PROFILE COGGED, BANDED V-BELTS

PART NUMBER	AVAILABLE BELT TYPES	OUTSIDE LENGTH (MM)	WEIGHT (LBS)	PART NUMBER	AVAILABLE BELT TYPES	OUTSIDE LENGTH (MM)	WEIGHT (LBS)	PART NUMBER	AVAILABLE BELT TYPES	OUTSIDE LENGTH (MM)	WEIGHT (LBS)	PART NUMBER	AVAILABLE BELT TYPES	OUTSIDE LENGTH (MM)	WEIGHT (LBS)
3VX250	KBX	25	0.09	3VX400	KBX	40	0.14	3VX630	KBX	63	0.23	3VX1000	KBX	100	0.36
3VX265	KBX	26.5	0.10	3VX425	KBX	42.5	0.15	3VX670	KBX	67	0.24	3VX1060	KBX	106	0.38
3VX280	KBX	28	0.10	3VX450	KBX	45	0.16	3VX710	KBX	71	0.26	3VX1120	KBX	112	0.40
3VX300	KBX	30	0.11	3VX475	KBX	47.5	0.17	3VX750	KBX	75	0.27	3VX1180	KBX	118	0.42
3VX315	KBX	31.5	0.11	3VX500	KBX	50	0.18	3VX800	KBX	80	0.29	3VX1250	KBX	125	0.45
3VX335	KBX	33.5	0.12	3VX530	KBX	53	0.19	3VX850	KBX	85	0.31	3VX1320	KBX	132	0.48
3VX355	KBX	35.5	0.13	3VX560	KBX	56	0.20	3VX900	KBX	90	0.32	3VX1400	KBX	140	0.50
3VX375	KBX	37.5	0.14	3VX600	KBX	60	0.22	3VX950	KBX	95	0.34				

5VX STANDARD PROFILE COGGED, BANDED V-BELTS

PART NUMBER	AVAILABLE BELT TYPES	OUTSIDE LENGTH (IN)	WEIGHT (LBS)	PART NUMBER	AVAILABLE BELT TYPES	OUTSIDE LENGTH (IN)	WEIGHT (LBS)	PART NUMBER	AVAILABLE BELT TYPES	OUTSIDE LENGTH (IN)	WEIGHT (LBS)	PART NUMBER	AVAILABLE BELT TYPES	OUTSIDE LENGTH (IN)	WEIGHT (LBS)
5VX500	KBX	50	0.5	5VX750	KBX	75	0.75	5VX1060	KBX	106	1.06	5VX1500	KBX	150	1.5
5VX530	KBX	53	0.53	5VX800	KBX	80	0.8	5VX1120	KBX	112	1.12	5VX1600	KBX	160	1.6
5VX560	KBX	56	0.56	5VX850	KBX	85	0.85	5VX1180	KBX	118	1.18	5VX1700	KBX	170	1.7
5VX600	KBX	60	0.6	5VX900	KBX	90	0.9	5VX1250	KBX	125	1.25	5VX1800	KBX	180	1.8
5VX630	KBX	63	0.63	5VX950	KBX	95	0.95	5VX1320	KBX	132	1.32	5VX1900	KBX	190	1.9
5VX670	KBX	67	0.67	5VX1000	KBX	100	1	5VX1400	KBX	140	1.4	5VX2000	KBX	200	2
5VX710	KBX	71	0.71												

AVAILABLE V-BELT CONSTRUCTION TYPES

KBX KBX STANDARD COGGED, BANDED V-BELT CONSTRUCTION

ORDERING EXAMPLES:

6/BX66 KBX (6 Ribs), 69" Outside Length

12/3VX950 KBX (12 Ribs), 95" Outside Length

8/5VX1700 KBX (8 Ribs), 170" Outside Length

BANDED V-BELTS
COGGED (CLASS. & STD.)

Need Help?

Contact Optibelt customer service. Our friendly staff is here to assist you.

TOLL FREE: 800-292-6081
E-mail: info@optibelt-usa.com

Custom Sizes & Ordering

Additional stocked and custom sizes available. Contact customer service for details.

Contact an Optibelt representative regarding additional sizes, stock availability and pricing.

All weights are estimated per rib.

Additional sizes and stocking available.

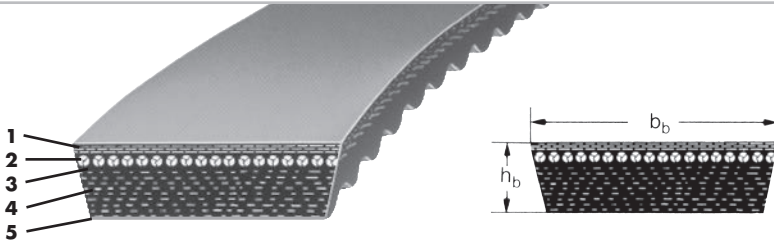


VARIABLE SPEED V-BELTS

VARIO POWER

VARIO POWER are the preferred choice for demanding infinite variable speed control drives. The unique belt structure is designed to handle highly dynamic loads and transfer more power than conventional variable-speed belts.

- **Performance:** Capable of transferring heavy loads.
- **Extended Life:** Low-stretch fiberglass cords resist stretching and specialized abrasion-resistant bonded fabric cover for longer belt life.
- **Temperature Range:** Increased ranges from -22 to 212°F.
- **Increased Flex Range:** Capable of running on smaller sheaves than conventional variable speed belts.



1. Belt outer surface 2. Fiberglass tension cord 3. Cushion compound
4. Fiber reinforced core 5. Wrapped molded cogs

NOMINAL DIMENSIONS OF US STANDARD

SECTION	b _b		h _b	
	(IN)	(MM)	(IN)	(MM)
1422 V	0.88	22.35	0.31	7.87
1922 V	1.19	30.23	0.38	9.65
2322 V	1.44	36.58	0.44	11.18
1926 V	1.19	30.23	0.44	11.18
2926 V	1.81	45.97	0.5	12.7
3226 V	2.00	50.80	0.53	13.46
2530 V	1.56	39.62	0.59	14.99
3230 V	2.00	60.80	0.62	15.75
4430 V	2.75	69.85	0.69	17.53
4036 V	2.50	63.50	0.69	17.53
4436 V	2.75	69.85	0.72	18.29
4836 V	3.00	76.20	0.75	19.05

ORDERING GUIDE (US STANDARD)

The belt number is a complete description of the belt. For example: 4430V970

44 Top width in 16ths of an inch: 48/16" = 3

30 Angle of sheave groove = 30°

V Indicates "Variable Speed"

970 Pitch Length in 10th's of an inch = 97"

VARIO POWER STANDARD PROFILE VARIABLE SPEED MOLDED, COGGED BELTS

PART NO.	PART NO.	PART NO.	PART NO.	PART NO.	PART NO.	PART NO.	PART NO.
1422V235	1922V332	1922V544	2322V364	2330V273	2926V586	3226V663	4430V690
1422V300	1922V338	1922V604	2322V421	2430V345	2926V606	3226V783	4430V700
1422V360	1922V363	1926V427	2322V441	2530V660	2926V666	3230HV821	4430V730
1422V420	1922V403	2230V273	2322V481	2530V670	2926V686	3230HV856	4430V790
1422V660	1922V426	2230V275	2322V521	2830V363	2926V834	3230HV931	4430V850
1430V215	1922V443	2230V285	2322V541	2830V367	3226V392	3432V456	4430V970
1628V210	1922V454	2230V326	2322V601	2830V393	3226V514	4230V556	
1922V298	1922V484	2322V329	2322V681	2926V486	3226V585	4430V610	
1922V321	1922V526	2322V347	2326V310	2926V521	3226V603	4430V630	

ADDITIONAL SIZES AVAILABLE. CONTACT CUSTOMER SERVICE FOR DETAILS.

Contact an Optibelt representative regarding additional sizes, stock availability and pricing.

All weights are estimated per rib.

Additional sizes and stocking available.

Custom Sizes & Ordering

Minimum production quantity applies.

Contact customer service for maximum manufacturing lengths and details.

Need Help?

Contact Optibelt customer service. Our friendly staff is here to assist you.

TOLL FREE: 800-292-6081
E-mail: info@optibelt-usa.com



VARIO POWER METRIC PROFILE VARIABLE SPEED BELTS

PART NUMBER	SECTION W x D (MM)	INSIDE LENGTH (MM)	PART NUMBER	SECTION W x D (MM)	INSIDE LENGTH (MM)	PART NUMBER	SECTION W x D (MM)	INSIDE LENGTH (MM)	PART NUMBER	SECTION W x D (MM)	INSIDE LENGTH (MM)
13X5X468	13 x 5	468	28X8X600	28 x 8	600	32X10X850	32 x 10	850	41X13X1740	41 x 13	1740
13X5X500	13 x 5	500	28X8X650	28 x 8	650	32X10X900	32 x 10	900	41X13X1940	41 x 13	1940
17X5X426	17 x 5	426	28X8X700	28 x 8	700	32X10X950	32 x 10	950	47X13X1000	47 x 13	1000
17X5X476	17 x 5	476	28X8X750	28 x 8	750	32X10X1000	32 x 10	1000	47X13X1060	47 x 13	1060
17X5X536	17 x 5	536	28X8X800	28 x 8	800	32X10X1073	32 x 10	1073	47X13X1120	47 x 13	1120
17X5X570	17 x 5	570	28X8X850	28 x 8	850	32X10X1120	32 x 10	1120	47X13X1180	47 x 13	1180
17X5X606	17 x 5	606	28X8X900	28 x 8	900	32X10X1180	32 x 10	1180	47X13X1250	47 x 13	1250
17X5X776	17 x 5	776	28X8X950	28 x 8	950	32X10X1200	32 x 10	1200	47X13X1320	47 x 13	1320
21X6X530	21 x 6	530	28X8X1000	28 x 8	1000	32X10X1353	32 x 10	1353	47X13X1400	47 x 13	1400
21X6X600	21 x 6	600	28X8X1060	28 x 8	1060	37X10X660	37 x 10	660	47X13X1500	47 x 13	1500
21X6X610	21 x 6	610	28X8X1120	28 x 8	1120	37X10X800	37 x 10	800	47X13X1600	47 x 13	1600
21X6X675	21 x 6	675	28X8X1180	28 x 8	1180	37X10X850	37 x 10	850	47X13X1700	47 x 13	1700
21X6X770	21 x 6	770	28X8X1250	28 x 8	1250	37X10X900	37 x 10	900	47X13X1800	47 x 13	1800
21X6X870	21 x 6	870	28X8X1320	28 x 8	1320	37X10X950	37 x 10	950	52X16X1180	52 x 16	1180
21X6X970	21 x 6	970	28X8X1400	28 x 8	1400	37X10X1000	37 x 10	1000	52X16X1250	52 x 16	1250
21X6X1220	21 x 6	1220	28X8X1450	28 x 8	1450	37X10X1020	37 x 10	1020	52X16X1325	52 x 16	1325
22X8X485	22 x 8	485	28X8X1500	28 x 8	1500	37X10X1060	37 x 10	1060	52X16X1400	52 x 16	1400
22X8X525	22 x 8	525	30X10X650	30 x 10	650	37X10X1120	37 x 10	1120	52X16X1525	52 x 16	1525
22X8X565	22 x 8	565	30X10X665	30 x 10	665	37X10X1180	37 x 10	1180	52X16X1600	52 x 16	1600
22X8X650	22 x 8	650	30X10X700	30 x 10	700	37X10X1250	37 x 10	1250	52X16X1725	52 x 16	1725
22X8X700	22 x 8	700	30X10X800	30 x 10	800	37X10X1320	37 x 10	1320	52X16X1925	52 x 16	1925
22X8X750	22 x 8	750	30X10X850	30 x 10	850	37X10X1400	37 x 10	1400	52X16X2165	52 x 16	2165
22X8X800	22 x 8	800	30X10X875	30 x 10	875	37X10X1500	37 x 10	1500	52X16X2240	52 x 16	2240
22X8X850	22 x 8	850	30X10X900	30 x 10	900	37X10X1600	37 x 10	1600	55X16X1400	55 x 16	1400
22X8X900	22 x 8	900	30X10X950	30 x 10	950	37X10X1700	37 x 10	1700	55X16X1500	55 x 16	1500
22X8X950	22 x 8	950	30X10X1000	30 x 10	1000	37X10X1800	37 x 10	1800	55X16X1600	55 x 16	1600
22X8X1000	22 x 8	1000	30X10X1035	30 x 10	1035	41X13X925	41 x 13	925	55X16X1700	55 x 16	1700
22X8X1060	22 x 8	1060	30X10X1050	30 x 10	1050	41X13X1000	41 x 13	1000	55X16X1800	55 x 16	1800
22X8X1185	22 x 8	1185	30X10X1120	30 x 10	1120	41X13X1040	41 x 13	1040	65X20X1706	65 x 20	1706
26X8X655	26 x 8	655	30X10X1200	30 x 10	1200	41X13X1060	41 x 13	1060	65X20X1906	65 x 20	1906
26X8X672	26 x 8	672	30X10X1320	30 x 10	1320	41X13X1120	41 x 13	1120	70X18X1600	70 x 18	1600
26X8X710	26 x 8	710	30X10X1340	30 x 10	1340	41X13X1180	41 x 13	1180	70X18X1700	70 x 18	1700
26X8X750	26 x 8	750	30X10X1500	30 x 10	1500	41X13X1190	41 x 13	1190	70X18X1800	70 x 18	1800
26X8X762	26 x 8	762	30X10X1600	30 x 10	1600	41X13X1250	41 x 13	1250	70X18X1900	70 x 18	1900
26X8X800	26 x 8	800	32X10X750	32 x 10	750	41X13X1340	41 x 13	1340	70X18X2000	70 x 18	2000
26X8X862	26 x 8	862	32X10X790	32 x 10	790	41X13X1440	41 x 13	1440	70X18X2240	70 x 18	2240
26X8X962	26 x 8	962	32X10X820	32 x 10	820	41X13X1600	41 x 13	1600	70X18X2500	70 x 18	2500
26X8X1082	26 x 8	1082									

SPECIALTY BELTS
VARIO POWER

<p>Need Help? Contact Optibelt customer service. Our friendly staff is here to assist you.</p> <p>TOLL FREE: 800-292-6081 E-mail: info@optibelt-usa.com</p>	<p>Custom Sizes & Ordering</p> <p>Minimum production quantity applies.</p> <p>Contact customer service for maximum manufacturing lengths and details.</p>	<p>Contact an Optibelt representative regarding additional sizes, stock availability and pricing.</p> <p>All weights are estimated per rib.</p> <p>Additional sizes and stocking available.</p>
--	--	---



DOUBLE V-BELTS

AA, BB, & CC PROFILES

DUAL SIDED V-BELTS

AA CLASSICAL PROFILE DUAL SIDED V-BELTS

PART NUMBER	AVAILABLE BELT TYPES	WEIGHT (LBS)	PART NUMBER	AVAILABLE BELT TYPES	WEIGHT (LBS)	PART NUMBER	AVAILABLE BELT TYPES	WEIGHT (LBS)	PART NUMBER	AVAILABLE BELT TYPES	WEIGHT (LBS)
AA51	DK	0.41	AA68	DK	0.55	AA90	DK	0.72	AA112	DK	0.90
AA55	DK	0.44	AA70	DK	0.56	AA92	DK	0.74	AA118	DK	0.94
AA60	DK	0.48	AA75	DK	0.60	AA96	DK	0.77	AA120	DK	0.96
AA64	DK	0.51	AA80	DK	0.64	AA105	DK	0.84	AA128	DK	1.02
AA66	DK	0.53	AA85	DK	0.68	AA108	DK	0.86	AA148	DK	1.18

BB CLASSICAL PROFILE DUAL SIDED V-BELTS

PART NUMBER	AVAILABLE BELT TYPES	WEIGHT (LBS)	PART NUMBER	AVAILABLE BELT TYPES	WEIGHT (LBS)	PART NUMBER	AVAILABLE BELT TYPES	WEIGHT (LBS)	PART NUMBER	AVAILABLE BELT TYPES	WEIGHT (LBS)
BB42	DK	0.59	BB90	DK	1.26	BB116	DK	1.62	BB168	DK	2.35
BB43	DK	0.60	BB91	DK	1.27	BB117	DK	1.64	BB169	DK	2.37
BB45	DK	0.63	BB92	DK	1.29	BB118	DK	1.65	BB173	DK	2.42
BB53	DK	0.74	BB93	DK	1.30	BB120	DK	1.68	BB180	DK	2.52
BB55	DK	0.77	BB94	DK	1.32	BB123	DK	1.72	BB182	DK	2.55
BB60	DK	0.84	BB95	DK	1.33	BB124	DK	1.74	BB190	DK	2.66
BB68	DK	0.95	BB96	DK	1.34	BB125	DK	1.75	BB195	DK	2.73
BB71	DK	0.99	BB97	DK	1.36	BB128	DK	1.79	BB210	DK	2.94
BB72	DK	1.01	BB100	DK	1.40	BB129	DK	1.81	BB226	DK	3.16
BB73	DK	1.02	BB103	DK	1.44	BB130	DK	1.82	BB228	DK	3.19
BB74	DK	1.04	BB105	DK	1.47	BB133	DK	1.86	BB230	DK	3.22
BB75	DK	1.05	BB107	DK	1.50	BB136	DK	1.90	BB240	DK	3.36
BB76	DK	1.06	BB108	DK	1.51	BB144	DK	2.02	BB270	DK	3.78
BB81	DK	1.13	BB111	DK	1.55	BB155	DK	2.17	BB277	DK	3.88
BB83	DK	1.16	BB112	DK	1.57	BB158	DK	2.21	BB300	DK	4.20
BB85	DK	1.19	BB115	DK	1.61	BB162	DK	2.27			

CC CLASSICAL PROFILE DUAL SIDED V-BELTS

PART NUMBER	AVAILABLE BELT TYPES	WEIGHT (LBS)	PART NUMBER	AVAILABLE BELT TYPES	WEIGHT (LBS)	PART NUMBER	AVAILABLE BELT TYPES	WEIGHT (LBS)	PART NUMBER	AVAILABLE BELT TYPES	WEIGHT (LBS)
CC75	DK	1.73	CC120	DK	2.76	CC180	DK	4.14	CC270	DK	6.21
CC81	DK	1.86	CC128	DK	2.94	CC193	DK	4.44	CC300	DK	6.9
CC85	DK	1.96	CC136	DK	3.13	CC195	DK	4.49	CC330	DK	7.59
CC90	DK	2.07	CC144	DK	3.31	CC204	DK	4.69	CC360	DK	8.28
CC96	DK	2.21	CC158	DK	3.63	CC210	DK	4.83	CC390	DK	8.97
CC105	DK	2.42	CC162	DK	3.73	CC240	DK	5.52	CC420	DK	9.66
CC112	DK	2.58	CC173	DK	3.98						

ADDITIONAL SIZES AVAILABLE. CONTACT CUSTOMER SERVICE FOR DETAILS.

Contact an Optibelt representative regarding additional sizes, stock availability and pricing.

All weights are estimated per rib.

Additional sizes and stocking available.

Custom Sizes & Ordering

Minimum production quantity applies.

Contact customer service for maximum manufacturing lengths and details.

Need Help?

Contact Optibelt customer service. Our friendly staff is here to assist you.

TOLL FREE: 800-292-6081
E-mail: info@optibelt-usa.com

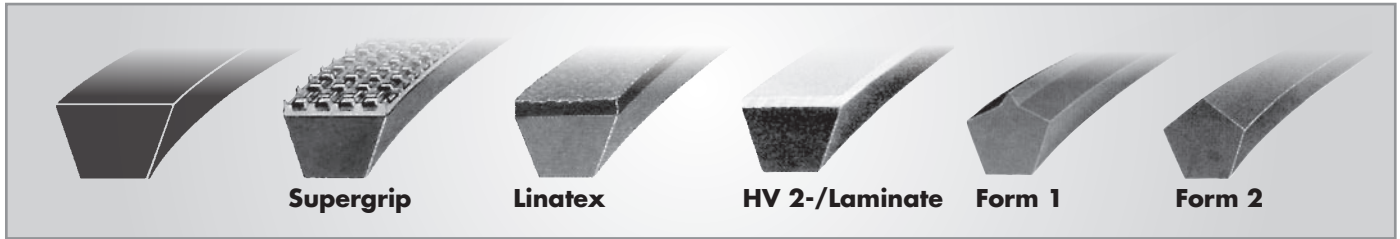
SPECIALTY BELTS
DOUBLE V-BELTS

POLYURETHANE V-BELTS & ROUND BELTS

KK & RR



KK POLYURETHANE V-BELTS



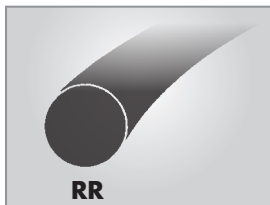
V-BELT SECTION	HEIGHT X WIDTH (IN)	WIDTH X HEIGHT (MM)	ROLL LENGTH (M/FT)	WEIGHT (= KG/M)	SECTION	TRANS 87 SHORE A	WHITE 92 SHORE A	WHITE 98 SHORE A	SUPER GRIP	LINATEX	HV2 LAMINATE	FORM 1	FORM 2
8		5 x 8	50/164	0.041	8		•		N/S	N/S	N/S		
Z/10		10 x 6	50/164	0.055	Z/10	•	•		•	•	N/S		
A/13	1/2 x 11/32	13 x 8	50/164	0.098	A/13	•	•	•	•	•	N/S	N/S	N/S
B/17	21/32 x 7/16	17 x 11	50/164	0.173	B/17	•	•	•	•	•	N/S	N/S	N/S
C/22	7/8 x 9/16	22 x 14	25/ 82	0.275	C/22	•	•		N/S	N/S	N/S	N/S	N/S

CONVEYOR RIDGED-BACK V-BELTS	DIAMETER (MM)	ROLL LENGTH (M/FT)
FORM 1	A/13	25/82
FORM 2	A/13	25/82
FORM 1	B/17	25/82
FORM 2	B/17	25/82
FORM 1	C/22	25/82
FORM 2	C/22	25/82

• Standard Stock, N/S Non-Stocked (min. quantity ordering)

-Orange, 87 Shore A -Red, 92 Shore A -White, 92 Shore A
-White, 98 Shore A - Supergrip, Green PVC -HV-2 laminate, transparent

RR POLYURETHANE ROUND BELTS



SECTION & DIA. (MM)	ROLL LENGTH M/FT	WEIGHT (= KG/M)	BLACK 65 SHORE A	YELLOW 82 SHORE A	BLUE 85 FDA SHORE A	GREEN SMOOTH 88 SHORE A	GREEN ROUGH 88 SHORE A	WHITE 92 SHORE A	BLUE 98 SHORE A
2 MM	200 M/656 FT	.004		N/S	N/S	•	•	N/S	N/S
3 MM	200 M/656 FT	.009		N/S	N/S	•	•	N/S	N/S
4 MM	200 M/656 FT	.016		N/S	N/S	•	•	N/S	N/S
5 MM	200 M/656 FT	.024		N/S	N/S	•	•	N/S	N/S
6 MM	100 M/328 FT	.035	N/S	N/S	N/S	•	•	N/S	N/S
7 MM	100 M/328 FT	.048	N/S	N/S	N/S	•	•	N/S	N/S
8 MM	100 M/328 FT	.064	N/S	N/S	N/S	•	•	N/S	N/S
10 MM	100 M/328 FT	.096	N/S	N/S	N/S	•	•	N/S	N/S
12 MM	50 M/164 FT	.132	N/S	N/S	N/S	•	•	N/S	N/S
15 MM	50 M/164 FT	.211		N/S	N/S	•	•	N/S	N/S
18 MM	50 M/164 FT	.305				•	•	N/S	N/S



SECTION & DIA. (MM)	ROLL LENGTH M/FT	WEIGHT (= KG/M)	BLACK 65 SHORE A	YELLOW 82 SHORE A	BLUE 85 FDA SHORE A	GREEN SMOOTH 88 SHORE A	GREEN ROUGH 88 SHORE A	WHITE 92 SHORE A	BLUE 98 SHORE A
6 MM	100 M/328 FT	.035	N/S	N/S	N/S	N/S	N/S	N/S	N/S
7 MM	100 M/328 FT	.048	N/S	N/S	N/S	N/S	N/S	N/S	N/S
8 MM	100 M/328 FT	.064	N/S	N/S	N/S	N/S	N/S	N/S	N/S
10 MM	100 M/328 FT	.096	N/S	N/S	N/S	N/S	N/S	N/S	N/S
12 MM	50 M/164 FT	.132	N/S	N/S	N/S	N/S	N/S	N/S	N/S
15 MM	50 M/164 FT	.211	N/S	N/S	N/S	N/S	N/S	N/S	N/S

RR PLUS products have tension cords.

• Standard Stock, N/S Non-Stocked (min. quantity ordering)

SPECIALTY BELTS
POLYURETHANE V-BELT &
ROUND BELTS

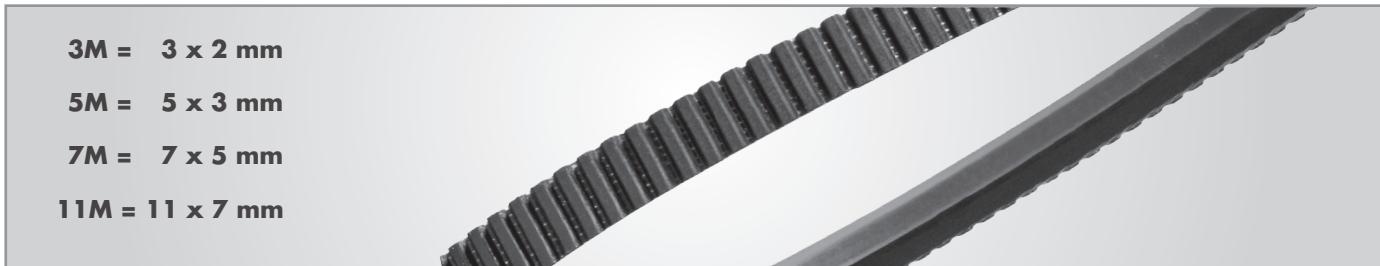


WIDE ANGLE (60°) V-BELT

3M, 5M, 7M, & 11M PROFILES

POLYURETHANE

WR WIDE ANGLE V-BELTS



3M = 3 x 2 mm

5M = 5 x 3 mm

7M = 7 x 5 mm

11M = 11 x 7 mm

SPECIALTY BELTS
WIDE ANGLE V-BELTS

OUTSIDE LENGTH (MM)	3M	5M	7M	11M	OUTSIDE LENGTH (MM)	3M	5M	7M	11M	OUTSIDE LENGTH (MM)	3M	5M	7M	11M
180	•				425	•	•			1000		•	•	•
185	•				437	•	•			1030		•	•	•
190	•				450	•	•			1060		•	•	•
195	•				462	•	•			1090		•	•	•
200	•				475	•	•			1120		•	•	•
206	•				487	•	•			1150		•	•	•
212	•				500	•	•	•		1180		•	•	•
218	•				515	•	•	•		1220		•	•	•
224	•				530	•	•	•		1250		•	•	•
230	•				545	•	•	•		1280		•	•	•
236	•				560	•	•	•		1320		•	•	•
243	•				580	•	•	•		1360		•	•	•
250	•				600	•	•	•		1400		•	•	•
258	•				615	•	•	•		1450		•	•	•
265	•				630	•	•	•		1500		•	•	•
272	•				650	•	•	•		1550		•	•	•
280	•	•			670	•	•	•		1600		•	•	•
290	•	•			690	•	•	•		1650		•	•	•
300	•	•			710	•	•	•	•	1700		•	•	•
307	•	•			730	•	•	•	•	1750		•	•	•
315	•	•			750	•	•	•	•	1800		•	•	•
325	•	•			775		•	•	•	1850		•	•	•
335	•	•			800		•	•	•	1900		•	•	•
345	•	•			825		•	•	•	1950		•	•	•
355	•	•			850		•	•	•	2000		•	•	•
365	•	•			875		•	•	•	2060		•	•	•
375	•	•			900		•	•	•	2120		•	•	•
387	•	•			925		•	•	•	2180		•	•	•
400	•	•			950		•	•	•	2240		•	•	•
412	•	•			975		•	•	•	2300		•	•	•

• Standard Stock

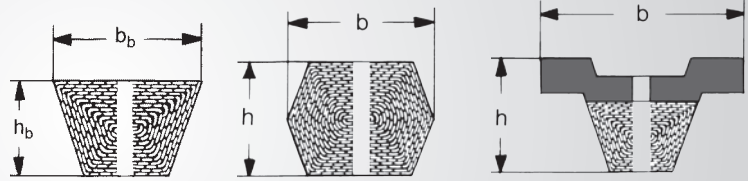
<p>Contact an Optibelt representative regarding additional sizes, stock availability and pricing.</p> <p>All weights are estimated per rib.</p> <p>Additional sizes and stocking available.</p>	<p>Custom Sizes & Ordering</p> <p>Minimum production quantity applies.</p> <p>Contact customer service for maximum manufacturing lengths and details.</p>	<p>Need Help?</p> <p>Contact Optibelt customer service. Our friendly staff is here to assist you.</p> <p>TOLL FREE: 800-292-6081 E-mail: info@optibelt-usa.com</p>
---	--	---



OE, DK, & FK OPEN-ENDED V-BELTS

**OPTIMAT
OPEN-ENDED V-BELTS, PUNCHED**

This oil and heat resistant open-ended V-belt can be fitted quickly. Easy to use belt connectors ensure ease of installation.



PROFILES: OE DK FK

OE SECTIONS	Y/6	8	Z/10	A/13	B/17	20	C/22	25	D/32	E/40
HEIGHT of belt h (mm)	4.0	5.0	6.0	8.0	11.0	12.5	14.0	16.0	20.0	25.0
WIDTH of Belt b (mm)	6.0	8.0	10.0	13.0	17.0	20.0	22.0	25.0	32.0	40.0
WEIGHT (kg/m)	0.03	0.05	0.07	0.12	0.20	0.27	0.34	0.44	0.68	1.00
MAX. FABRICATION LENGTH (in)	1,950	1,950	1,950	1,950	1,950	1,950	1,950	1,950	1,950	1,950
STANDARD GREEN	•	•	•	•	•	•	•	•	•	N/S
POLYESTER RED	•	•	•	•	•	•	•	N/S	N/S	N/S

DK SECTIONS	AA/13	BB/17	CC/22
HEIGHT of belt h (mm)	10.5	14.0	18.0
WIDTH of Belt b (mm)	13.0	17.0	22.0
WEIGHT (kg/m)	0.14	0.25	0.41
MAX. FABRICATION LENGTH (in)	1,950	1,950	1,950
STANDARD GREEN	•	•	•

FK SECTIONS	13X20	17X30	22X40
HEIGHT of belt h (mm)	16.5	20.0	24.0
WIDTH of Belt b (mm)	20.0	30.0	40.0
WEIGHT (kg/m)	0.32	0.46	0.74
MAX. FABRICATION LENGTH (in)	1,950	1,950	1,950
STANDARD GREEN	•	•	•
STANDARD BROWN	•	•	•
STANDARD WHITE	N/S	N/S	N/S
POLYESTER BROWN	N/S	N/S	N/S
POLYESTER WHITE	N/S	N/S	N/S

• Standard Stock, N/S Non-Stocked (min. quantity ordering)

SPECIALTY BELTS
OPEN-ENDED V-BELTS

OPTIMAT OE DK FK CONNECTORS

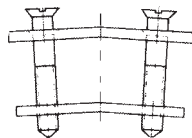
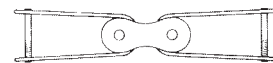


PLATE CONNECTOR

Ideal for applications where belt link stiffness is not an issue.



LINK CONNECTOR

Ideal for applications where joint stiffness with the connector could cause belt failure.

**Specialized constructions available. Minimum quantities apply.
Contact a Customer Service for more information.**

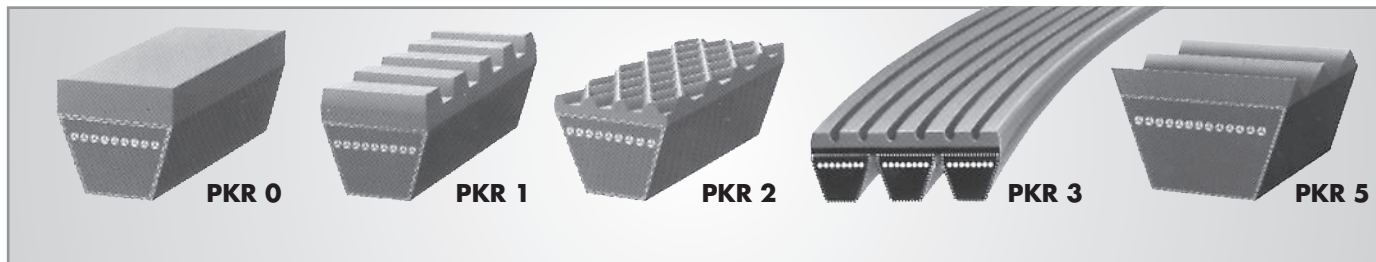


ENDLESS V-BELT

PKR

PATTERN TOP SURFACES

PKR ENDLESS V-BELTS



PART NO.	PATTERN HEIGHT		PITCH (MM)	GROOVE WIDTH (IN)
	STD. (IN) / (MM)	MAX. (IN)		
PKR 0	0.12 / 3.048	0.20 / 5.08	—	—
PKR 1	0.12 / 3.048	0.20 / 5.08	0.40 / 10.16	—
PKR 2	0.12 / 3.048	0.20 / 5.08	—	—
PKR 3 KRAFTBAND	0.20 / 5.08	—	—	0.15 / 3.81
PKR 5	0.20 / 5.08	—	0.51 / 12.954	—

QUALITY / COLOR	TEMPERATURE RESISTANCE (°F)	PITCH (MM)	OIL RESISTANCE	MARKING
SBR-NR/LIGHT COLORED	-40 to +158	55	NO	NO
CR/BLACK	-13 to +212	65	LIMITED	YES

SBR: Styrene Butadiene Rubber NR: Natural Rubber CR: Chloroprene Rubber

ADDITIONAL HEIGHT PATTERNS				3 OR 5 MM ABOVE STANDARD					
SECTION	STD. HGHT (MM)	STANDARD INSIDE LENGTH (MM)		PATTERNS				MIN. ORDER QUANTITIES APPLY	
				PKR 0	PKR 1	PKR 2	PKR 3	STANDARD RANGE (47 to 50)	INTERMEDIATE RANGE
A/13	8	1200	5000 ¹	•	•	•	—	20 PCS., PKR 0 18 PCS.	60 PCS., PKR 0 31 PCS.
B/17	11	1200	7100 ¹	•	•	•	—	15 PCS.	50 PCS.
20	12.5	1850	8000 ²	•	•	•	—	13 PCS.	21 PCS.
C/22	14	1850	10000 ²	•	•	•	—	12 PCS.	57 PCS.
25	16	1850	10000 ²	•	•	•	—	11 PCS.	51 PCS.
D/32	20	2850	12500 ²	•	•	•	• ³	9 PCS.	22 PCS.
E/40	25	—	—	—	—	—	—	REQUEST	REQUEST

STD. HEIGHT PATTERNS			
STANDARD INSIDE LENGTH (MM)	PATTERN TYPE		MIN. QTY.
	PKR 0	PKR 2	
3550 ≤ 10000 ¹	•	•	10
3850 ≤ 21000 ¹	•	•	10
3550 ≤ 21000 ¹	•	•	8
3550 ≤ 21000 ¹	•	•	8
2850 ≤ 21000 ¹	•	•	8
2850 ≤ 21000 ¹	•	•	6
4000 ≤ 21000 ¹	•	•	5

CR/black on request

¹ Maximum production length on request. ² Maximum production length 21,000 mm 2/10 on special request. ³ Only available in CR/black

When ordering, please state the overall height of the belt including top surface. This is indicated by the section designation as follows:

Section B/17 – top surface within the standard height = 17 x 11
 Section B/17 – with additional 3 mm top surface = 17 x 14
 Section B/17 – with additional 5 mm top surface = 17 x 16

SPECIALTY BELTS
ENDLESS V-BELTS

KB KRAFTBANDS WITH PATTERNED TOP SURFACE

SECTION	BELT DIMENSION W x H (IN)	KRAFTBAND HEIGHT W/O TOP SURFACE (IN) / (MM)	LENGTH (IN)	MAXIMUM PRODUCTION LENGTH (IN)	PATTERNS			
					PKR 0	PKR 1	PKR 2	PKR 3
3V	0.35 x 0.31	0.39 / 9.906	50 ≤ 140 L ₀	167	•	—	—	—
5V	0.59 x 0.51	0.59 / 14.986	50 ≤ 355 L ₀	394	•	—	—	—
8V	0.98 x 0.91	1 / 25.4	100 ≤ 475 L ₀	590	•	—	—	—
A	0.51 x 0.31	0.39 / 9.906	49 ≤ 196 L ₁	394	•	—	—	—
			110 ≤ 394 L ₁	REQUEST MAX.	—	—	—	•
B	0.67 x 0.43	0.51 / 12.954	110 ≤ 394 L ₁	394	•	•	•	—
C	0.87 x 0.55	0.64 / 16.256	75 ≤ 279 L ₁	394	•	—	—	—

Additional top surfaces are available. Minimum quantities apply. Contact a Customer Service for more information.



CONVEYOR POWER VB

- Long length B Profile V-belts
- High-flex cords reduce heat and flex fatigue.
- Rubber compound flexes for curved conveyors
- Durable low dust cover keeps facilities cleaner.
- Operational temperature range -22°F to +158°F.



DRIVE CONFIGURATION

CONVEYOR POWER V-belts are engineered for today's modern distribution and fulfillment centers. The long length B profile V-belts run on pulleys under the conveyor rollers. This drive configuration is unique because the top of the V-belt is what rotates the rollers. The added friction, results in a high V-belt cover wear rate that causes dust accumulation. CONVEYOR POWER's unique cover substantially reduces this cover wear rate and subsequent dust accumulation. In addition, CONVEYOR POWER's rubber compound flexes enough to handle curved conveyor applications.

SPECIALTY BELTS
CONVEYOR POWER

B CLASSICAL PROFILE

PART NUMBER	OUTSIDE LENGTH (IN)	WEIGHT (LBS)	PART NUMBER	OUTSIDE LENGTH (IN)	WEIGHT (LBS)	PART NUMBER	OUTSIDE LENGTH (IN)	WEIGHT (LBS)	PART NUMBER	OUTSIDE LENGTH (IN)	WEIGHT (LBS)	PART NUMBER	OUTSIDE LENGTH (IN)	WEIGHT (LBS)	PART NUMBER	OUTSIDE LENGTH (IN)	WEIGHT (LBS)
BCP69	72	0.69	BCP166	169	1.66	BCP254	257	2.54	BCP360	363	3.6	BCP460	463	4.6	BCP575	578	5.75
BCP90	93	0.9	BCP173	176	1.73	BCP255	258	2.55	BCP366	369	3.66	BCP465	468	4.65	BCP590	593	5.9
BCP112	115	1.12	BCP180	183	1.8	BCP270	273	2.7	BCP372	375	3.72	BCP473	476	4.73	BCP603	606	6.03
BCP116	119	1.16	BCP190	193	1.9	BCP274	277	2.74	BCP375	378	3.75	BCP475	478	4.75	BCP605	608	6.05
BCP120	123	1.2	BCP192	195	1.92	BCP278	281	2.78	BCP380	383	3.8	BCP482	485	4.82	BCP615	618	6.15
BCP124	127	1.24	BCP195	198	1.95	BCP280	283	2.8	BCP386	389	3.86	BCP490	493	4.9	BCP618	621	6.18
BCP128	131	1.28	BCP196	199	1.96	BCP285	288	2.85	BCP390	393	3.9	BCP494	497	4.94	BCP630	633	6.3
BCP133	136	1.33	BCP205	208	2.05	BCP289	292	2.89	BCP398	401	3.98	BCP500	503	5	BCP632	635	6.32
BCP135	138	1.35	BCP210	213	2.1	BCP295	298	2.95	BCP404	407	4.04	BCP515	518	5.15	BCP645	648	6.45
BCP136	139	1.36	BCP213	216	2.13	BCP300	303	3	BCP416	419	4.16	BCP522	525	5.22	BCP648	651	6.48
BCP140	143	1.4	BCP215	218	2.15	BCP308	311	3.08	BCP420	423	4.2	BCP525	528	5.25	BCP660	663	6.6
BCP144	147	1.44	BCP225	228	2.25	BCP315	318	3.15	BCP430	433	4.3	BCP530	533	5.3	BCP675	678	6.75
BCP148	151	1.48	BCP232	235	2.32	BCP320	323	3.2	BCP431	434	4.31	BCP543	546	5.43			
BCP150	153	1.5	BCP234	237	2.34	BCP330	333	3.3	BCP436	439	4.36	BCP545	548	5.45			
BCP154	157	1.54	BCP235	238	2.35	BCP331	334	3.31	BCP445	448	4.45	BCP560	563	5.6			
BCP158	161	1.58	BCP240	243	2.4	BCP345	348	3.45	BCP447	450	4.47	BCP564	567	5.64			
BCP162	165	1.62	BCP250	253	2.5	BCP355	358	3.55	BCP458	461	4.58	BCP572	575	5.72			

ORDERING EXAMPLE:
BCP530 B = Profile
 CP = Conveyor Power,
 530 = 530" Length

For additional information go to optibelt-usa.com or e-mail us at info@optibelt-usa.com



RIBBED BELTS

J/PJ PROFILES

SUPERIOR CONSTRUCTION

RB Ribbed Belts are made from Optibelt's superior wear-resistant rubber compound blend. The high strength tension cord is engineered for long-lasting performance and quiet operation.



SECTION	H/PH*		J/PJ		K/PK*		L/PL		M/PM	
	INCH	MM	INCH	MM	INCH	MM	INCH	MM	INCH	MM
S	0.063	1.60	0.092	2.34	0.140	3.56	0.185	4.70	0.370	9.40
H	0.10	2.50	0.14	3.50	0.18	4.60	0.28	7.00	0.51	13.00

*H/PH & K/PK section sizes are a non-stocking item. They are available in all standard and non-standard lengths. Contact an Optibelt representative for availability and lead times.

J/PJ STANDARD/METRIC PROFILE RIBBED BELTS

PART NUMBER	ALT. PART NO.	AVAIL. BELT TYPES	WEIGHT (LBS)
110J	PJ 280	RB	0.01
130J	PJ 330	RB	0.01
140J	PJ 356	RB	0.01
143J	PJ 362	RB	0.02
150J	PJ 381	RB	0.02
160J	PJ 406	RB	0.02
163J	PJ 414	RB	0.02
170J	PJ 432	RB	0.02
180J	PJ 457	RB	0.02
190J	PJ 483	RB	0.02
200J	PJ 508	RB	0.02
210J	PJ 533	RB	0.02
220J	PJ 559	RB	0.02
230J	PJ 584	RB	0.02
240J	PJ 610	RB	0.02
260J	PJ 660	RB	0.03
280J	PJ 711	RB	0.03
285J	PJ 723	RB	0.03

PART NUMBER	ALT. PART NO.	AVAIL. BELT TYPES	WEIGHT (LBS)
300J	PJ 762	RB	0.03
320J	PJ 813	RB	0.03
329J	PJ 836	RB	0.03
340J	PJ 864	RB	0.04
360J	PJ 914	RB	0.04
376J	PJ 955	RB	0.04
380J	PJ 965	RB	0.04
400J	PJ 1016	RB	0.04
430J	PJ 1092	RB	0.04
435J	PJ 1105	RB	0.04
437J	PJ 1110	RB	0.04
442J	PJ 1123	RB	0.04
445J	PJ 1130	RB	0.04
453J	PJ 1150	RB	0.05
460J	PJ 1168	RB	0.05
470J	PJ 1194	RB	0.05
473J	PJ 1200	RB	0.05
481J	PJ 1222	RB	0.05

PART NUMBER	ALT. PART NO.	AVAIL. BELT TYPES	WEIGHT (LBS)
490J	PJ 1244	RB	0.05
497J	PJ 1262	RB	0.05
500J	PJ 1270	RB	0.05
506J	PJ 1285	RB	0.05
512J	PJ 1301	RB	0.05
515J	PJ 1312	RB	0.05
518J	PJ 1316	RB	0.05
520J	PJ 1321	RB	0.05
525J	PJ 1333	RB	0.05
534J	PJ 1355	RB	0.05
540J	PJ 1371	RB	0.06
550J	PJ 1397	RB	0.06
562J	PJ 1428	RB	0.06
567J	PJ 1439	RB	0.06
580J	PJ 1473	RB	0.06
581J	PJ 1475	RB	0.06
610J	PJ 1549	RB	0.06
630J	PJ 1600	RB	0.06

PART NUMBER	ALT. PART NO.	AVAIL. BELT TYPES	WEIGHT (LBS)
650J	PJ 1651	RB	0.07
655J	PJ 1663	RB	0.07
690J	PJ 1752	RB	0.07
700J	PJ 1780	RB	0.07
730J	PJ 1854	RB	0.07
746J	PJ 1895	RB	0.07
752J	PJ 1910	RB	0.07
754J	PJ 1915	RB	0.07
760J	PJ 1930	RB	0.08
770J	PJ 1956	RB	0.08
774J	PJ 1965	RB	0.08
780J	PJ 1981	RB	0.08
784J	PJ 1992	RB	0.08
820J	PJ 2083	RB	0.08
848J	PJ 2155	RB	0.09
870J	PJ 2210	RB	0.09
920J	PJ 2337	RB	0.09
980J	PJ 2489	RB	0.10

RIBBED BELTS
STANDARD/METRIC

AVAILABLE RIBBED BELT CONSTRUCTION TYPES

RB RB STANDARD RIBBED BELT CONSTRUCTION

ORDERING EXAMPLES:

220J RB, 22" External Length
PJ 559 RB, 559 mm External Length



DETERMINING BELT WIDTH

If you are not sure simply count the number of the ridges, or "ribs", on the belt.

***H/PH & K/PK**

section sizes are a non-stocking item.
Contact an Optibelt representative for availability.

Additional Sizes & Ordering

Additional stocked and custom sizes available.
Contact customer service for details.

Contact an Optibelt representative regarding additional sizes, stock availability and pricing.
All weights are estimated.



L/PL STANDARD/METRIC PROFILE RIBBED BELTS

PART NUMBER	ALT. PART NO.	AVAIL. BELT TYPES	WEIGHT (LBS)
500L	PL 1270	RB	0.80
540L	PL 1371	RB	0.86
560L	PL 1422	RB	0.90
615L	PL 1562	RB	0.99
655L	PL 1664	RB	1.05
675L	PL 1715	RB	1.08
695L	PL 1764	RB	1.11
725L	PL 1841	RB	1.16
765L	PL 1943	RB	1.23

PART NUMBER	ALT. PART NO.	AVAIL. BELT TYPES	WEIGHT (LBS)
780L	PL 1981	RB	1.25
795L	PL 2020	RB	1.28
815L	PL 2070	RB	1.31
840L	PL 2134	RB	1.35
865L	PL 2197	RB	1.39
915L	PL 2324	RB	1.47
930L	PL 2362	RB	1.49
975L	PL 2476	RB	1.56
990L	PL 2515	RB	1.59

PART NUMBER	ALT. PART NO.	AVAIL. BELT TYPES	WEIGHT (LBS)
1065L	PL 2705	RB	1.71
1080L	PL 2743	RB	1.73
1140L	PL 2895	RB	1.83
1150L	PL 2921	RB	1.84
1180L	PL 2997	RB	1.89
1215L	PL 3086	RB	1.95
1230L	PL 3124	RB	1.97
1295L	PL 3289	RB	2.08
1310L	PL 3327	RB	2.10

PART NUMBER	ALT. PART NO.	AVAIL. BELT TYPES	WEIGHT (LBS)
1455L	PL 3696	RB	2.33
1595L	PL 4051	RB	2.55
1650L	PL 4191	RB	2.64
1760L	PL 4470	RB	2.82
1820L	PL 4622	RB	2.92
1980L	PL 5092	RB	3.17
2120L	PL 5385	RB	3.39
2400L	PL 6096	RB	3.84

M/PM STANDARD/METRIC PROFILE RIBBED BELTS

PART NUMBER	ALT. PART NO.	AVAIL. BELT TYPES	WEIGHT (LBS)
900M	PM 2286	RB	1.15
940M	PM 2388	RB	1.20
990M	PM 2515	RB	1.26
1060M	PM 2693	RB	1.35
1115M	PM 2832	RB	1.42
1150M	PM 2921	RB	1.47
1185M	PM 3010	RB	1.51

PART NUMBER	ALT. PART NO.	AVAIL. BELT TYPES	WEIGHT (LBS)
1230M	PM 3124	RB	1.57
1310M	PM 3327	RB	1.67
1390M	PM 3531	RB	1.77
1470M	PM 3734	RB	1.87
1610M	PM 4089	RB	2.05
1650M	PM 4191	RB	2.10
1760M	PM 4470	RB	2.24

PART NUMBER	ALT. PART NO.	AVAIL. BELT TYPES	WEIGHT (LBS)
1830M	PM 4648	RB	2.33
1980M	PM 5029	RB	2.52
2130M	PM 5410	RB	2.71
2410M	PM 6121	RB	3.07
2560M	PM 6502	RB	3.26
2710M	PM 6883	RB	3.45
3010M	PM 7646	RB	3.83

PART NUMBER	ALT. PART NO.	AVAIL. BELT TYPES	WEIGHT (LBS)
3310M	PM 8408	RB	4.22
3910M	PM 9931	RB	4.98
4210M	PM 10693	RB	5.36
4810M	PM 12217	RB	6.13

AVAILABLE RIBBED BELT CONSTRUCTION TYPES

RB RB STANDARD RIBBED BELT CONSTRUCTION

ORDERING EXAMPLES:

865L RB, 86.5" External Length
PM 9931 RB, 9931 mm External Length

EXAMPLE PART NUMBERS:

- 500L4 (4 RIBS, L or PL 1270)
- 840L6 (6 RIBS, L or PL 1194)
- 1230L8 (8 RIBS, L or PL 3124)
- 1830M10 (10 RIBS, M or PM 2921)

EXPEDITED SHIPPING:

Each Optibelt warehouse facility cuts Ribbed belts to width to expedited customer orders.

RIBBED BELTS
STANDARD/METRIC

ELASTIC RIBBED BELTS

The superstructure is made from a fiber-reinforced rubber mixture. The fibers are laid perpendicular to the direction of belt travel and stabilize the belt during dynamic operation. The tension cord is a high modulus polyamide material embedded in a rubber compound and covers the entire width of the ribbed belt. The rib compound is characterized by a high wear resistance.

SECTIONS: EPH, EPJ

Elastic ribbed belts sections EPH and EPJ consist of a:

- superstructure
- elastic tension cord section
- base

Contact an Optibelt representative regarding additional sizes, stock availability and pricing.

All weights are estimated.

Additional Sizes & Ordering

Additional stocked and custom sizes available. Contact customer service for details.

***H/PH & K/PK**

section sizes are a non-stocking item.

Contact an Optibelt representative for availability.



TIMING BELTS

RUBBER TIMING BELT PRODUCT INFORMATION

Optibelt DELTA CHAIN & PULLEYS

DELTA CHAIN is the highest power capacity timing belt Optibelt has ever created. It is 2X stronger than any rubber timing belt. This means more compact drive designs are possible and it can replace many chain drives.

- **Superior Protection:** Specialized cover reduces running noise and improves durability.
- **Carbon Cords:** Carbon construction transmits more power than aramid or glass fiber.
- **High Resistance:** Resistant to the effects of oil, chemicals, and ozone.
- **Idler Capable:** Smooth backside allows for the use of backside idlers with no added noise.
- **Compatible Tooth Pattern:** fits all standard 8MDC, 8MGT, C8M Pulleys.
- **Temperature Range:** Cast polyurethane operational temperature range -22 to 176°F

SECTIONS: 8MDC

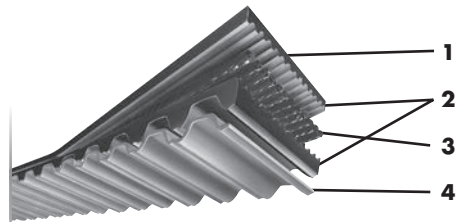


Optibelt OMEGA HL

Ultra-high performance belt engineered to handle extreme loads at a wide range of speeds.

- **Ultimate Performance:** Large diameter glass fiber cords provide superior strength and pulling force.
- **Low-Noise:** OMEGA tooth design and fabric cover for quieter operation.
- **Durability:** Polyamide fabric cover provides for increased wear resistance.
- **Strength:** Aramid fibers are blended into the rubber compound for a tooth structure with incredible shear strength.
- **Versatility:** Fits HTD® and RPP® pulleys.
- **True-Running:** Counter rotated cords ensure the belt does not have a pull bias.
- **Temperature Range:** Increased operation range -22 to 212°F.
- **Anti-static:** Meets ISO 9563 requirements for being anti-static.

SECTIONS: 8M, 14M



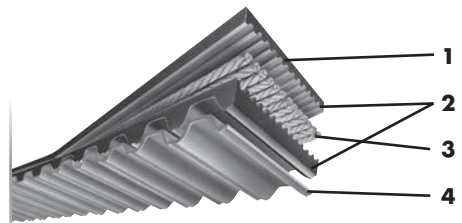
- 1 oil resistant top fabric layer
- 2 aramid reinforced polychloroprene core material
- 3 large diameter glass fiber tension cords
- 4 reinforced polyamide fabric cover

Optibelt OMEGA HP

High performance belts developed for high speed drives. With its superior construction OMEGA HP belts have the durability and performance characteristics far superior than standard timing belts.

- **High Performance:** Glass fiber cords provide superior strength and pulling force.
- **Low-Noise:** OMEGA tooth design and fabric cover for quieter operation.
- **Durability:** Polyamide fabric cover provides for increased wear resistance.
- **Strength:** Aramid fibers are blended into the rubber compound for a tooth structure with incredible shear strength.
- **Versatility:** Fits HTD® and RPP® pulleys.
- **True-Running:** Counter rotated cords ensure the belt does not have a pull bias.
- **Temperature Range:** Increased operation range -22 to 212°F.
- **Anti-static:** Meets ISO 9563 requirements for being anti-static.

SECTIONS: 3M, 5M, 8M, 14M



- 1 oil resistant top fabric layer
- 2 aramid reinforced polychloroprene core material
- 3 glass fiber tension cords
- 4 reinforced polyamide fabric cover

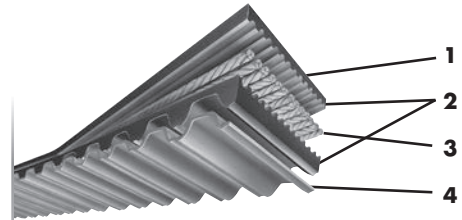


Optibelt OMEGA

Optibelt's original timing belt engineered and manufactured to exceed the performance and durability of industry standard belts.

- **Performance:** Glass fiber cords provide superior strength and pulling force.
- **Low-Noise:** OMEGA tooth design and fabric cover for quieter operation.
- **Durability:** Polyamide fabric cover provides for increased wear resistance.
- **Versatility:** Fits HTD® and RPP® pulleys.
- **True-Running:** Counter rotated cords ensure the belt does not have a pull bias.
- **Temperature Range:** Increased operation range -22 to 212°F.
- **Anti-static:** Meets ISO 9563 requirements for being anti-static.

SECTIONS: 2M, 3M, 5M, 8M, 14M



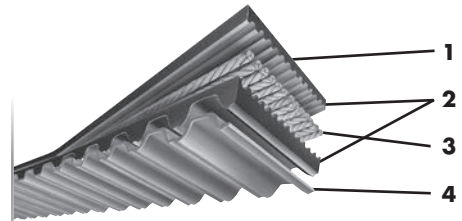
- 1 oil resistant top fabric layer
- 2 polychloroprene core material
- 3 glass fiber tension cords
- 4 polyamide fabric cover

Optibelt OMEGA FANPOWER

Designed specifically for oil refinery applications. OMEGA FANPOWER has the same performance as OMEGA HP belts but are certified to be anti-static compliant.

- **High Performance:** Glass Fiber cords provide superior strength and pulling force.
- **Low-Noise:** OMEGA tooth design and fabric cover for quieter operation.
- **Durability:** Polyamide fabric cover provides for increased wear resistance
- **Strength:** Aramid fibers are blended into the rubber compound for a tooth structure with incredible shear resistant strength
- **Versatility:** Fits HTD® and RPP® pulleys
- **True-Running:** Counter rotated cords ensure the belt does not have a pull bias.
- **Temperature Range:** Increased operation range -22 to 212°F
- **Anti-static:** Certified to ISO 9563 requirements for being anti-static.

SECTIONS: 8M, 14M

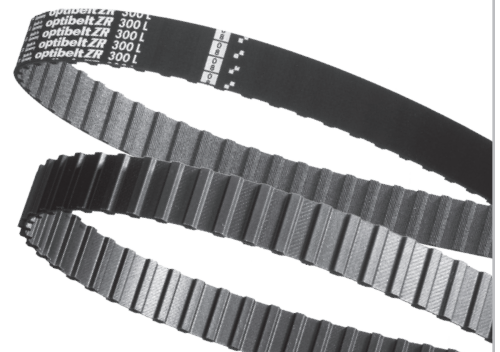


- 1 oil resistant top fabric layer
- 2 aramid reinforced polychloroprene core material
- 3 glass fiber tension cords
- 4 polyamide fabric cover

Optibelt ZR

Performance ZR timing belts are made from an engineered synthetic rubber neoprene core, glass fiber cords and have an abrasion-resistant protective cover. This engineered combination makes these timing belts extremely durable and efficient at transferring power.

SECTIONS: MXL, XL, L, H, XH, XXH DXL, DL, DH



TIMING BELT
 PRODUCTS



DELTA CHAIN TIMING BELTS & PULLEYS

8MDC PROFILES

CARBON CORDS

8MDC DELTA CHAIN TIMING BELTS

PART NUMBER	BELT TYPE	LENGTH (MM)	NO. OF TEETH	PART NUMBER	BELT TYPE	LENGTH (MM)	NO. OF TEETH
640-8MDC	DC	640	80	1200-8MDC	DC	1200	150
720-8MDC	DC	720	90	1224-8MDC	DC	1224	153
800-8MDC	DC	800	100	1280-8MDC	DC	1280	160
896-8MDC	DC	896	112	1440-8MDC	DC	1440	180
960-8MDC	DC	960	120	1600-8MDC	DC	1600	200
1000-8MDC	DC	1000	125	1760-8MDC	DC	1760	220
1040-8MDC	DC	1040	130	1792-8MDC	DC	1792	224
1120-8MDC	DC	1120	140				

AVAILABLE WIDTHS: 12mm, 21mm, 36mm, 62mm



AVAILABLE WIDTHS:
12mm, 21mm, 36mm, 62mm

Custom widths available. Contact an Optibelt representative for more information

DON'T SEE THE SIZE YOU NEED?

Optibelt is continually expanding the DELTA CHAIN product line of products. Please contact an Optibelt representative or your local dealer for more information:

Phone: 800-292-6081 E-Mail: info@optibelt-usa.com

DC DELTA CHAIN HIGHEST POWER CAPACITY TIMING BELT

ORDERING EXAMPLES:

640-8MDC-12 640mm Pitch Length, 8MDC Profile Section, 12mm Belt Width

1000-8MDC-21 1000mm Pitch Length, 8MDC Profile Section, 21mm Belt Width

1280-8MDC-36 1280mm Pitch Length, 8MDC Profile Section, 36mm Belt Width

1792-8MDC-62 1792mm Pitch Length, 8MDC Profile Section, 62mm Belt Width

8MDC DELTA CHAIN PULLEYS FOR TAPER BUSHINGS

12 MM BELT WIDTH

PART NUMBER	**BUSHING (pg. 40)	TYPE* (pg. 41)	MATERIAL	DIMENSIONS										WEIGHT WITHOUT BUSHING (LBS)
				d _a (mm)	d _e (mm)	D _s (mm)	b ₁ (mm)	B (mm)	N (mm)	D (mm)	D _i (mm)	Z (mm)		
8MDC 12 TB 25	1108	2F	ST	63.66	62.06	70	20	22	22	22	49	-	-	0.66
8MDC 12 TB 28	1108	2F	ST	71.3	69.7	79	20	22	22	22	59	-	-	0.88
8MDC 12 TB 30	1210	2F	ST	76.39	74.79	86	20	25	25	25	66	-	-	0.88
8MDC 12 TB 32	1610	2F	ST	81.49	79.89	90	20	25	25	25	66	-	-	0.88
8MDC 12 TB 34	1610	2F	ST	86.58	84.98	95	20	25	25	25	70	-	-	1.10
8MDC 12 TB 36	1610	2F	ST	91.67	90.07	98	20	25	25	25	78	-	-	1.32
8MDC 12 TB 38	1610	2F	ST	96.77	95.17	106	20	25	25	25	80	-	-	1.54
8MDC 12 TB 40	1610	2F	ST	101.86	100.26	111	20	25	25	25	85	-	-	1.98
8MDC 12 TB 45	2012	2F	ST	114.59	112.99	119	20	32	32	32	92	-	-	2.43
8MDC 12 TB 48	2012	2F	ST	122.23	120.63	135	20	32	32	32	104	-	-	3.31
8MDC 12 TB 50	2012	2F	ST	127.32	125.72	135	20	32	32	32	104	-	-	3.53
8MDC 12 TB 56	2012	2F	ST	142.6	141	151	20	32	32	32	104	-	-	4.63
8MDC 12 TB 60	2012	2F	ST	152.79	151.19	159	20	32	32	32	111	-	-	5.29
8MDC 12 TB 64	2012	2F	ST	162.97	161.37	168	20	32	32	32	111	-	-	5.95
8MDC 12 TB 75	2012	2	GG	190.99	189.39	-	20	32	32	32	111	-	-	10.14
8MDC 12 TB 80	2012	2	GG	203.72	202.12	-	20	32	32	32	111	-	-	11.24
8MDC 12 TB 90	2012	2	GG	229.18	227.58	-	20	-	-	-	111	-	-	14.11

MATERIAL: GG = Cast Iron ST = Steel

*See page 41 for type and corresponding dimensions.

ORDERING EXAMPLE:

8MDC 12 TB 25 8MDC Profile Section, 12mm Belt Width, TB Taper Bushing, 25 Number of Teeth

Need Help?

Contact Optibelt customer service. Our friendly staff is here to assist you.

TOLL FREE: 800-292-6081
E-mail: info@optibelt-usa.com

Contact an Optibelt representative regarding additional sizes, stock availability and pricing.



8MDC DELTA CHAIN PULLEYS FOR TAPER BUSHINGS

21 MM BELT WIDTH													
PART NUMBER	**BUSHING (pg. 40)	TYPE* (pg. 41)	MATERIAL	DIMENSIONS									WEIGHT WITHOUT BUSHING (LBS)
				d ₂ (mm)	d ₃ (mm)	D ₃ (mm)	b ₁ (mm)	B (mm)	N (mm)	D (mm)	D ₁ (mm)	Z (mm)	
8MDC 21 TB 25	1108	3F	ST	63.66	62.06	70	30	30	22	-	-	8	0.88
8MDC 21 TB 28	1210	3F	ST	71.3	69.7	79	30	30	25	-	-	5	0.88
8MDC 21 TB 30	1210	3F	ST	76.39	74.79	86	30	30	25	-	-	5	1.32
8MDC 21 TB 32	1610	3F	ST	81.49	79.89	90	30	30	25	-	-	5	1.10
8MDC 21 TB 34	1610	3F	ST	86.58	84.98	95	30	30	25	-	-	5	1.32
8MDC 21 TB 36	1610	3F	ST	91.67	90.07	98	30	30	25	-	-	5	1.54
8MDC 21 TB 38	1610	3F	ST	96.77	95.17	106	30	30	25	-	-	5	2.20
8MDC 21 TB 40	1610	3F	ST	101.86	100.26	111	30	30	25	-	-	5	2.43
8MDC 21 TB 45	2012	2F	ST	114.59	112.99	119	30	32	32	92	-	-	2.87
8MDC 21 TB 48	2012	2F	ST	122.23	120.63	135	30	32	32	104	-	-	3.53
8MDC 21 TB 50	2012	2F	ST	127.32	125.72	135	30	32	32	104	-	-	4.19
8MDC 21 TB 56	2012	2F	ST	142.6	141	151	30	32	32	111	-	-	5.29
8MDC 21 TB 60	2517	2F	ST	152.79	151.19	159	30	45	45	124	-	-	7.05
8MDC 21 TB 64	2517	2F	ST	162.97	161.37	168	30	45	45	124	-	-	8.38
8MDC 21 TB 75	2517	2	GG	190.99	189.39	-	30	45	45	124	-	-	14.99
8MDC 21 TB 80	2517	2	GG	203.72	202.12	-	30	45	45	124	-	-	16.76
8MDC 21 TB 90	2517	9	GG	229.18	227.58	-	30	45	45	124	198	7.5	18.96
8MDC 21 TB 112	2517	9	GG	285.21	283.61	-	30	45	45	124	253	7.5	27.56
8MDC 21 TB 140	3020	10	GG	356.51	354.91	-	30	51	51	150	324	10.5	28.22

36 MM BELT WIDTH													
PART NUMBER	**BUSHING (pg. 40)	TYPE* (pg. 41)	MATERIAL	DIMENSIONS									WEIGHT WITHOUT BUSHING (LBS)
				d ₂ (mm)	d ₃ (mm)	D ₃ (mm)	b ₁ (mm)	B (mm)	N (mm)	D (mm)	D ₁ (mm)	Z (mm)	
8MDC 36 TB 28	1210	3F	ST	71.3	69.7	79	45	45	25	-	-	20	1.54
8MDC 36 TB 30	1610	3F	ST	76.39	74.79	86	45	45	25	-	-	20	1.32
8MDC 36 TB 32	1610	3F	ST	81.89	79.89	90	45	45	25	-	-	20	1.76
8MDC 36 TB 34	1610	3F	ST	86.58	84.98	95	45	45	25	-	-	20	2.20
8MDC 36 TB 36	1610	3F	ST	91.67	90.07	98	45	45	25	-	-	20	2.65
8MDC 36 TB 38	1610	3F	ST	96.77	95.17	106	45	45	25	-	-	20	3.09
8MDC 36 TB 40	2012	3F	ST	101.86	100.26	111	45	45	32	-	-	13	3.09
8MDC 36 TB 45	2012	3F	ST	114.59	112.99	120	45	45	32	-	-	13	4.19
8MDC 36 TB 48	2012	3F	ST	122.23	120.63	128	45	45	32	-	-	13	4.85
8MDC 36 TB 50	2012	3F	ST	127.32	125.72	128	45	45	32	-	-	13	5.95
8MDC 36 TB 56	2517	3F	ST	142.6	141	150	45	45	45	-	-	-	6.61
8MDC 36 TB 60	2517	3F	ST	152.79	151.19	158	45	45	45	-	-	-	8.38
8MDC 36 TB 64	2517	3F	ST	162.97	161.37	168	45	45	45	-	-	-	9.92
8MDC 36 TB 75	3020	2	GG	190.99	189.39	-	45	51	51	150	-	-	19.18
8MDC 36 TB 80	3020	2	GG	203.72	202.12	-	45	51	51	150	-	-	22.05
8MDC 36 TB 90	3020	9	GG	229.18	227.58	-	45	51	51	150	197	3	22.93
8MDC 36 TB 112	3020	9	GG	285.21	283.61	-	45	51	51	150	253	3	30.86
8MDC 36 TB 140	3020	10	GG	356.51	354.91	-	45	51	51	150	324	3	26.46
8MDC 36 TB 168	3525	10	GG	427.81	426.21	-	45	65	65	198	396	10	52.69
8MDC 36 TB 192	3525	10	GG	488.92	487.32	-	45	65	65	198	457	10	58.64

MATERIAL: GG = Cast Iron ST = Steel

ORDERING EXAMPLE:

*See page 41 for type and corresponding dimensions.

8MDC 36 TB 168 8MDC Profile Section, 26mm Belt Width, TB Taper Bushing, 168 Number of Teeth

TIMING BELTS
DELTA CHAIN

	<p>Contact an Optibelt representative regarding additional sizes, stock availability and pricing.</p>	<p>Need Help? Contact Optibelt customer service. Our friendly staff is here to assist you.</p> <p>TOLL FREE: 800-292-6081 E-mail: info@optibelt-usa.com</p>
--	---	--



8MDC DELTA CHAIN PULLEYS FOR TAPER LOCK BUSHINGS

62MM BELT WIDTH														
PART NUMBER	**BUSHING (pg. 40)	TYPE* (pg. 41)	MATERIAL	DIMENSIONS										WEIGHT W/O BUSHING (LBS)
				d _d (mm)	d _e (mm)	D _b (mm)	b ₁ (mm)	B (mm)	N (mm)	D (mm)	D _i (mm)	Z (mm)		
8MDC 62 TB 40	2012	3F	ST	101.86	100.26	106	72	72	32	-	-	40	4.63	
8MDC 62 TB 45	2012	3F	ST	114.59	112.99	120	72	72	32	-	-	40	7.28	
8MDC 62 TB 48	2517	3F	ST	122.23	120.63	128	72	72	45	-	-	27	8.60	
8MDC 62 TB 50	2517	3F	ST	127.32	125.72	135	72	72	45	-	-	27	10.36	
8MDC 62 TB 56	2517	6F	ST	142.6	141	151	72	45	45	-	111	13.5	12.13	
8MDC 62 TB 60	2517	6F	ST	152.79	151.19	159	72	45	45	-	121	13.5	14.11	
8MDC 62 TB 64	2517	6F	ST	162.97	161.37	168	72	45	45	-	131	13.5	15.87	
8MDC 62 TB 75	3020	6	GG	190.99	189.39	-	72	72	51	-	159	10.5	22.05	
8MDC 62 TB 80	3020	6	GG	203.72	202.12	-	72	72	51	-	172	10.5	25.35	
8MDC 62 TB 90	3020	6	GG	229.18	227.58	-	72	72	51	-	197	10.5	33.07	
8MDC 62 TB 112	3020	7	GG	285.21	283.61	-	72	72	51	150	253	10.5	33.07	
8MDC 62 TB 140	3525	7	GG	356.51	354.91	-	72	72	65	198	324	3.5	54.67	
8MDC 62 TB 168	3525	8	GG	427.81	426.21	-	72	72	65	198	396	3.5	62.61	
8MDC 62 TB 192	3525	8	GG	488.92	487.32	-	72	72	65	198	457	3.5	70.99	

* See page 41 for type and corresponding dimensions. MATERIAL: GG = Cast Iron ST = Steel

Taper Bushing	1008	1108	1210	1610	2012	2517	3020	3525
Bore d ₂ (mm) from... to...	10-25	10-28	11-32	14-42	14-50	16-60	25-75	35-90

ORDERING EXAMPLE:

8MDC 62 TB 75 8MDC Profile Section, 62mm Belt Width, TB Taper Bushing, 75 Number of Teeth

8MDC DELTA CHAIN PULLEYS, PLAIN BORE

PART NUMBER	TYPE* (pg. 41)	MATERIAL	DIMENSIONS									WEIGHT WITHOUT BUSHING (LBS)
			d _d (mm)	d _e (mm)	D _b (mm)	b ₁ (mm)	B (mm)	N (mm)	D (mm)			
8MDC 12 22	1F	ST	56.02	54.42	60	20	30	30	43	0.5		
8MDC 21 22	1F	ST	56.02	54.42	60	30	40	40	43	0.6		
8MDC 36 25	1F	ST	63.66	62.06	70	45	55	55	49	1.1		
8MDC 62 30	1F	ST	76.39	74.79	83	72	84	84	62	2.5		
8MDC 62 32	1F	ST	81.49	79.89	87	72	84	84	65	2.8		
8MDC 62 34	1F	ST	86.58	84.98	91	72	84	84	70	3.0		
8MDC 62 36	1F	ST	91.67	90.07	97	72	84	84	75	3.4		
8MDC 62 38	1F	ST	96.77	95.17	102	72	84	84	75	3.8		

MATERIAL: GG = Cast Iron ST = Steel

* See page 41 for type and corresponding dimensions.

ORDERING EXAMPLE:

8MDC 62 30 8MDC Profile Section, 62mm Belt Width, 30 Number of Teeth

Need Help?

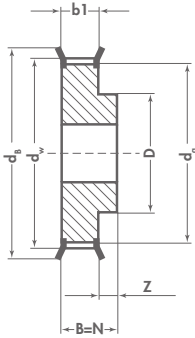
Contact Optibelt customer service. Our friendly staff is here to assist you.

TOLL FREE: 800-292-6081
E-mail: info@optibelt-usa.com

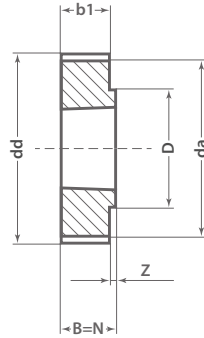
Contact an Optibelt representative regarding additional sizes, stock availability and pricing.



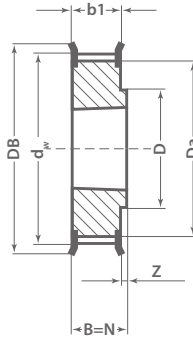
8MDC PULLEY DIMENSIONS BY TYPE



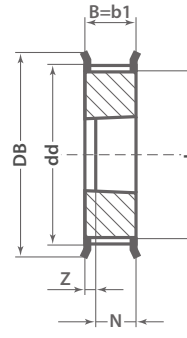
TYPE: 1F



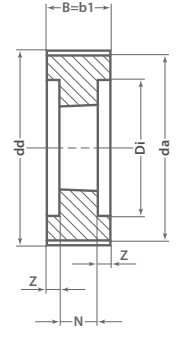
2



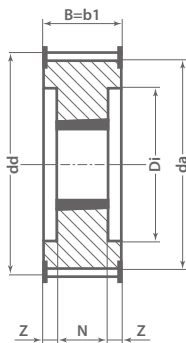
2F



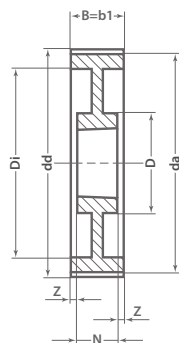
3F



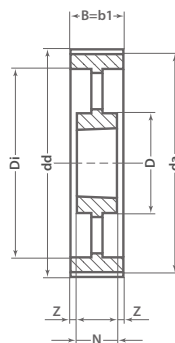
6



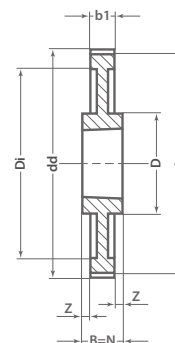
TYPE: 6F



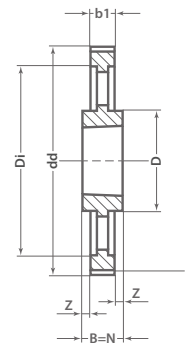
7



8



9



10

Contact an Optibelt representative regarding additional sizes, stock availability and pricing.

Need Help?

Contact Optibelt customer service. Our friendly staff is here to assist you.

TOLL FREE: 800-292-6081
E-mail: info@optibelt-usa.com



TIMING BELTS, RUBBER

2M PROFILES

SUPERIOR PERFORMANCE

2M PROFILE RUBBER TIMING BELTS

PART NUMBER	AVAILABLE BELTS TYPES	PITCH LENGTH (MM)	NO. OF TEETH	PART NUMBER	AVAILABLE BELTS TYPES	PITCH LENGTH (MM)	NO. OF TEETH	PART NUMBER	AVAILABLE BELTS TYPES	PITCH LENGTH (MM)	NO. OF TEETH	PART NUMBER	AVAILABLE BELTS TYPES	PITCH LENGTH (MM)	NO. OF TEETH
90-2M-3	OMEGA	90	45	148-2M-3	OMEGA	148	74	266-2M-3	OMEGA	266	133	370-2M-3	OMEGA	370	185
100-2M-3	OMEGA	100	50	180-2M-3	OMEGA	180	90	274-2M-3	OMEGA	274	137	426-2M-3	OMEGA	426	213
104-2M-3	OMEGA	104	52	184-2M-3	OMEGA	184	92	280-2M-3	OMEGA	280	140	448-2M-3	OMEGA	448	224
112-2M-3	OMEGA	112	56	188-2M-3	OMEGA	188	94	286-2M-3	OMEGA	286	143	558-2M-3	OMEGA	558	279
118-2M-3	OMEGA	118	59	200-2M-3	OMEGA	200	100	308-2M-3	OMEGA	308	154	560-2M-3	OMEGA	560	280
120-2M-3	OMEGA	120	60	208-2M-3	OMEGA	208	104	310-2M-3	OMEGA	310	155	710-2M-3	OMEGA	710	355
124-2M-3	OMEGA	124	62	216-2M-3	OMEGA	216	108	328-2M-3	OMEGA	328	164	984-2M-3	OMEGA	984	492
130-2M-3	OMEGA	130	65	232-2M-3	OMEGA	232	116	330-2M-3	OMEGA	330	165	1066-2M-3	OMEGA	1066	533
140-2M-3	OMEGA	140	70	250-2M-3	OMEGA	250	125	340-2M-3	OMEGA	340	170	1224-2M-3	OMEGA	1224	612

PART NUMBER	AVAILABLE BELTS TYPES	PITCH LENGTH (MM)	NO. OF TEETH	PART NUMBER	AVAILABLE BELTS TYPES	PITCH LENGTH (MM)	NO. OF TEETH	PART NUMBER	AVAILABLE BELTS TYPES	PITCH LENGTH (MM)	NO. OF TEETH	PART NUMBER	AVAILABLE BELTS TYPES	PITCH LENGTH (MM)	NO. OF TEETH
90-2M-6	OMEGA	90	45	148-2M-6	OMEGA	148	74	266-2M-6	OMEGA	266	133	370-2M-6	OMEGA	370	185
100-2M-6	OMEGA	100	50	180-2M-6	OMEGA	180	90	274-2M-6	OMEGA	274	137	426-2M-6	OMEGA	426	213
104-2M-6	OMEGA	104	52	184-2M-6	OMEGA	184	92	280-2M-6	OMEGA	280	140	448-2M-6	OMEGA	448	224
112-2M-6	OMEGA	112	56	188-2M-6	OMEGA	188	94	286-2M-6	OMEGA	286	143	558-2M-6	OMEGA	558	279
118-2M-6	OMEGA	118	59	200-2M-6	OMEGA	200	100	308-2M-6	OMEGA	308	154	560-2M-6	OMEGA	560	280
120-2M-6	OMEGA	120	60	208-2M-6	OMEGA	208	104	310-2M-6	OMEGA	310	155	710-2M-6	OMEGA	710	355
124-2M-6	OMEGA	124	62	216-2M-6	OMEGA	216	108	328-2M-6	OMEGA	328	164	984-2M-6	OMEGA	984	492
130-2M-6	OMEGA	130	65	232-2M-6	OMEGA	232	116	330-2M-6	OMEGA	330	165	1066-2M-6	OMEGA	1066	533
140-2M-6	OMEGA	140	70	250-2M-6	OMEGA	250	125	340-2M-6	OMEGA	340	170	1224-2M-6	OMEGA	1224	612

PART NUMBER	AVAILABLE BELTS TYPES	PITCH LENGTH (MM)	NO. OF TEETH	PART NUMBER	AVAILABLE BELTS TYPES	PITCH LENGTH (MM)	NO. OF TEETH	PART NUMBER	AVAILABLE BELTS TYPES	PITCH LENGTH (MM)	NO. OF TEETH	PART NUMBER	AVAILABLE BELTS TYPES	PITCH LENGTH (MM)	NO. OF TEETH
90-2M-9	OMEGA	90	45	148-2M-9	OMEGA	148	74	266-2M-9	OMEGA	266	133	370-2M-9	OMEGA	370	185
100-2M-9	OMEGA	100	50	180-2M-9	OMEGA	180	90	274-2M-9	OMEGA	274	137	426-2M-9	OMEGA	426	213
104-2M-9	OMEGA	104	52	184-2M-9	OMEGA	184	92	280-2M-9	OMEGA	280	140	448-2M-9	OMEGA	448	224
112-2M-9	OMEGA	112	56	188-2M-9	OMEGA	188	94	286-2M-9	OMEGA	286	143	558-2M-9	OMEGA	558	279
118-2M-9	OMEGA	118	59	200-2M-9	OMEGA	200	100	308-2M-9	OMEGA	308	154	560-2M-9	OMEGA	560	280
120-2M-9	OMEGA	120	60	208-2M-9	OMEGA	208	104	310-2M-9	OMEGA	310	155	710-2M-9	OMEGA	710	355
124-2M-9	OMEGA	124	62	216-2M-9	OMEGA	216	108	328-2M-9	OMEGA	328	164	984-2M-9	OMEGA	984	492
130-2M-9	OMEGA	130	65	232-2M-9	OMEGA	232	116	330-2M-9	OMEGA	330	165	1066-2M-9	OMEGA	1066	533
140-2M-9	OMEGA	140	70	250-2M-9	OMEGA	250	125	340-2M-9	OMEGA	340	170	1224-2M-9	OMEGA	1224	612

AVAILABLE TIMING BELT CONSTRUCTION TYPES

OMEGA OMEGA STANDARD TIMING BELT CONSTRUCTION

ORDERING EXAMPLES:

184-2M-3 184mm Pitch Length, 2M Profile Section, 3mm Belt Width

308-2M-9 308mm Pitch Length, 2M Profile Section, 9mm Belt Width

TIMING BELTS
RUBBER

Contact an Optibelt representative regarding additional sizes, stock availability and pricing.

EXPEDITED SHIPPING: Each Optibelt warehouse facility cuts timing belts to width for faster order service.

Cut to Size Widths

If you need a custom width timing belt, Optibelt has you covered. Each Optibelt facility can cut custom widths. This means you don't have to wait for a manufactured factory order. If it is stock, it can ship!

Need Help?

Contact Optibelt customer service. Our friendly staff is here to assist you.

TOLL FREE: 800-292-6081
E-mail: info@optibelt-usa.com



3M PROFILE RUBBER TIMING BELTS

PART NUMBER	AVAILABLE BELTS TYPES	PITCH LENGTH (MM)	NO. OF TEETH
111-3M-6	OMEGA HP	111	37
129-3M-6	OMEGA HP	129	43
141-3M-6	OMEGA HP	141	47
144-3M-6	OMEGA HP	144	48
150-3M-6	OMEGA HP	150	50
159-3M-6	OMEGA HP	159	53
165-3M-6	OMEGA HP	165	55
168-3M-6	OMEGA HP	168	56
171-3M-6	OMEGA HP	171	57
174-3M-6	OMEGA HP	174	58
177-3M-6	OMEGA HP	177	59
180-3M-6	OMEGA HP	180	60
183-3M-6	OMEGA HP	183	61
186-3M-6	OMEGA HP	186	62
192-3M-6	OMEGA HP	192	64
195-3M-6	OMEGA HP	195	65
201-3M-6	OMEGA HP	201	67
204-3M-6	OMEGA HP	204	68
207-3M-6	OMEGA HP	207	69
210-3M-6	OMEGA HP	210	70
213-3M-6	OMEGA HP	213	71
225-3M-6	OMEGA HP	225	75

PART NUMBER	AVAILABLE BELTS TYPES	PITCH LENGTH (MM)	NO. OF TEETH
240-3M-6	OMEGA HP	240	80
246-3M-6	OMEGA HP	246	82
249-3M-6	OMEGA HP	249	83
252-3M-6	OMEGA HP	252	84
255-3M-6	OMEGA HP	255	85
267-3M-6	OMEGA HP	267	89
276-3M-6	OMEGA HP	276	92
282-3M-6	OMEGA HP	282	94
285-3M-6	OMEGA HP	285	85
288-3M-6	OMEGA HP	288	96
291-3M-6	OMEGA HP	291	97
294-3M-6	OMEGA HP	294	98
300-3M-6	OMEGA HP	300	100
312-3M-6	OMEGA HP	312	104
315-3M-6	OMEGA HP	315	105
318-3M-6	OMEGA HP	318	106
330-3M-6	OMEGA HP	330	110
333-3M-6	OMEGA HP	333	111
339-3M-6	OMEGA HP	339	113
345-3M-6	OMEGA HP	345	115
357-3M-6	OMEGA HP	357	119

PART NUMBER	AVAILABLE BELTS TYPES	PITCH LENGTH (MM)	NO. OF TEETH
363-3M-6	OMEGA HP	363	121
366-3M-6	OMEGA HP	366	122
384-3M-6	OMEGA HP	384	128
390-3M-6	OMEGA HP	390	130
420-3M-6	OMEGA HP	420	140
426-3M-6	OMEGA HP	426	142
435-3M-6	OMEGA HP	435	145
447-3M-6	OMEGA HP	447	149
462-3M-6	OMEGA HP	462	154
474-3M-6	OMEGA HP	474	158
480-3M-6	OMEGA HP	480	160
486-3M-6	OMEGA HP	486	162
495-3M-6	OMEGA HP	495	165
501-3M-6	OMEGA HP	501	167
513-3M-6	OMEGA HP	513	171
519-3M-6	OMEGA HP	519	173
522-3M-6	OMEGA HP	522	174
525-3M-6	OMEGA HP	525	175
531-3M-6	OMEGA HP	531	177
537-3M-6	OMEGA HP	537	179
558-3M-6	OMEGA HP	558	186

PART NUMBER	AVAILABLE BELTS TYPES	PITCH LENGTH (MM)	NO. OF TEETH
564-3M-6	OMEGA HP	564	188
570-3M-6	OMEGA HP	570	190
582-3M-6	OMEGA HP	582	194
597-3M-6	OMEGA HP	597	199
600-3M-6	OMEGA HP	600	200
606-3M-6	OMEGA HP	606	202
615-3M-6	OMEGA HP	615	205
633-3M-6	OMEGA HP	633	211
669-3M-6	OMEGA HP	669	223
675-3M-6	OMEGA HP	675	225
711-3M-6	OMEGA HP	711	237
738-3M-6	OMEGA HP	738	237
804-3M-6	OMEGA HP	804	268
816-3M-6	OMEGA HP	816	272
843-3M-6	OMEGA HP	843	281
882-3M-6	OMEGA HP	882	294
888-3M-6	OMEGA HP	888	296
1062-3M-6	OMEGA HP	1062	354
1569-3M-6	OMEGA HP	1569	523
1587-3M-6	OMEGA HP	1587	529
1692-3M-6	OMEGA HP	1692	564

PART NUMBER	AVAILABLE BELTS TYPES	PITCH LENGTH (MM)	NO. OF TEETH
111-3M-9	OMEGA HP	111	37
129-3M-9	OMEGA HP	129	43
141-3M-9	OMEGA HP	141	47
144-3M-9	OMEGA HP	144	48
150-3M-9	OMEGA HP	150	50
159-3M-9	OMEGA HP	159	53
165-3M-9	OMEGA HP	165	55
168-3M-9	OMEGA HP	168	56
171-3M-9	OMEGA HP	171	57
174-3M-9	OMEGA HP	174	58
177-3M-9	OMEGA HP	177	59
180-3M-9	OMEGA HP	180	60
183-3M-9	OMEGA HP	183	61
186-3M-9	OMEGA HP	186	62

PART NUMBER	AVAILABLE BELTS TYPES	PITCH LENGTH (MM)	NO. OF TEETH
192-3M-9	OMEGA HP	192	64
195-3M-9	OMEGA HP	195	65
201-3M-9	OMEGA HP	201	67
204-3M-9	OMEGA HP	204	68
207-3M-9	OMEGA HP	207	69
210-3M-9	OMEGA HP	210	70
213-3M-9	OMEGA HP	213	71
225-3M-9	OMEGA HP	225	75
240-3M-9	OMEGA HP	240	80
246-3M-9	OMEGA HP	246	82
249-3M-9	OMEGA HP	249	83
252-3M-9	OMEGA HP	252	84
255-3M-9	OMEGA HP	255	85
267-3M-9	OMEGA HP	267	89

PART NUMBER	AVAILABLE BELTS TYPES	PITCH LENGTH (MM)	NO. OF TEETH
276-3M-9	OMEGA HP	276	92
282-3M-9	OMEGA HP	282	94
285-3M-9	OMEGA HP	285	85
288-3M-9	OMEGA HP	288	96
291-3M-9	OMEGA HP	291	97
294-3M-9	OMEGA HP	294	98
300-3M-9	OMEGA HP	300	100
312-3M-9	OMEGA HP	312	104
315-3M-9	OMEGA HP	315	105
318-3M-9	OMEGA HP	318	106
330-3M-9	OMEGA HP	330	110
333-3M-9	OMEGA HP	333	111
339-3M-9	OMEGA HP	339	113
345-3M-9	OMEGA HP	345	115

PART NUMBER	AVAILABLE BELTS TYPES	PITCH LENGTH (MM)	NO. OF TEETH
357-3M-9	OMEGA HP	357	119
363-3M-9	OMEGA HP	363	121
366-3M-9	OMEGA HP	366	122
384-3M-9	OMEGA HP	384	128
390-3M-9	OMEGA HP	390	130
420-3M-9	OMEGA HP	420	140
426-3M-9	OMEGA HP	426	142
435-3M-9	OMEGA HP	435	145
447-3M-9	OMEGA HP	447	149
462-3M-9	OMEGA HP	462	154
474-3M-9	OMEGA HP	474	158
480-3M-9	OMEGA HP	480	160
486-3M-9	OMEGA HP	486	162
495-3M-9	OMEGA HP	495	165

AVAILABLE TIMING BELT CONSTRUCTION TYPES

OMEGA OMEGA STANDARD TIMING BELT CONSTRUCTION
HP HP HIGH PERFORMANCE, DURABLE & SUPERIOR CONSTRUCTION TIMING BELT

ORDERING EXAMPLES:

180-3M-6 OMEGA, 180mm Pitch Length, 3M Profile Section, 6mm Belt Width
180-3MHP-6 HP, 180mm Pitch Length, 3M Profile Section, 6mm Belt Width

3M SIZES CONTINUED >>

TIMING BELTS
RUBBER

Contact an Optibelt representative regarding additional sizes, stock availability and pricing.
All weights are estimated.

Additional Sizes & Ordering
Additional stocked and custom sizes available.
Contact customer service for details.

***H/PH & K/PK**
section sizes are a non-stocking item.
Contact an Optibelt representative for availability.



3M PROFILE RUBBER TIMING BELTS

PART NUMBER	AVAILABLE BELTS TYPES	PITCH LENGTH (MM)	NO. OF TEETH
501-3M-9	OMEGA HP	501	167
513-3M-9	OMEGA HP	513	171
519-3M-9	OMEGA HP	519	173
522-3M-9	OMEGA HP	522	174
525-3M-9	OMEGA HP	525	175
531-3M-9	OMEGA HP	531	177
537-3M-9	OMEGA HP	537	179
558-3M-9	OMEGA HP	558	186

PART NUMBER	AVAILABLE BELTS TYPES	PITCH LENGTH (MM)	NO. OF TEETH
564-3M-9	OMEGA HP	564	188
570-3M-9	OMEGA HP	570	190
582-3M-9	OMEGA HP	582	194
597-3M-9	OMEGA HP	597	199
600-3M-9	OMEGA HP	600	200
606-3M-9	OMEGA HP	606	202
615-3M-9	OMEGA HP	615	205

PART NUMBER	AVAILABLE BELTS TYPES	PITCH LENGTH (MM)	NO. OF TEETH
633-3M-9	OMEGA HP	633	211
669-3M-9	OMEGA HP	669	223
675-3M-9	OMEGA HP	675	225
711-3M-9	OMEGA HP	711	237
738-3M-9	OMEGA HP	738	237
804-3M-9	OMEGA HP	804	268
816-3M-9	OMEGA HP	816	272

PART NUMBER	AVAILABLE BELTS TYPES	PITCH LENGTH (MM)	NO. OF TEETH
843-3M-9	OMEGA HP	843	281
882-3M-9	OMEGA HP	882	294
888-3M-9	OMEGA HP	888	296
1062-3M-9	OMEGA HP	1062	354
1569-3M-9	OMEGA HP	1569	523
1587-3M-9	OMEGA HP	1587	529
1692-3M-9	OMEGA HP	1692	564

PART NUMBER	AVAILABLE BELTS TYPES	PITCH LENGTH (MM)	NO. OF TEETH
111-3M-15	OMEGA HP	111	37
129-3M-15	OMEGA HP	129	43
141-3M-15	OMEGA HP	141	47
144-3M-15	OMEGA HP	144	48
150-3M-15	OMEGA HP	150	50
159-3M-15	OMEGA HP	159	53
165-3M-15	OMEGA HP	165	55
168-3M-15	OMEGA HP	168	56
171-3M-15	OMEGA HP	171	57
174-3M-15	OMEGA HP	174	58
177-3M-15	OMEGA HP	177	59
180-3M-15	OMEGA HP	180	60
183-3M-15	OMEGA HP	183	61
186-3M-15	OMEGA HP	186	62
192-3M-15	OMEGA HP	192	64
195-3M-15	OMEGA HP	195	65
201-3M-15	OMEGA HP	201	67
204-3M-15	OMEGA HP	204	68
207-3M-15	OMEGA HP	207	69
210-3M-15	OMEGA HP	210	70
213-3M-15	OMEGA HP	213	71
225-3M-15	OMEGA HP	225	75

PART NUMBER	AVAILABLE BELTS TYPES	PITCH LENGTH (MM)	NO. OF TEETH
240-3M-15	OMEGA HP	240	80
246-3M-15	OMEGA HP	246	82
249-3M-15	OMEGA HP	249	83
252-3M-15	OMEGA HP	252	84
255-3M-15	OMEGA HP	255	85
267-3M-15	OMEGA HP	267	89
276-3M-15	OMEGA HP	276	92
282-3M-15	OMEGA HP	282	94
285-3M-15	OMEGA HP	285	85
288-3M-15	OMEGA HP	288	96
291-3M-15	OMEGA HP	291	97
294-3M-15	OMEGA HP	294	98
300-3M-15	OMEGA HP	300	100
312-3M-15	OMEGA HP	312	104
315-3M-15	OMEGA HP	315	105
318-3M-15	OMEGA HP	318	106
330-3M-15	OMEGA HP	330	110
333-3M-15	OMEGA HP	333	111
339-3M-15	OMEGA HP	339	113
345-3M-15	OMEGA HP	345	115
357-3M-15	OMEGA HP	357	119

PART NUMBER	AVAILABLE BELTS TYPES	PITCH LENGTH (MM)	NO. OF TEETH
363-3M-15	OMEGA HP	363	121
366-3M-15	OMEGA HP	366	122
384-3M-15	OMEGA HP	384	128
390-3M-15	OMEGA HP	390	130
420-3M-15	OMEGA HP	420	140
426-3M-15	OMEGA HP	426	142
435-3M-15	OMEGA HP	435	145
447-3M-15	OMEGA HP	447	149
462-3M-15	OMEGA HP	462	154
474-3M-15	OMEGA HP	474	158
480-3M-15	OMEGA HP	480	160
486-3M-15	OMEGA HP	486	162
495-3M-15	OMEGA HP	495	165
501-3M-15	OMEGA HP	501	167
513-3M-15	OMEGA HP	513	171
519-3M-15	OMEGA HP	519	173
522-3M-15	OMEGA HP	522	174
525-3M-15	OMEGA HP	525	175
531-3M-15	OMEGA HP	531	177
537-3M-15	OMEGA HP	537	179
558-3M-15	OMEGA HP	558	186

PART NUMBER	AVAILABLE BELTS TYPES	PITCH LENGTH (MM)	NO. OF TEETH
564-3M-15	OMEGA HP	564	188
570-3M-15	OMEGA HP	570	190
582-3M-15	OMEGA HP	582	194
597-3M-15	OMEGA HP	597	199
600-3M-15	OMEGA HP	600	200
606-3M-15	OMEGA HP	606	202
615-3M-15	OMEGA HP	615	205
633-3M-15	OMEGA HP	633	211
669-3M-15	OMEGA HP	669	223
675-3M-15	OMEGA HP	675	225
711-3M-15	OMEGA HP	711	237
738-3M-15	OMEGA HP	738	237
804-3M-15	OMEGA HP	804	268
816-3M-15	OMEGA HP	816	272
843-3M-15	OMEGA HP	843	281
882-3M-15	OMEGA HP	882	294
888-3M-15	OMEGA HP	888	296
1062-3M-15	OMEGA HP	1062	354
1569-3M-15	OMEGA HP	1569	523
1587-3M-15	OMEGA HP	1587	529
1692-3M-15	OMEGA HP	1692	564

AVAILABLE TIMING BELT CONSTRUCTION TYPES

- OMEGA** OM STANDARD TIMING BELT CONSTRUCTION
- HP** HP HIGH PERFORMANCE, DURABLE & SUPERIOR CONSTRUCTION TIMING BELT

ORDERING EXAMPLES:

- 495-3M-15** OMEGA, 495mm Pitch Length, 3M Profile Section, 15mm Belt Width
- 495-3MHP-15** HP, 495mm Pitch Length, 3M Profile Section, 15mm Belt Width

TIMING BELTS
RUBBER

Contact an Optibelt representative regarding additional sizes, stock availability and pricing.

EXPEDITED SHIPPING: Each Optibelt warehouse facility cuts timing belts to width for faster order service.

Cut to Size Widths

If you need a custom width timing belt, Optibelt has you covered. Each Optibelt facility can cut custom widths. This means you don't have to wait for a manufactured factory order. If it is stock, it can ship!

Need Help?

Contact Optibelt customer service. Our friendly staff is here to assist you.

TOLL FREE: 800-292-6081
E-mail: info@optibelt-usa.com



5M PROFILE RUBBER TIMING BELTS

PART NUMBER	AVAILABLE BELTS TYPES	PITCH LENGTH (MM)	NO. OF TEETH	PART NUMBER	AVAILABLE BELTS TYPES	PITCH LENGTH (MM)	NO. OF TEETH	PART NUMBER	AVAILABLE BELTS TYPES	PITCH LENGTH (MM)	NO. OF TEETH	PART NUMBER	AVAILABLE BELTS TYPES	PITCH LENGTH (MM)	NO. OF TEETH
180-5M-9	OMEGA HP	180	36	460-5M-9	OMEGA HP	460	92	700-5M-9	OMEGA HP	700	140	1000-5M-9	OMEGA HP	1000	200
225-5M-9	OMEGA HP	225	45	475-5M-9	OMEGA HP	475	95	710-5M-9	OMEGA HP	710	142	1025-5M-9	OMEGA HP	1025	205
255-5M-9	OMEGA HP	255	51	490-5M-9	OMEGA HP	490	98	720-5M-9	OMEGA HP	720	144	1035-5M-9	OMEGA HP	1035	207
265-5M-9	OMEGA HP	265	53	500-5M-9	OMEGA HP	500	100	740-5M-9	OMEGA HP	740	148	1050-5M-9	OMEGA HP	1050	210
270-5M-9	OMEGA HP	270	54	520-5M-9	OMEGA HP	520	104	750-5M-9	OMEGA HP	750	150	1100-5M-9	OMEGA HP	1100	220
280-5M-9	OMEGA HP	280	56	525-5M-9	OMEGA HP	525	105	755-5M-9	OMEGA HP	755	151	1125-5M-9	OMEGA HP	1125	225
295-5M-9	OMEGA HP	295	59	535-5M-9	OMEGA HP	535	107	775-5M-9	OMEGA HP	775	155	1135-5M-9	OMEGA HP	1135	227
300-5M-9	OMEGA HP	300	60	540-5M-9	OMEGA HP	540	108	790-5M-9	OMEGA HP	790	158	1200-5M-9	OMEGA HP	1200	240
305-5M-9	OMEGA HP	305	61	550-5M-9	OMEGA HP	550	110	800-5M-9	OMEGA HP	800	160	1270-5M-9	OMEGA HP	1270	254
325-5M-9	OMEGA HP	325	65	560-5M-9	OMEGA HP	560	112	825-5M-9	OMEGA HP	825	165	1380-5M-9	OMEGA HP	1380	276
330-5M-9	OMEGA HP	330	66	565-5M-9	OMEGA HP	565	113	830-5M-9	OMEGA HP	830	166	1400-5M-9	OMEGA HP	1400	280
340-5M-9	OMEGA HP	340	68	575-5M-9	OMEGA HP	575	115	835-5M-9	OMEGA HP	835	167	1420-5M-9	OMEGA HP	1420	284
350-5M-9	OMEGA HP	350	70	580-5M-9	OMEGA HP	580	116	850-5M-9	OMEGA HP	850	170	1425-5M-9	OMEGA HP	1425	285
360-5M-9	OMEGA HP	360	72	600-5M-9	OMEGA HP	600	120	860-5M-9	OMEGA HP	860	172	1500-5M-9	OMEGA HP	1500	300
365-5M-9	OMEGA HP	365	73	610-5M-9	OMEGA HP	610	122	890-5M-9	OMEGA HP	890	178	1595-5M-9	OMEGA HP	1595	319
370-5M-9	OMEGA HP	370	74	615-5M-9	OMEGA HP	615	123	900-5M-9	OMEGA HP	900	180	1690-5M-9	OMEGA HP	1690	338
375-5M-9	OMEGA HP	375	75	630-5M-9	OMEGA HP	630	126	925-5M-9	OMEGA HP	925	185	1790-5M-9	OMEGA HP	1790	358
385-5M-9	OMEGA HP	385	77	635-5M-9	OMEGA HP	635	127	935-5M-9	OMEGA HP	935	187	1870-5M-9	OMEGA HP	1870	374
400-5M-9	OMEGA HP	400	80	640-5M-9	OMEGA HP	640	128	940-5M-9	OMEGA HP	940	188	1895-5M-9	OMEGA HP	1895	379
415-5M-9	OMEGA HP	415	83	645-5M-9	OMEGA HP	645	129	950-5M-9	OMEGA HP	950	190	2000-5M-9	OMEGA HP	2000	400
420-5M-9	OMEGA HP	420	84	650-5M-9	OMEGA HP	650	130	965-5M-9	OMEGA HP	965	193	2110-5M-9	OMEGA HP	2110	422
425-5M-9	OMEGA HP	425	85	665-5M-9	OMEGA HP	665	133	975-5M-9	OMEGA HP	975	195	2350-5M-9	OMEGA HP	2350	470
450-5M-9	OMEGA HP	450	90	670-5M-9	OMEGA HP	670	134	980-5M-9	OMEGA HP	980	196	2525-5M-9	OMEGA HP	2525	505

PART NUMBER	AVAILABLE BELTS TYPES	PITCH LENGTH (MM)	NO. OF TEETH	PART NUMBER	AVAILABLE BELTS TYPES	PITCH LENGTH (MM)	NO. OF TEETH	PART NUMBER	AVAILABLE BELTS TYPES	PITCH LENGTH (MM)	NO. OF TEETH	PART NUMBER	AVAILABLE BELTS TYPES	PITCH LENGTH (MM)	NO. OF TEETH
180-5M-15	OMEGA HP	180	36	350-5M-15	OMEGA HP	350	70	475-5M-15	OMEGA HP	475	95	600-5M-15	OMEGA HP	600	120
225-5M-15	OMEGA HP	225	45	360-5M-15	OMEGA HP	360	72	490-5M-15	OMEGA HP	490	98	610-5M-15	OMEGA HP	610	122
255-5M-15	OMEGA HP	255	51	365-5M-15	OMEGA HP	365	73	500-5M-15	OMEGA HP	500	100	615-5M-15	OMEGA HP	615	123
265-5M-15	OMEGA HP	265	53	370-5M-15	OMEGA HP	370	74	520-5M-15	OMEGA HP	520	104	630-5M-15	OMEGA HP	630	126
270-5M-15	OMEGA HP	270	54	375-5M-15	OMEGA HP	375	75	525-5M-15	OMEGA HP	525	105	635-5M-15	OMEGA HP	635	127
280-5M-15	OMEGA HP	280	56	385-5M-15	OMEGA HP	385	77	535-5M-15	OMEGA HP	535	107	640-5M-15	OMEGA HP	640	128
295-5M-15	OMEGA HP	295	59	400-5M-15	OMEGA HP	400	80	540-5M-15	OMEGA HP	540	108	645-5M-15	OMEGA HP	645	129
300-5M-15	OMEGA HP	300	60	415-5M-15	OMEGA HP	415	83	550-5M-15	OMEGA HP	550	110	650-5M-15	OMEGA HP	650	130
305-5M-15	OMEGA HP	305	61	420-5M-15	OMEGA HP	420	84	560-5M-15	OMEGA HP	560	112	665-5M-15	OMEGA HP	665	133
325-5M-15	OMEGA HP	325	65	425-5M-15	OMEGA HP	425	85	565-5M-15	OMEGA HP	565	113	670-5M-15	OMEGA HP	670	134
330-5M-15	OMEGA HP	330	66	450-5M-15	OMEGA HP	450	90	575-5M-15	OMEGA HP	575	115	700-5M-15	OMEGA HP	700	140
340-5M-15	OMEGA HP	340	68	460-5M-15	OMEGA HP	460	92	580-5M-15	OMEGA HP	580	116	710-5M-15	OMEGA HP	710	142

AVAILABLE TIMING BELT CONSTRUCTION TYPES

OMEGA OMEGA STANDARD TIMING BELT CONSTRUCTION

HP HP HIGH PERFORMANCE, DURABLE & SUPERIOR CONSTRUCTION TIMING BELT

ORDERING EXAMPLES:

665-5M-9 OMEGA, 665mm Pitch Length, 5M Profile Section, 9mm Belt Width

665-5MHP-9 HP, 665mm Pitch Length, 5M Profile Section, 9mm Belt Width

5M SIZES CONTINUED >>

TIMING BELTS
RUBBER

Need Help?
Contact Optibelt customer service. Our friendly staff is here to assist you.

TOLL FREE: 800-292-6081
E-mail: info@optibelt-usa.com

Cut to Size Widths
If you need a custom width timing belt, Optibelt has you covered. Each Optibelt facility can cut custom widths. This means you don't have to wait for a manufactured factory order. If it is stock, it can ship!

Contact an Optibelt representative regarding additional sizes, stock availability and pricing.

EXPEDITED SHIPPING: Each Optibelt warehouse facility cuts timing belts to width for faster order service.



TIMING BELTS, RUBBER

5M PROFILES

SUPERIOR PERFORMANCE

5M PROFILE RUBBER TIMING BELTS

PART NUMBER	AVAILABLE BELTS TYPES	PITCH LENGTH (MM)	NO. OF TEETH
740-5M-15	OMEGA HP	740	148
750-5M-15	OMEGA HP	750	150
755-5M-15	OMEGA HP	755	151
775-5M-15	OMEGA HP	775	155
790-5M-15	OMEGA HP	790	158
800-5M-15	OMEGA HP	800	160
825-5M-15	OMEGA HP	825	165
830-5M-15	OMEGA HP	830	166
835-5M-15	OMEGA HP	835	167
850-5M-15	OMEGA HP	850	170
860-5M-15	OMEGA HP	860	172

PART NUMBER	AVAILABLE BELTS TYPES	PITCH LENGTH (MM)	NO. OF TEETH
890-5M-15	OMEGA HP	890	178
900-5M-15	OMEGA HP	900	180
925-5M-15	OMEGA HP	925	185
935-5M-15	OMEGA HP	935	187
940-5M-15	OMEGA HP	940	188
950-5M-15	OMEGA HP	950	190
965-5M-15	OMEGA HP	965	193
975-5M-15	OMEGA HP	975	195
980-5M-15	OMEGA HP	980	196
1000-5M-15	OMEGA HP	1000	200
1025-5M-15	OMEGA HP	1025	205

PART NUMBER	AVAILABLE BELTS TYPES	PITCH LENGTH (MM)	NO. OF TEETH
1035-5M-15	OMEGA HP	1035	207
1050-5M-15	OMEGA HP	1050	210
1100-5M-15	OMEGA HP	1100	220
1125-5M-15	OMEGA HP	1125	225
1135-5M-15	OMEGA HP	1135	227
1200-5M-15	OMEGA HP	1200	240
1270-5M-15	OMEGA HP	1270	254
1380-5M-15	OMEGA HP	1380	276
1400-5M-15	OMEGA HP	1400	280
1420-5M-15	OMEGA HP	1420	284
1425-5M-15	OMEGA HP	1425	285

PART NUMBER	AVAILABLE BELTS TYPES	PITCH LENGTH (MM)	NO. OF TEETH
1500-5M-15	OMEGA HP	1500	300
1595-5M-15	OMEGA HP	1595	319
1690-5M-15	OMEGA HP	1690	338
1790-5M-15	OMEGA HP	1790	358
1870-5M-15	OMEGA HP	1870	374
1895-5M-15	OMEGA HP	1895	379
2000-5M-15	OMEGA HP	2000	400
2110-5M-15	OMEGA HP	2110	422
2350-5M-15	OMEGA HP	2350	470
2525-5M-15	OMEGA HP	2525	505

PART NUMBER	AVAILABLE BELTS TYPES	PITCH LENGTH (MM)	NO. OF TEETH
180-5M-25	OMEGA HP	180	36
225-5M-25	OMEGA HP	225	45
255-5M-25	OMEGA HP	255	51
265-5M-25	OMEGA HP	265	53
270-5M-25	OMEGA HP	270	54
280-5M-25	OMEGA HP	280	56
295-5M-25	OMEGA HP	295	59
300-5M-25	OMEGA HP	300	60
305-5M-25	OMEGA HP	305	61
325-5M-25	OMEGA HP	325	65
330-5M-25	OMEGA HP	330	66
340-5M-25	OMEGA HP	340	68
350-5M-25	OMEGA HP	350	70
360-5M-25	OMEGA HP	360	72
365-5M-25	OMEGA HP	365	73
370-5M-25	OMEGA HP	370	74
375-5M-25	OMEGA HP	375	75
385-5M-25	OMEGA HP	385	77
400-5M-25	OMEGA HP	400	80
415-5M-25	OMEGA HP	415	83
425-5M-25	OMEGA HP	425	85
450-5M-25	OMEGA HP	450	90
460-5M-25	OMEGA HP	460	92

PART NUMBER	AVAILABLE BELTS TYPES	PITCH LENGTH (MM)	NO. OF TEETH
475-5M-25	OMEGA HP	475	95
490-5M-25	OMEGA HP	490	98
500-5M-25	OMEGA HP	500	100
520-5M-25	OMEGA HP	520	104
525-5M-25	OMEGA HP	525	105
535-5M-25	OMEGA HP	535	107
540-5M-25	OMEGA HP	540	108
550-5M-25	OMEGA HP	550	110
560-5M-25	OMEGA HP	560	112
565-5M-25	OMEGA HP	565	113
575-5M-25	OMEGA HP	575	115
580-5M-25	OMEGA HP	580	116
600-5M-25	OMEGA HP	600	120
610-5M-25	OMEGA HP	610	122
615-5M-25	OMEGA HP	615	123
630-5M-25	OMEGA HP	630	126
635-5M-25	OMEGA HP	635	127
640-5M-25	OMEGA HP	640	128
645-5M-25	OMEGA HP	645	129
650-5M-25	OMEGA HP	650	130
665-5M-25	OMEGA HP	665	133
670-5M-25	OMEGA HP	670	134
700-5M-25	OMEGA HP	700	140

PART NUMBER	AVAILABLE BELTS TYPES	PITCH LENGTH (MM)	NO. OF TEETH
710-5M-25	OMEGA HP	710	142
720-5M-25	OMEGA HP	720	144
740-5M-25	OMEGA HP	740	148
750-5M-25	OMEGA HP	750	150
755-5M-25	OMEGA HP	755	151
775-5M-25	OMEGA HP	775	155
790-5M-25	OMEGA HP	790	158
800-5M-25	OMEGA HP	800	160
825-5M-25	OMEGA HP	825	165
830-5M-25	OMEGA HP	830	166
835-5M-25	OMEGA HP	835	167
850-5M-25	OMEGA HP	850	170
860-5M-25	OMEGA HP	860	172
890-5M-25	OMEGA HP	890	178
900-5M-25	OMEGA HP	900	180
925-5M-25	OMEGA HP	925	185
935-5M-25	OMEGA HP	935	187
940-5M-25	OMEGA HP	940	188
950-5M-25	OMEGA HP	950	190
965-5M-25	OMEGA HP	965	193
975-5M-25	OMEGA HP	975	195
980-5M-25	OMEGA HP	980	196

PART NUMBER	AVAILABLE BELTS TYPES	PITCH LENGTH (MM)	NO. OF TEETH
1000-5M-25	OMEGA HP	1000	200
1025-5M-25	OMEGA HP	1025	205
1035-5M-25	OMEGA HP	1035	207
1050-5M-25	OMEGA HP	1050	210
1100-5M-25	OMEGA HP	1100	220
1125-5M-25	OMEGA HP	1125	225
1135-5M-25	OMEGA HP	1135	227
1200-5M-25	OMEGA HP	1200	240
1270-5M-25	OMEGA HP	1270	254
1380-5M-25	OMEGA HP	1380	276
1420-5M-25	OMEGA HP	1420	284
1425-5M-25	OMEGA HP	1425	285
1500-5M-25	OMEGA HP	1500	300
1595-5M-25	OMEGA HP	1595	319
1690-5M-25	OMEGA HP	1690	338
1790-5M-25	OMEGA HP	1790	358
1870-5M-25	OMEGA HP	1870	374
1895-5M-25	OMEGA HP	1895	379
2000-5M-25	OMEGA HP	2000	400
2110-5M-25	OMEGA HP	2110	422
2350-5M-25	OMEGA HP	2350	470
2525-5M-25	OMEGA HP	2525	505

AVAILABLE TIMING BELT CONSTRUCTION TYPES

OMEGA OMEGA STANDARD TIMING BELT CONSTRUCTION

HP HP HIGH PERFORMANCE, DURABLE & SUPERIOR CONSTRUCTION TIMING BELT

ORDERING EXAMPLES:

950-5M-25 OMEGA, 950mm Pitch Length, 5M Profile Section, 25mm Belt Width

950-5MHP-25 HP, 950mm Pitch Length, 5M Profile Section, 25mm Belt Width

TIMING BELTS
RUBBER

Contact an Optibelt representative regarding additional sizes, stock availability and pricing.

EXPEDITED SHIPPING: Each Optibelt warehouse facility cuts timing belts to width for faster order service.

Cut to Size Widths

If you need a custom width timing belt, Optibelt has you covered. Each Optibelt facility can cut custom widths. This means you don't have to wait for a manufactured factory order. If it is stock, it can ship!

Need Help?

Contact Optibelt customer service. Our friendly staff is here to assist you.

TOLL FREE: 800-292-6081
E-mail: info@optibelt-usa.com



8M PROFILE RUBBER TIMING BELTS

PART NUMBER	AVAILABLE BELT TYPES			PITCH LENGTH (MM)	NO. OF TEETH	PART NUMBER	AVAILABLE BELT TYPES			PITCH LENGTH (MM)	NO. OF TEETH	PART NUMBER	AVAILABLE BELT TYPES			PITCH LENGTH (MM)	NO. OF TEETH
288-8M-20	OMEGA	HP	HL	288	36	856-8M-20	OMEGA	HP	HL	856	107	1360-8M-20	OMEGA	HP	HL	1360	170
320-8M-20	OMEGA	HP		320	40	880-8M-20	OMEGA	HP	HL	880	110	1400-8M-20	OMEGA	HP	HL	1400	175
352-8M-20	OMEGA	HP	HL	352	44	896-8M-20	OMEGA	HP	HL	896	112	1424-8M-20	OMEGA	HP	HL	1424	178
376-8M-20	OMEGA	HP	HL	376	47	912-8M-20	OMEGA	HP	HL	912	114	1432-8M-20	OMEGA	HP		1432	179
416-8M-20	OMEGA	HP	HL	416	52	920-8M-20	OMEGA	HP	HL	920	115	1440-8M-20	OMEGA	HP	HL	1440	180
424-8M-20	OMEGA	HP	HL	424	53	960-8M-20	OMEGA	HP	HL	960	120	1520-8M-20	OMEGA	HP	HL	1520	190
480-8M-20	OMEGA	HP	HL	480	60	976-8M-20	OMEGA	HP	HL	976	122	1552-8M-20	OMEGA	HP	HL	1552	194
512-8M-20	OMEGA	HP		512	64	1000-8M-20	OMEGA	HP	HL	1000	125	1584-8M-20	OMEGA	HP	HL	1584	198
520-8M-20	OMEGA	HP		520	65	1040-8M-20	OMEGA	HP	HL	1040	130	1600-8M-20	OMEGA	HP	HL	1600	200
560-8M-20	OMEGA	HP	HL	560	70	1056-8M-20	OMEGA	HP	HL	1056	132	1680-8M-20	OMEGA	HP	HL	1680	210
576-8M-20	OMEGA	HP	HL	576	72	1064-8M-20	OMEGA	HP	HL	1064	133	1696-8M-20	OMEGA	HP	HL	1696	212
600-8M-20	OMEGA	HP	HL	600	75	1080-8M-20	OMEGA	HP	HL	1080	135	1728-8M-20	OMEGA	HP	HL	1728	216
608-8M-20	OMEGA	HP	HL	608	76	1096-8M-20	OMEGA	HP	HL	1096	137	1760-8M-20	OMEGA	HP	HL	1760	220
624-8M-20	OMEGA	HP		624	78	1120-8M-20	OMEGA	HP	HL	1120	140	1800-8M-20	OMEGA	HP	HL	1800	225
632-8M-20	OMEGA	HP	HL	632	79	1128-8M-20	OMEGA	HP	HL	1128	141	1904-8M-20	OMEGA	HP		1904	238
640-8M-20	OMEGA	HP	HL	640	80	1160-8M-20	OMEGA	HP	HL	1160	145	1936-8M-20	OMEGA	HP	HL	1936	242
656-8M-20	OMEGA	HP	HL	656	82	1184-8M-20	OMEGA	HP	HL	1184	148	2000-8M-20	OMEGA	HP	HL	2000	250
680-8M-20	OMEGA	HP	HL	680	85	1200-8M-20	OMEGA	HP	HL	1200	150	2080-8M-20	OMEGA	HP		2080	260
712-8M-20	OMEGA	HP	HL	712	89	1216-8M-20	OMEGA	HP	HL	1216	152	2104-8M-20	OMEGA	HP		2104	263
720-8M-20	OMEGA	HP	HL	720	90	1224-8M-20	OMEGA	HP	HL	1224	153	2240-8M-20	OMEGA	HP	HL	2240	280
760-8M-20	OMEGA	HP	HL	760	95	1248-8M-20	OMEGA	HP	HL	1248	156	2248-8M-20	OMEGA	HP	HL	2248	281
776-8M-20	OMEGA	HP	HL	776	97	1256-8M-20	OMEGA	HP		1256	157	2272-8M-20	OMEGA	HP	HL	2272	284
784-8M-20	OMEGA	HP	HL	784	98	1264-8M-20	OMEGA	HP		1264	158	2400-8M-20	OMEGA	HP	HL	2400	300
800-8M-20	OMEGA	HP	HL	800	100	1280-8M-20	OMEGA	HP	HL	1280	160	2504-8M-20	OMEGA	HP	HL	2504	313
824-8M-20	OMEGA	HP	HL	824	103	1304-8M-20	OMEGA	HP	HL	1304	163	2600-8M-20	OMEGA	HP	HL	2600	325
840-8M-20	OMEGA	HP	HL	840	105	1328-8M-20	OMEGA	HP		1328	166	2800-8M-20	OMEGA	HP	HL	2800	350
848-8M-20	OMEGA	HP	HL	848	106	1344-8M-20	OMEGA	HP	HL	1344	168	3280-8M-20	OMEGA	HP	HL	3280	410

AVAILABLE TIMING BELT CONSTRUCTION TYPES

- OMEGA** OMEGA STANDARD TIMING BELT CONSTRUCTION
- HP** HP HIGH PERFORMANCE, DURABLE & SUPERIOR CONSTRUCTION TIMING BELT
- HL** HL ULTRA HIGH PERFORMANCE, INDUSTRIAL POWER & DURABILITY CONSTRUCTION TIMING BELT

ORDERING EXAMPLES:

- 2240-8M-20** OMEGA, 2240mm Pitch Length, 8M Profile Section, 20mm Belt Width
- 2240-8MHP-20** HP, 2240mm Pitch Length, 8M Profile Section, 20mm Belt Width
- 2240-8MHL-20** HL, 2240mm Pitch Length, 8M Profile Section, 20mm Belt Width

TIMING BELTS
RUBBER

Need Help?
Contact Optibelt customer service. Our friendly staff is here to assist you.

TOLL FREE: 800-292-6081
E-mail: info@optibelt-usa.com

Cut to Size Widths
If you need a custom width timing belt, Optibelt has you covered. Each Optibelt facility can cut custom widths. This means you don't have to wait for a manufactured factory order. If it is stock, it can ship!

Contact an Optibelt representative regarding additional sizes, stock availability and pricing.

EXPEDITED SHIPPING: Each Optibelt warehouse facility cuts timing belts to width for faster order service.



TIMING BELTS, RUBBER

8M PROFILES

SUPERIOR PERFORMANCE

8M PROFILE RUBBER TIMING BELTS

PART NUMBER	AVAILABLE BELT TYPES			PITCH LENGTH (MM)	NO. OF TEETH	PART NUMBER	AVAILABLE BELT TYPES			PITCH LENGTH (MM)	NO. OF TEETH	PART NUMBER	AVAILABLE BELT TYPES			PITCH LENGTH (MM)	NO. OF TEETH
288-8M-30	OMEGA	HP	HL	288	36	856-8M-30	OMEGA	HP	HL	856	107	1360-8M-30	OMEGA	HP	HL	1360	170
320-8M-30	OMEGA	HP		320	40	880-8M-30	OMEGA	HP	HL	880	110	1400-8M-30	OMEGA	HP	HL	1400	175
352-8M-30	OMEGA	HP		352	44	896-8M-30	OMEGA	HP	HL	896	112	1424-8M-30	OMEGA	HP	HL	1424	178
376-8M-30	OMEGA	HP	HL	376	47	912-8M-30	OMEGA	HP	HL	912	114	1432-8M-30	OMEGA	HP		1432	179
416-8M-30	OMEGA	HP		416	52	920-8M-30	OMEGA	HP	HL	920	115	1440-8M-30	OMEGA	HP	HL	1440	180
424-8M-30	OMEGA	HP	HL	424	53	960-8M-30	OMEGA	HP	HL	960	120	1520-8M-30	OMEGA	HP	HL	1520	190
480-8M-30	OMEGA	HP	HL	480	60	976-8M-30	OMEGA	HP	HL	976	122	1552-8M-30	OMEGA	HP	HL	1552	194
512-8M-30	OMEGA	HP	HL	512	64	1000-8M-30	OMEGA	HP	HL	1000	125	1584-8M-30	OMEGA	HP	HL	1584	198
520-8M-30	OMEGA	HP	HL	520	65	1040-8M-30	OMEGA	HP	HL	1040	130	1600-8M-30	OMEGA	HP	HL	1600	200
560-8M-30	OMEGA	HP		560	70	1056-8M-30	OMEGA	HP	HL	1056	132	1680-8M-30	OMEGA	HP	HL	1680	210
576-8M-30	OMEGA	HP		576	72	1064-8M-30	OMEGA	HP	HL	1064	133	1696-8M-30	OMEGA	HP	HL	1696	212
600-8M-30	OMEGA	HP	HL	600	75	1080-8M-30	OMEGA	HP	HL	1080	135	1728-8M-30	OMEGA	HP	HL	1728	216
608-8M-30	OMEGA	HP	HL	608	76	1096-8M-30	OMEGA	HP	HL	1096	137	1760-8M-30	OMEGA	HP	HL	1760	220
624-8M-30	OMEGA	HP	HL	624	78	1120-8M-30	OMEGA	HP	HL	1120	140	1800-8M-30	OMEGA	HP	HL	1800	225
632-8M-30	OMEGA	HP	HL	632	79	1128-8M-30	OMEGA	HP	HL	1128	141	1904-8M-30	OMEGA	HP		1904	238
640-8M-30	OMEGA	HP		640	80	1160-8M-30	OMEGA	HP	HL	1160	145	1936-8M-30	OMEGA	HP	HL	1936	242
656-8M-30	OMEGA	HP	HL	656	82	1184-8M-30	OMEGA	HP	HL	1184	148	2000-8M-30	OMEGA	HP	HL	2000	250
680-8M-30	OMEGA	HP	HL	680	85	1200-8M-30	OMEGA	HP	HL	1200	150	2080-8M-30	OMEGA	HP		2080	260
712-8M-30	OMEGA	HP	HL	712	89	1216-8M-30	OMEGA	HP	HL	1216	152	2104-8M-30	OMEGA	HP		2104	263
720-8M-30	OMEGA	HP	HL	720	90	1224-8M-30	OMEGA	HP	HL	1224	153	2240-8M-30	OMEGA	HP	HL	2240	280
760-8M-30	OMEGA	HP	HL	760	95	1248-8M-30	OMEGA	HP	HL	1248	156	2248-8M-30	OMEGA	HP	HL	2248	281
776-8M-30	OMEGA	HP	HL	776	97	1256-8M-30	OMEGA	HP		1256	157	2272-8M-30	OMEGA	HP	HL	2272	284
784-8M-30	OMEGA	HP	HL	784	98	1264-8M-30	OMEGA	HP		1264	158	2400-8M-30	OMEGA	HP	HL	2400	300
800-8M-30	OMEGA	HP	HL	800	100	1280-8M-30	OMEGA	HP	HL	1280	160	2504-8M-30	OMEGA	HP	HL	2504	313
824-8M-30	OMEGA	HP	HL	824	103	1304-8M-30	OMEGA	HP	HL	1304	163	2600-8M-30	OMEGA	HP	HL	2600	325
840-8M-30	OMEGA	HP	HL	840	105	1328-8M-30	OMEGA	HP		1328	166	2800-8M-30	OMEGA	HP	HL	2800	350
848-8M-30	OMEGA	HP	HL	848	106	1344-8M-30	OMEGA	HP	HL	1344	168	3280-8M-30	OMEGA	HP	HL	3280	410

AVAILABLE TIMING BELT CONSTRUCTION TYPES

- OMEGA** OMEGA STANDARD TIMING BELT CONSTRUCTION
- HP** HP HIGH PERFORMANCE, DURABLE & SUPERIOR CONSTRUCTION TIMING BELT
- HL** HL ULTRA HIGH PERFORMANCE, INDUSTRIAL POWER & DURABILITY CONSTRUCTION TIMING BELT

ORDERING EXAMPLES:

- 2240-8M-30** OMEGA, 2240mm Pitch Length, 8M Profile Section, 30mm Belt Width
- 2240-8MHP-30** HP, 2240mm Pitch Length, 8M Profile Section, 30mm Belt Width
- 2240-8MHL-30** HL, 2240mm Pitch Length, 8M Profile Section, 30mm Belt Width

TIMING BELTS
RUBBER

Contact an Optibelt representative regarding additional sizes, stock availability and pricing.

EXPEDITED SHIPPING: Each Optibelt warehouse facility cuts timing belts to width for faster order service.

Cut to Size Widths

If you need a custom width timing belt, Optibelt has you covered. Each Optibelt facility can cut custom widths. This means you don't have to wait for a manufactured factory order. If it is stock, it can ship!

Need Help?

Contact Optibelt customer service. Our friendly staff is here to assist you.

TOLL FREE: 800-292-6081
E-mail: info@optibelt-usa.com



8M PROFILE RUBBER TIMING BELTS

PART NUMBER	AVAILABLE BELT TYPES			PITCH LENGTH (MM)	NO. OF TEETH	PART NUMBER	AVAILABLE BELT TYPES			PITCH LENGTH (MM)	NO. OF TEETH	PART NUMBER	AVAILABLE BELT TYPES			PITCH LENGTH (MM)	NO. OF TEETH
	OMEGA	HP	HL				OMEGA	HP	HL				OMEGA	HP	HL		
288-8M-50	OMEGA	HP	HL	288	36	856-8M-50	OMEGA	HP	HL	856	107	1360-8M-50	OMEGA	HP	HL	1360	170
320-8M-50	OMEGA	HP		320	40	880-8M-50	OMEGA	HP	HL	880	110	1400-8M-50	OMEGA	HP	HL	1400	175
352-8M-50	OMEGA	HP	HL	352	44	896-8M-50	OMEGA	HP	HL	896	112	1424-8M-50	OMEGA	HP	HL	1424	178
376-8M-50	OMEGA	HP	HL	376	47	912-8M-50	OMEGA	HP	HL	912	114	1432-8M-50	OMEGA	HP		1432	179
416-8M-50	OMEGA	HP	HL	416	52	920-8M-50	OMEGA	HP	HL	920	115	1440-8M-50	OMEGA	HP	HL	1440	180
424-8M-50	OMEGA	HP	HL	424	53	960-8M-50	OMEGA	HP	HL	960	120	1520-8M-50	OMEGA	HP	HL	1520	190
480-8M-50	OMEGA	HP	HL	480	60	976-8M-50	OMEGA	HP	HL	976	122	1552-8M-50	OMEGA	HP	HL	1552	194
512-8M-50	OMEGA	HP		512	64	1000-8M-50	OMEGA	HP	HL	1000	125	1584-8M-50	OMEGA	HP	HL	1584	198
520-8M-50	OMEGA	HP		520	65	1040-8M-50	OMEGA	HP	HL	1040	130	1600-8M-50	OMEGA	HP	HL	1600	200
560-8M-50	OMEGA	HP	HL	560	70	1056-8M-50	OMEGA	HP	HL	1056	132	1680-8M-50	OMEGA	HP	HL	1680	210
576-8M-50	OMEGA	HP	HL	576	72	1064-8M-50	OMEGA	HP	HL	1064	133	1696-8M-50	OMEGA	HP	HL	1696	212
600-8M-50	OMEGA	HP	HL	600	75	1080-8M-50	OMEGA	HP	HL	1080	135	1728-8M-50	OMEGA	HP	HL	1728	216
608-8M-50	OMEGA	HP	HL	608	76	1096-8M-50	OMEGA	HP	HL	1096	137	1760-8M-50	OMEGA	HP	HL	1760	220
624-8M-50	OMEGA	HP		624	78	1120-8M-50	OMEGA	HP	HL	1120	140	1800-8M-50	OMEGA	HP	HL	1800	225
632-8M-50	OMEGA	HP	HL	632	79	1128-8M-50	OMEGA	HP	HL	1128	141	1904-8M-50	OMEGA	HP		1904	238
640-8M-50	OMEGA	HP	HL	640	80	1160-8M-50	OMEGA	HP	HL	1160	145	1936-8M-50	OMEGA	HP	HL	1936	242
656-8M-50	OMEGA	HP	HL	656	82	1184-8M-50	OMEGA	HP	HL	1184	148	2000-8M-50	OMEGA	HP	HL	2000	250
680-8M-50	OMEGA	HP	HL	680	85	1200-8M-50	OMEGA	HP	HL	1200	150	2080-8M-50	OMEGA	HP		2080	260
712-8M-50	OMEGA	HP	HL	712	89	1216-8M-50	OMEGA	HP	HL	1216	152	2104-8M-50	OMEGA	HP		2104	263
720-8M-50	OMEGA	HP	HL	720	90	1224-8M-50	OMEGA	HP	HL	1224	153	2240-8M-50	OMEGA	HP	HL	2240	280
760-8M-50	OMEGA	HP	HL	760	95	1248-8M-50	OMEGA	HP	HL	1248	156	2248-8M-50	OMEGA	HP	HL	2248	281
776-8M-50	OMEGA	HP	HL	776	97	1256-8M-50	OMEGA	HP		1256	157	2272-8M-50	OMEGA	HP	HL	2272	284
784-8M-50	OMEGA	HP	HL	784	98	1264-8M-50	OMEGA	HP		1264	158	2400-8M-50	OMEGA	HP	HL	2400	300
800-8M-50	OMEGA	HP	HL	800	100	1280-8M-50	OMEGA	HP	HL	1280	160	2504-8M-50	OMEGA	HP	HL	2504	313
824-8M-50	OMEGA	HP	HL	824	103	1304-8M-50	OMEGA	HP	HL	1304	163	2600-8M-50	OMEGA	HP	HL	2600	325
840-8M-50	OMEGA	HP	HL	840	105	1328-8M-50	OMEGA	HP		1328	166	2800-8M-50	OMEGA	HP	HL	2800	350
848-8M-50	OMEGA	HP	HL	848	106	1344-8M-50	OMEGA	HP	HL	1344	168	3280-8M-50	OMEGA	HP	HL	3280	410

AVAILABLE TIMING BELT CONSTRUCTION TYPES

OMEGA OM STANDARD TIMING BELT CONSTRUCTION

HP HP HIGH PERFORMANCE, DURABLE & SUPERIOR CONSTRUCTION TIMING BELT

HL HL ULTRA HIGH PERFORMANCE, INDUSTRIAL POWER & DURABILITY CONSTRUCTION TIMING BELT

ORDERING EXAMPLES:

2600-8M-50 OMEGA, 2600mm Pitch Length, 8M Profile Section, 50mm Belt Width

2600-8MHP-50 HP, 2600mm Pitch Length, 8M Profile Section, 50mm Belt Width

2600-8MHL-50 HL, 2600mm Pitch Length, 8M Profile Section, 50mm Belt Width

TIMING BELTS
RUBBER

Need Help?
Contact Optibelt customer service. Our friendly staff is here to assist you.

TOLL FREE: 800-292-6081
E-mail: info@optibelt-usa.com

Cut to Size Widths
If you need a custom width timing belt, Optibelt has you covered. Each Optibelt facility can cut custom widths. This means you don't have to wait for a manufactured factory order. If it is stock, it can ship!

Contact an Optibelt representative regarding additional sizes, stock availability and pricing.

EXPEDITED SHIPPING: Each Optibelt warehouse facility cuts timing belts to width for faster order service.



8M PROFILE RUBBER TIMING BELTS

PART NUMBER	AVAILABLE BELT TYPES	PITCH LENGTH (MM)	NO. OF TEETH	PART NUMBER	AVAILABLE BELT TYPES	PITCH LENGTH (MM)	NO. OF TEETH	PART NUMBER	AVAILABLE BELT TYPES	PITCH LENGTH (MM)	NO. OF TEETH
288-8M-85	OMEGA HP HL	288	36	856-8M-85	OMEGA HP HL	856	107	1360-8M-85	OMEGA HP HL	1360	170
320-8M-85	OMEGA HP HL	320	40	880-8M-85	OMEGA HP HL	880	110	1400-8M-85	OMEGA HP HL	1400	175
352-8M-85	OMEGA HP HL	352	44	896-8M-85	OMEGA HP HL	896	112	1424-8M-85	OMEGA HP HL	1424	178
376-8M-85	OMEGA HP HL	376	47	912-8M-85	OMEGA HP HL	912	114	1432-8M-85	OMEGA HP HL	1432	179
416-8M-85	OMEGA HP HL	416	52	920-8M-85	OMEGA HP HL	920	115	1440-8M-85	OMEGA HP HL	1440	180
424-8M-85	OMEGA HP HL	424	53	960-8M-85	OMEGA HP HL	960	120	1520-8M-85	OMEGA HP HL	1520	190
480-8M-85	OMEGA HP HL	480	60	976-8M-85	OMEGA HP HL	976	122	1552-8M-85	OMEGA HP HL	1552	194
512-8M-85	OMEGA HP HL	512	64	1000-8M-85	OMEGA HP HL	1000	125	1584-8M-85	OMEGA HP HL	1584	198
520-8M-85	OMEGA HP HL	520	65	1040-8M-85	OMEGA HP HL	1040	130	1600-8M-85	OMEGA HP HL	1600	200
560-8M-85	OMEGA HP HL	560	70	1056-8M-85	OMEGA HP HL	1056	132	1680-8M-85	OMEGA HP HL	1680	210
576-8M-85	OMEGA HP HL	576	72	1064-8M-85	OMEGA HP HL	1064	133	1696-8M-85	OMEGA HP HL	1696	212
600-8M-85	OMEGA HP HL	600	75	1080-8M-85	OMEGA HP HL	1080	135	1728-8M-85	OMEGA HP HL	1728	216
608-8M-85	OMEGA HP HL	608	76	1096-8M-85	OMEGA HP HL	1096	137	1760-8M-85	OMEGA HP HL	1760	220
624-8M-85	OMEGA HP HL	624	78	1120-8M-85	OMEGA HP HL	1120	140	1800-8M-85	OMEGA HP HL	1800	225
632-8M-85	OMEGA HP HL	632	79	1128-8M-85	OMEGA HP HL	1128	141	1904-8M-85	OMEGA HP HL	1904	238
640-8M-85	OMEGA HP HL	640	80	1160-8M-85	OMEGA HP HL	1160	145	1936-8M-85	OMEGA HP HL	1936	242
656-8M-85	OMEGA HP HL	656	82	1184-8M-85	OMEGA HP HL	1184	148	2000-8M-85	OMEGA HP HL	2000	250
680-8M-85	OMEGA HP HL	680	85	1200-8M-85	OMEGA HP HL	1200	150	2080-8M-85	OMEGA HP HL	2080	260
712-8M-85	OMEGA HP HL	712	89	1216-8M-85	OMEGA HP HL	1216	152	2104-8M-85	OMEGA HP HL	2104	263
720-8M-85	OMEGA HP HL	720	90	1224-8M-85	OMEGA HP HL	1224	153	2240-8M-85	OMEGA HP HL	2240	280
760-8M-85	OMEGA HP HL	760	95	1248-8M-85	OMEGA HP HL	1248	156	2248-8M-85	OMEGA HP HL	2248	281
776-8M-85	OMEGA HP HL	776	97	1256-8M-85	OMEGA HP HL	1256	157	2272-8M-85	OMEGA HP HL	2272	284
784-8M-85	OMEGA HP HL	784	98	1264-8M-85	OMEGA HP HL	1264	158	2400-8M-85	OMEGA HP HL	2400	300
800-8M-85	OMEGA HP HL	800	100	1280-8M-85	OMEGA HP HL	1280	160	2504-8M-85	OMEGA HP HL	2504	313
824-8M-85	OMEGA HP HL	824	103	1304-8M-85	OMEGA HP HL	1304	163	2600-8M-85	OMEGA HP HL	2600	325
840-8M-85	OMEGA HP HL	840	105	1328-8M-85	OMEGA HP HL	1328	166	2800-8M-85	OMEGA HP HL	2800	350
848-8M-85	OMEGA HP HL	848	106	1344-8M-85	OMEGA HP HL	1344	168	3280-8M-85	OMEGA HP HL	3280	410

AVAILABLE TIMING BELT CONSTRUCTION TYPES

OMEGA OMEGA STANDARD TIMING BELT CONSTRUCTION

HP HP HIGH PERFORMANCE, DURABLE & SUPERIOR CONSTRUCTION TIMING BELT

HL HL ULTRA HIGH PERFORMANCE, INDUSTRIAL POWER & DURABILITY CONSTRUCTION TIMING BELT

ORDERING EXAMPLES:

2800-8M-85 OMEGA, 2800mm Pitch Length, 8M Profile Section, 85mm Belt Width

2800-8MHP-85 HP, 2800mm Pitch Length, 8M Profile Section, 85mm Belt Width

2800-8MHL-85 HL, 2800mm Pitch Length, 8M Profile Section, 85mm Belt Width

Contact an Optibelt representative regarding additional sizes, stock availability and pricing.

EXPEDITED SHIPPING: Each Optibelt warehouse facility cuts timing belts to width for faster order service.

Cut to Size Widths

If you need a custom width timing belt, Optibelt has you covered. Each Optibelt facility can cut custom widths. This means you don't have to wait for a manufactured factory order. If it is stock, it can ship!

Need Help?

Contact Optibelt customer service. Our friendly staff is here to assist you.

TOLL FREE: 800-292-6081
E-mail: info@optibelt-usa.com



14M PROFILE RUBBER TIMING BELTS

PART NUMBER	AVAILABLE BELT TYPES			PITCH LENGTH (MM)	NO. OF TEETH
924-14M-40	OMEGA	HP		924	66
966-14M-40	OMEGA	HP	HL	966	69
1092-14M-40	OMEGA	HP	HL	1092	78
1190-14M-40	OMEGA	HP	HL	1190	85
1344-14M-40	OMEGA	HP		1344	96
1400-14M-40	OMEGA	HP	HL	1400	100
1456-14M-40	OMEGA	HP	HL	1456	104
1512-14M-40	OMEGA	HP		1512	108

PART NUMBER	AVAILABLE BELT TYPES			PITCH LENGTH (MM)	NO. OF TEETH
1610-14M-40	OMEGA	HP	HL	1610	115
1680-14M-40	OMEGA	HP		1680	120
1778-14M-40	OMEGA	HP	HL	1778	127
1890-14M-40	OMEGA	HP	HL	1890	135
2100-14M-40	OMEGA	HP	HL	2100	150
2310-14M-40	OMEGA	HP	HL	2310	165
2450-14M-40	OMEGA	HP	HL	2450	175
2590-14M-40	OMEGA	HP	HL	2590	185

PART NUMBER	AVAILABLE BELT TYPES			PITCH LENGTH (MM)	NO. OF TEETH
2800-14M-40	OMEGA	HP	HL	2800	200
3150-14M-40	OMEGA	HP	HL	3150	225
3360-14M-40	OMEGA	HP	HL	3360	240
3500-14M-40	OMEGA	HP	HL	3500	250
3850-14M-40	OMEGA	HP	HL	3850	275
4004-14M-40	OMEGA	HP		4004	286
4326-14M-40	OMEGA	HP	HL	4326	309
4578-14M-40	OMEGA	HP	HL	4578	327

PART NUMBER	AVAILABLE BELT TYPES			PITCH LENGTH (MM)	NO. OF TEETH
924-14M-55	OMEGA	HP		924	66
966-14M-55	OMEGA	HP	HL	966	69
1092-14M-55	OMEGA	HP	HL	1092	78
1190-14M-55	OMEGA	HP	HL	1190	85
1344-14M-55	OMEGA	HP		1344	96
1400-14M-55	OMEGA	HP	HL	1400	100
1456-14M-55	OMEGA	HP	HL	1456	104
1512-14M-55	OMEGA	HP		1512	108

PART NUMBER	AVAILABLE BELT TYPES			PITCH LENGTH (MM)	NO. OF TEETH
1610-14M-55	OMEGA	HP	HL	1610	115
1680-14M-55	OMEGA	HP		1680	120
1778-14M-55	OMEGA	HP	HL	1778	127
1890-14M-55	OMEGA	HP	HL	1890	135
2100-14M-55	OMEGA	HP	HL	2100	150
2310-14M-55	OMEGA	HP	HL	2310	165
2450-14M-55	OMEGA	HP	HL	2450	175
2590-14M-55	OMEGA	HP	HL	2590	185

PART NUMBER	AVAILABLE BELT TYPES			PITCH LENGTH (MM)	NO. OF TEETH
2800-14M-55	OMEGA	HP	HL	2800	200
3150-14M-55	OMEGA	HP	HL	3150	225
3360-14M-55	OMEGA	HP	HL	3360	240
3500-14M-55	OMEGA	HP	HL	3500	250
3850-14M-55	OMEGA	HP	HL	3850	275
4004-14M-55	OMEGA	HP		4004	286
4326-14M-55	OMEGA	HP	HL	4326	309
4578-14M-55	OMEGA	HP	HL	4578	327

PART NUMBER	AVAILABLE BELT TYPES			PITCH LENGTH (MM)	NO. OF TEETH
924-14M-85	OMEGA	HP		924	66
966-14M-85	OMEGA	HP	HL	966	69
1092-14M-85	OMEGA	HP	HL	1092	78
1190-14M-85	OMEGA	HP	HL	1190	85
1344-14M-85	OMEGA	HP		1344	96
1400-14M-85	OMEGA	HP	HL	1400	100
1456-14M-85	OMEGA	HP	HL	1456	104
1512-14M-85	OMEGA	HP		1512	108

PART NUMBER	AVAILABLE BELT TYPES			PITCH LENGTH (MM)	NO. OF TEETH
1610-14M-85	OMEGA	HP	HL	1610	115
1680-14M-85	OMEGA	HP		1680	120
1778-14M-85	OMEGA	HP	HL	1778	127
1890-14M-85	OMEGA	HP	HL	1890	135
2100-14M-85	OMEGA	HP	HL	2100	150
2310-14M-85	OMEGA	HP	HL	2310	165
2450-14M-85	OMEGA	HP	HL	2450	175
2590-14M-85	OMEGA	HP	HL	2590	185

PART NUMBER	AVAILABLE BELT TYPES			PITCH LENGTH (MM)	NO. OF TEETH
2800-14M-85	OMEGA	HP	HL	2800	200
3150-14M-85	OMEGA	HP	HL	3150	225
3360-14M-85	OMEGA	HP	HL	3360	240
3500-14M-85	OMEGA	HP	HL	3500	250
3850-14M-85	OMEGA	HP	HL	3850	275
4004-14M-85	OMEGA	HP		4004	286
4326-14M-85	OMEGA	HP	HL	4326	309
4578-14M-85	OMEGA	HP	HL	4578	327

AVAILABLE TIMING BELT CONSTRUCTION TYPES

OMEGA OMEGA STANDARD TIMING BELT CONSTRUCTION

HP HP HIGH PERFORMANCE, DURABLE & SUPERIOR CONSTRUCTION TIMING BELT

HL HL ULTRA HIGH PERFORMANCE, INDUSTRIAL POWER & DURABILITY CONSTRUCTION TIMING BELT

ORDERING EXAMPLES:

3360-14M-55 OMEGA, 3360mm Pitch Length, 14M Profile Section, 55mm Belt Width

3360-14MHP-55 HP, 3360mm Pitch Length, 14M Profile Section, 55mm Belt Width

3360-14MHL-55 HL, 3360mm Pitch Length, 14M Profile Section, 55mm Belt Width

TIMING BELTS
RUBBER

Need Help?
Contact Optibelt customer service. Our friendly staff is here to assist you.

TOLL FREE: 800-292-6081
E-mail: info@optibelt-usa.com

Cut to Size Widths
If you need a custom width timing belt, Optibelt has you covered. Each Optibelt facility can cut custom widths. This means you don't have to wait for a manufactured factory order. If it is stock, it can ship!

Contact an Optibelt representative regarding additional sizes, stock availability and pricing.

EXPEDITED SHIPPING: Each Optibelt warehouse facility cuts timing belts to width for faster order service.



TIMING BELTS, RUBBER

14M PROFILES

SUPERIOR PERFORMANCE

14M PROFILE RUBBER TIMING BELTS

PART NUMBER	AVAILABLE BELT TYPES	PITCH LENGTH (MM)	NO. OF TEETH	PART NUMBER	AVAILABLE BELT TYPES	PITCH LENGTH (MM)	NO. OF TEETH	PART NUMBER	AVAILABLE BELT TYPES	PITCH LENGTH (MM)	NO. OF TEETH
924-14M-115	OMEGA HP	924	66	1610-14M-115	OMEGA HP HL	1610	115	2800-14M-115	OMEGA HP HL	2800	200
966-14M-115	OMEGA HP HL	966	69	1680-14M-115	OMEGA HP	1680	120	3150-14M-115	OMEGA HP HL	3150	225
1092-14M-115	OMEGA HP HL	1092	78	1778-14M-115	OMEGA HP HL	1778	127	3360-14M-115	OMEGA HP HL	3360	240
1190-14M-115	OMEGA HP HL	1190	85	1890-14M-115	OMEGA HP HL	1890	135	3500-14M-115	OMEGA HP HL	3500	250
1344-14M-115	OMEGA HP	1344	96	2100-14M-115	OMEGA HP HL	2100	150	3850-14M-115	OMEGA HP HL	3850	275
1400-14M-115	OMEGA HP HL	1400	100	2310-14M-115	OMEGA HP HL	2310	165	4004-14M-115	OMEGA HP	4004	286
1456-14M-115	OMEGA HP HL	1456	104	2450-14M-115	OMEGA HP HL	2450	175	4326-14M-115	OMEGA HP HL	4326	309
1512-14M-115	OMEGA HP	1512	108	2590-14M-115	OMEGA HP HL	2590	185	4578-14M-115	OMEGA HP HL	4578	327
924-14M-170	OMEGA HP	924	66	1610-14M-170	OMEGA HP HL	1610	115	2800-14M-170	OMEGA HP HL	2800	200
966-14M-170	OMEGA HP HL	966	69	1680-14M-170	OMEGA HP	1680	120	3150-14M-170	OMEGA HP HL	3150	225
1092-14M-170	OMEGA HP HL	1092	78	1778-14M-170	OMEGA HP HL	1778	127	3360-14M-170	OMEGA HP HL	3360	240
1190-14M-170	OMEGA HP HL	1190	85	1890-14M-170	OMEGA HP HL	1890	135	3500-14M-170	OMEGA HP HL	3500	250
1344-14M-170	OMEGA HP	1344	96	2100-14M-170	OMEGA HP HL	2100	150	3850-14M-170	OMEGA HP HL	3850	275
1400-14M-170	OMEGA HP HL	1400	100	2310-14M-170	OMEGA HP HL	2310	165	4004-14M-170	OMEGA HP	4004	286
1456-14M-170	OMEGA HP HL	1456	104	2450-14M-170	OMEGA HP HL	2450	175	4326-14M-170	OMEGA HP HL	4326	309
1512-14M-170	OMEGA HP	1512	108	2590-14M-170	OMEGA HP HL	2590	185	4578-14M-170	OMEGA HP HL	4578	327

AVAILABLE TIMING BELT CONSTRUCTION TYPES

- OMEGA** OMEGA STANDARD TIMING BELT CONSTRUCTION
- HP** HP HIGH PERFORMANCE, DURABLE & SUPERIOR CONSTRUCTION TIMING BELT
- HL** HL ULTRA HIGH PERFORMANCE, INDUSTRIAL POWER & DURABILITY CONSTRUCTION TIMING BELT

ORDERING EXAMPLES:

- 1344-14M-170** OMEGA, 1344mm Pitch Length, 14M Profile Section, 170mm Belt Width
- 1344-14MHP-170** HP, 1344mm Pitch Length, 14M Profile Section, 170mm Belt Width
- 1344-14MHL-170** HL, 1344mm Pitch Length, 14M Profile Section, 170mm Belt Width

TIMING BELTS
RUBBER

Contact an Optibelt representative regarding additional sizes, stock availability and pricing.

EXPEDITED SHIPPING: Each Optibelt warehouse facility cuts timing belts to width for faster order service.

Cut to Size Widths

If you need a custom width timing belt, Optibelt has you covered. Each Optibelt facility can cut custom widths. This means you don't have to wait for a manufactured factory order. If it is stock, it can ship!

Need Help?

Contact Optibelt customer service. Our friendly staff is here to assist you.

TOLL FREE: 800-292-6081
E-mail: info@optibelt-usa.com

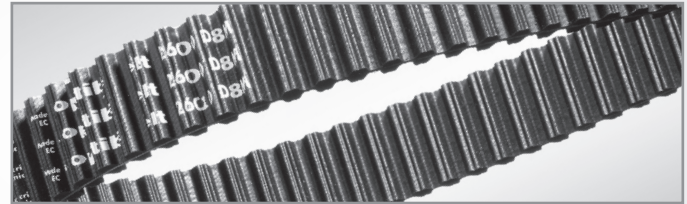


SPECIALTY RUBBER TIMING BELTS

OMEGA, DOUBLE SIDED

OMEGA double sided belts have the same durability and construction of single sided timing belts.

Contact an Optibelt representative regarding additional sizes, availability and pricing.



SECTION	LENGTHS
D3M	SPECIAL ORDER
D5M	1000 – 2525 mm
D8M	1000 – 3280 mm
D14M	SPECIAL ORDER

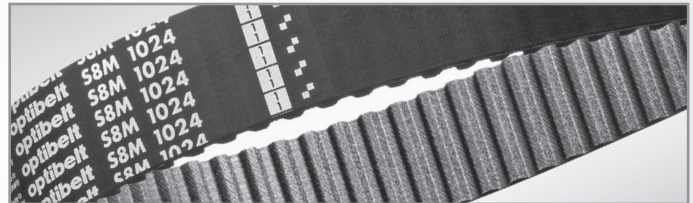
STD TIMING

Optibelt STD® timing belts have semi-circular teeth for superior shear strength. The timing belt tooth geometry combined with the belt structure leads to even load distribution and optimized engagement of the toothed pulleys.

Available in HP or HL constructions; single and double sided profiles. Contact an Optibelt representative regarding additional sizes, availability and pricing.

In-stock inventory available.

Contact an Optibelt representative for details.



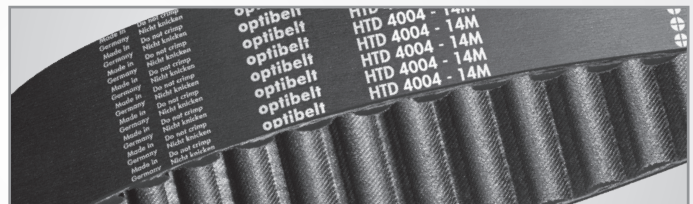
SECTION	LENGTHS
S3M	120 – 633 mm
S5M	255 – 2000 mm
S8M	440 – 3200 mm
S14M	1400 – 5012 mm

HTD TIMING

The Optibelt HTD-timing belts have curvilinear tooth profile for greater tooth shear resistance. The tooth profile and construction produces evenly distributes high loads.

The benefits of the Optibelt HTD timing belts make them suitable for industrial drives, in particular low speed - high torque applications.

Available in single and double sided profiles. Contact an Optibelt representative regarding additional sizes, availability and pricing.



SECTION	LENGTHS
3M	111 – 6600 mm
5M	111 – 6600 mm
8M	111 – 6600 mm
14M	111 – 6600 mm
20M	2000 – 6600 mm

TIMING BELTS
RUBBER

Need Help?

Contact Optibelt customer service. Our friendly staff is here to assist you.

TOLL FREE: 800-292-6081
E-mail: info@optibelt-usa.com

Cut to Size Widths

If you need a custom width timing belt, Optibelt has you covered. Each Optibelt facility can cut custom widths. This means you don't have to wait for a manufactured factory order. If it is stock, it can ship!

Contact an Optibelt representative regarding additional sizes, stock availability and pricing.

EXPEDITED SHIPPING: Each Optibelt warehouse facility cuts timing belts to width for faster order service.



TIMING BELTS, NEOPRENE

MXL PROFILES

SUPERIOR CONSTRUCTION

MXL PROFILE NEOPRENE TIMING BELTS

PART NUMBER	AVAILABLE BELTS TYPES	PITCH LENGTH (MM)	NO. OF TEETH	PART NUMBER	AVAILABLE BELTS TYPES	PITCH LENGTH (MM)	NO. OF TEETH	PART NUMBER	AVAILABLE BELTS TYPES	PITCH LENGTH (MM)	NO. OF TEETH	PART NUMBER	AVAILABLE BELTS TYPES	PITCH LENGTH (MM)	NO. OF TEETH
264MXL012	ZR	2.64	33	704MXL012	ZR	7.04	88	1040MXL012	ZR	10.4	130	1888MXL012	ZR	18.88	236
360MXL012	ZR	3.6	45	728MXL012	ZR	7.28	91	1056MXL012	ZR	10.56	132	1984MXL012	ZR	19.84	248
432MXL012	ZR	4.32	54	736MXL012	ZR	7.36	92	1072MXL012	ZR	10.72	134	1992MXL012	ZR	19.92	249
440MXL012	ZR	4.4	55	752MXL012	ZR	7.52	94	1112MXL012	ZR	11.12	139	2048MXL012	ZR	20.48	256
448MXL012	ZR	4.48	56	760MXL012	ZR	7.6	95	1120MXL012	ZR	11.2	140	2144MXL012	ZR	21.44	268
456MXL012	ZR	4.56	57	776MXL012	ZR	7.76	97	1136MXL012	ZR	11.36	142	2240MXL012	ZR	22.4	280
464MXL012	ZR	4.64	58	800MXL012	ZR	8	100	1176MXL012	ZR	11.76	147	2384MXL012	ZR	23.84	298
480MXL012	ZR	4.8	60	808MXL012	ZR	8.08	101	1184MXL012	ZR	11.84	148	2480MXL012	ZR	24.8	310
488MXL012	ZR	4.88	61	816MXL012	ZR	8.16	102	1200MXL012	ZR	12	150	2520MXL012	ZR	25.2	315
536MXL012	ZR	5.36	67	824MXL012	ZR	8.24	103	1224MXL012	ZR	12.24	153	2680MXL012	ZR	26.8	335
544MXL012	ZR	5.44	68	840MXL012	ZR	8.4	105	1272MXL012	ZR	12.72	159	2776MXL012	ZR	27.76	347
568MXL012	ZR	5.68	71	856MXL012	ZR	8.56	107	1280MXL012	ZR	12.8	160	2880MXL012	ZR	28.8	360
576MXL012	ZR	5.76	72	864MXL012	ZR	8.64	108	1320MXL012	ZR	13.2	165	2920MXL012	ZR	29.2	365
600MXL012	ZR	6	75	912MXL012	ZR	9.12	114	1400MXL012	ZR	14	175	3200MXL012	ZR	32	400
632MXL012	ZR	6.32	79	920MXL012	ZR	9.2	115	1472MXL012	ZR	14.72	184	3472MXL012	ZR	34.72	434
640MXL012	ZR	6.4	80	960MXL012	ZR	9.6	120	1520MXL012	ZR	15.2	190	3624MXL012	ZR	36.24	453
656MXL012	ZR	6.56	82	984MXL012	ZR	9.84	123	1560MXL012	ZR	15.6	195	3704MXL012	ZR	37.04	463
672MXL012	ZR	6.72	84	1000MXL012	ZR	10	125	1600MXL012	ZR	16	200	3784MXL012	ZR	37.84	473
680MXL012	ZR	6.8	85	1008MXL012	ZR	10.08	126	1768MXL012	ZR	17.68	221	4040MXL012	ZR	40.4	505

PART NUMBER	AVAILABLE BELTS TYPES	PITCH LENGTH (MM)	NO. OF TEETH	PART NUMBER	AVAILABLE BELTS TYPES	PITCH LENGTH (MM)	NO. OF TEETH	PART NUMBER	AVAILABLE BELTS TYPES	PITCH LENGTH (MM)	NO. OF TEETH	PART NUMBER	AVAILABLE BELTS TYPES	PITCH LENGTH (MM)	NO. OF TEETH
264MXL019	ZR	2.64	33	704MXL019	ZR	7.04	88	1040MXL019	ZR	10.4	130	1888MXL019	ZR	18.88	236
360MXL019	ZR	3.6	45	728MXL019	ZR	7.28	91	1056MXL019	ZR	10.56	132	1984MXL019	ZR	19.84	248
432MXL019	ZR	4.32	54	736MXL019	ZR	7.36	92	1072MXL019	ZR	10.72	134	1992MXL019	ZR	19.92	249
440MXL019	ZR	4.4	55	752MXL019	ZR	7.52	94	1112MXL019	ZR	11.12	139	2048MXL019	ZR	20.48	256
448MXL019	ZR	4.48	56	760MXL019	ZR	7.6	95	1120MXL019	ZR	11.2	140	2144MXL019	ZR	21.44	268
456MXL019	ZR	4.56	57	776MXL019	ZR	7.76	97	1136MXL019	ZR	11.36	142	2240MXL019	ZR	22.4	280
464MXL019	ZR	4.64	58	800MXL019	ZR	8	100	1176MXL019	ZR	11.76	147	2384MXL019	ZR	23.84	298
480MXL019	ZR	4.8	60	808MXL019	ZR	8.08	101	1184MXL019	ZR	11.84	148	2480MXL019	ZR	24.8	310
488MXL019	ZR	4.88	61	816MXL019	ZR	8.16	102	1200MXL019	ZR	12	150	2520MXL019	ZR	25.2	315
536MXL019	ZR	5.36	67	824MXL019	ZR	8.24	103	1224MXL019	ZR	12.24	153	2680MXL019	ZR	26.8	335
544MXL019	ZR	5.44	68	840MXL019	ZR	8.4	105	1272MXL019	ZR	12.72	159	2776MXL019	ZR	27.76	347
568MXL019	ZR	5.68	71	856MXL019	ZR	8.56	107	1280MXL019	ZR	12.8	160	2880MXL019	ZR	28.8	360
576MXL019	ZR	5.76	72	864MXL019	ZR	8.64	108	1320MXL019	ZR	13.2	165	2920MXL019	ZR	29.2	365
600MXL019	ZR	6	75	912MXL019	ZR	9.12	114	1400MXL019	ZR	14	175	3200MXL019	ZR	32	400
632MXL019	ZR	6.32	79	920MXL019	ZR	9.2	115	1472MXL019	ZR	14.72	184	3472MXL019	ZR	34.72	434
640MXL019	ZR	6.4	80	960MXL019	ZR	9.6	120	1520MXL019	ZR	15.2	190	3624MXL019	ZR	36.24	453
656MXL019	ZR	6.56	82	984MXL019	ZR	9.84	123	1560MXL019	ZR	15.6	195	3704MXL019	ZR	37.04	463
672MXL019	ZR	6.72	84	1000MXL019	ZR	10	125	1600MXL019	ZR	16	200	3784MXL019	ZR	37.84	473
680MXL019	ZR	6.8	85	1008MXL019	ZR	10.08	126	1768MXL019	ZR	17.68	221	4040MXL019	ZR	40.4	505

TIMING BELTS
NEOPRENE

Contact an Optibelt representative regarding additional sizes, stock availability and pricing.

EXPEDITED SHIPPING: Each Optibelt warehouse facility cuts timing belts to width for faster order service.

Cut to Size Widths

If you need a custom width timing belt, Optibelt has you covered. Each Optibelt facility can cut custom widths. This means you don't have to wait for a manufactured factory order. If it is stock, it can ship!

Need Help?

Contact Optibelt customer service. Our friendly staff is here to assist you.

TOLL FREE: 800-292-6081
E-mail: info@optibelt-usa.com



MXL PROFILE NEOPRENE TIMING BELTS

PART NUMBER	AVAILABLE BELTS TYPES	PITCH LENGTH (MM)	NO. OF TEETH	PART NUMBER	AVAILABLE BELTS TYPES	PITCH LENGTH (MM)	NO. OF TEETH	PART NUMBER	AVAILABLE BELTS TYPES	PITCH LENGTH (MM)	NO. OF TEETH	PART NUMBER	AVAILABLE BELTS TYPES	PITCH LENGTH (MM)	NO. OF TEETH
264MXL025	ZR	2.64	33	704MXL025	ZR	7.04	88	1040MXL025	ZR	10.4	130	1888MXL025	ZR	18.88	236
360MXL025	ZR	3.6	45	728MXL025	ZR	7.28	91	1056MXL025	ZR	10.56	132	1984MXL025	ZR	19.84	248
432MXL025	ZR	4.32	54	736MXL025	ZR	7.36	92	1072MXL025	ZR	10.72	134	1992MXL025	ZR	19.92	249
440MXL025	ZR	4.4	55	752MXL025	ZR	7.52	94	1112MXL025	ZR	11.12	139	2048MXL025	ZR	20.48	256
448MXL025	ZR	4.48	56	760MXL025	ZR	7.6	95	1120MXL025	ZR	11.2	140	2144MXL025	ZR	21.44	268
456MXL025	ZR	4.56	57	776MXL025	ZR	7.76	97	1136MXL025	ZR	11.36	142	2240MXL025	ZR	22.4	280
464MXL025	ZR	4.64	58	800MXL025	ZR	8	100	1176MXL025	ZR	11.76	147	2384MXL025	ZR	23.84	298
480MXL025	ZR	4.8	60	808MXL025	ZR	8.08	101	1184MXL025	ZR	11.84	148	2480MXL025	ZR	24.8	310
488MXL025	ZR	4.88	61	816MXL025	ZR	8.16	102	1200MXL025	ZR	12	150	2520MXL025	ZR	25.2	315
536MXL025	ZR	5.36	67	824MXL025	ZR	8.24	103	1224MXL025	ZR	12.24	153	2680MXL025	ZR	26.8	335
544MXL025	ZR	5.44	68	840MXL025	ZR	8.4	105	1272MXL025	ZR	12.72	159	2776MXL025	ZR	27.76	347
568MXL025	ZR	5.68	71	856MXL025	ZR	8.56	107	1280MXL025	ZR	12.8	160	2880MXL025	ZR	28.8	360
576MXL025	ZR	5.76	72	864MXL025	ZR	8.64	108	1320MXL025	ZR	13.2	165	2920MXL025	ZR	29.2	365
600MXL025	ZR	6	75	912MXL025	ZR	9.12	114	1400MXL025	ZR	14	175	3200MXL025	ZR	32	400
632MXL025	ZR	6.32	79	920MXL025	ZR	9.2	115	1472MXL025	ZR	14.72	184	3472MXL025	ZR	34.72	434
640MXL025	ZR	6.4	80	960MXL025	ZR	9.6	120	1520MXL025	ZR	15.2	190	3624MXL025	ZR	36.24	453
656MXL025	ZR	6.56	82	984MXL025	ZR	9.84	123	1560MXL025	ZR	15.6	195	3704MXL025	ZR	37.04	463
672MXL025	ZR	6.72	84	1000MXL025	ZR	10	125	1600MXL025	ZR	16	200	3784MXL025	ZR	37.84	473
680MXL025	ZR	6.8	85	1008MXL025	ZR	10.08	126	1768MXL025	ZR	17.68	221	4040MXL025	ZR	40.4	505

AVAILABLE TIMING BELT CONSTRUCTION TYPES

ZR ZR STANDARD NEOPRENE TIMING BELT CONSTRUCTION

ORDERING EXAMPLES:

576MXL012 ZR, 5.76 in. Pitch Length, MXL Section Size, 0.12 in. Belt Width
2920MXL019 ZR, 29.2 in. Pitch Length, MXL Section Size, 0.19 in. Belt Width
1224MXL025 ZR, 12.24 in. Pitch Length, MXL Section Size, 0.25 in. Belt Width

TIMING BELTS
NEOPRENE

Need Help?
 Contact Optibelt customer service.
 Our friendly staff is here to assist you.

 TOLL FREE: 800-292-6081
 E-mail: info@optibelt-usa.com

Cut to Size Widths
 If you need a custom width timing belt, Optibelt has you covered. Each Optibelt facility can cut custom widths. This means you don't have to wait for a manufactured factory order. If it is stock, it can ship!

Contact an Optibelt representative regarding additional sizes, stock availability and pricing.

EXPEDITED SHIPPING: Each Optibelt warehouse facility cuts timing belts to width for faster order service.



TIMING BELTS, NEOPRENE

XL PROFILES

SUPERIOR CONSTRUCTION

XL PROFILE NEOPRENE TIMING BELTS

PART NUMBER	AVAILABLE BELTS TYPES	PITCH LENGTH (IN)	NO. OF TEETH	PART NUMBER	AVAILABLE BELTS TYPES	PITCH LENGTH (IN)	NO. OF TEETH	PART NUMBER	AVAILABLE BELTS TYPES	PITCH LENGTH (IN)	NO. OF TEETH	PART NUMBER	AVAILABLE BELTS TYPES	PITCH LENGTH (IN)	NO. OF TEETH
60XL025	ZR	6	30	134XL025	ZR	13.4	67	196XL025	ZR	19.6	98	322XL025	ZR	32.2	161
70XL025	ZR	7	35	136XL025	ZR	13.6	68	200XL025	ZR	20	100	330XL025	ZR	33	165
80XL025	ZR	8	40	138XL025	ZR	13.8	69	210XL025	ZR	21	105	340XL025	ZR	34	170
86XL025	ZR	8.6	43	140XL025	ZR	14	70	220XL025	ZR	22	110	344XL025	ZR	34.4	172
88XL025	ZR	8.8	44	142XL025	ZR	14.2	71	230XL025	ZR	23	115	350XL025	ZR	35	175
90XL025	ZR	9	45	148XL025	ZR	14.8	74	240XL025	ZR	24	120	360XL025	ZR	36	180
92XL025	ZR	9.2	46	150XL025	ZR	15	75	244XL025	ZR	24.4	122	380XL025	ZR	38	190
94XL025	ZR	9.4	47	156XL025	ZR	15.6	78	248XL025	ZR	24.8	124	382XL025	ZR	38.2	191
96XL025	ZR	9.6	48	160XL025	ZR	16	80	250XL025	ZR	25	125	388XL025	ZR	38.8	194
98XL025	ZR	9.8	49	162XL025	ZR	16.2	81	260XL025	ZR	26	130	390XL025	ZR	39	195
100XL025	ZR	10	50	166XL025	ZR	16.6	83	270XL025	ZR	27	135	392XL025	ZR	39.2	196
102XL025	ZR	10.2	51	168XL025	ZR	16.8	84	272XL025	ZR	27.2	136	412XL025	ZR	41.2	206
106XL025	ZR	10.6	53	170XL025	ZR	17	85	274XL025	ZR	27.4	137	414XL025	ZR	41.4	207
108XL025	ZR	10.8	54	174XL025	ZR	17.4	87	280XL025	ZR	28	140	432XL025	ZR	43.2	216
110XL025	ZR	11	55	176XL025	ZR	17.6	88	286XL025	ZR	28.6	143	434XL025	ZR	43.4	217
112XL025	ZR	11.2	56	178XL025	ZR	17.8	89	290XL025	ZR	29	145	438XL025	ZR	43.8	219
116XL025	ZR	11.6	58	180XL025	ZR	18	90	296XL025	ZR	29.6	148	460XL025	ZR	46	230
118XL025	ZR	11.8	59	182XL025	ZR	18.2	91	300XL025	ZR	30	150	498XL025	ZR	49.8	249
120XL025	ZR	12	60	184XL025	ZR	18.4	92	306XL025	ZR	30.6	153	506XL025	ZR	50.6	253
124XL025	ZR	12.4	62	188XL025	ZR	18.8	94	310XL025	ZR	31	155	514XL025	ZR	51.4	257
126XL025	ZR	12.6	63	190XL025	ZR	19	95	316XL025	ZR	31.6	158	580XL025	ZR	58	290
128XL025	ZR	12.8	64	192XL025	ZR	19.2	96	320XL025	ZR	32	160	630XL025	ZR	63	315
130XL025	ZR	13	65	194XL025	ZR	19.4	97								

PART NUMBER	AVAILABLE BELTS TYPES	PITCH LENGTH (IN)	NO. OF TEETH	PART NUMBER	AVAILABLE BELTS TYPES	PITCH LENGTH (IN)	NO. OF TEETH	PART NUMBER	AVAILABLE BELTS TYPES	PITCH LENGTH (IN)	NO. OF TEETH	PART NUMBER	AVAILABLE BELTS TYPES	PITCH LENGTH (IN)	NO. OF TEETH
60XL031	ZR	6	30	116XL031	ZR	11.6	58	162XL031	ZR	16.2	81	200XL031	ZR	20	100
70XL031	ZR	7	35	118XL031	ZR	11.8	59	166XL031	ZR	16.6	83	210XL031	ZR	21	105
80XL031	ZR	8	40	120XL031	ZR	12	60	168XL031	ZR	16.8	84	220XL031	ZR	22	110
86XL031	ZR	8.6	43	124XL031	ZR	12.4	62	170XL031	ZR	17	85	230XL031	ZR	23	115
88XL031	ZR	8.8	44	126XL031	ZR	12.6	63	174XL031	ZR	17.4	87	240XL031	ZR	24	120
90XL031	ZR	9	45	128XL031	ZR	12.8	64	176XL031	ZR	17.6	88	244XL031	ZR	24.4	122
92XL031	ZR	9.2	46	130XL031	ZR	13	65	178XL031	ZR	17.8	89	248XL031	ZR	24.8	124
94XL031	ZR	9.4	47	134XL031	ZR	13.4	67	180XL031	ZR	18	90	250XL031	ZR	25	125
96XL031	ZR	9.6	48	136XL031	ZR	13.6	68	182XL031	ZR	18.2	91	260XL031	ZR	26	130
98XL031	ZR	9.8	49	138XL031	ZR	13.8	69	184XL031	ZR	18.4	92	270XL031	ZR	27	135
100XL031	ZR	10	50	140XL031	ZR	14	70	188XL031	ZR	18.8	94	272XL031	ZR	27.2	136
102XL031	ZR	10.2	51	142XL031	ZR	14.2	71	190XL031	ZR	19	95	274XL031	ZR	27.4	137
106XL031	ZR	10.6	53	148XL031	ZR	14.8	74	192XL031	ZR	19.2	96	280XL031	ZR	28	140
108XL031	ZR	10.8	54	150XL031	ZR	15	75	194XL031	ZR	19.4	97	286XL031	ZR	28.6	143
110XL031	ZR	11	55	156XL031	ZR	15.6	78	196XL031	ZR	19.6	98	290XL031	ZR	29	145
112XL031	ZR	11.2	56	160XL031	ZR	16	80								

XL031 SIZES CONTINUED >>

TIMING BELTS
NEOPRENE

Contact an Optibelt representative regarding additional sizes, stock availability and pricing.

EXPEDITED SHIPPING: Each Optibelt warehouse facility cuts timing belts to width for faster order service.

Cut to Size Widths

If you need a custom width timing belt, Optibelt has you covered. Each Optibelt facility can cut custom widths. This means you don't have to wait for a manufactured factory order. If it is stock, it can ship!

Need Help?

Contact Optibelt customer service. Our friendly staff is here to assist you.

TOLL FREE: 800-292-6081
E-mail: info@optibelt-usa.com



XL PROFILE NEOPRENE TIMING BELTS

PART NUMBER	AVAILABLE BELTS TYPES	PITCH LENGTH (IN)	NO. OF TEETH	PART NUMBER	AVAILABLE BELTS TYPES	PITCH LENGTH (IN)	NO. OF TEETH	PART NUMBER	AVAILABLE BELTS TYPES	PITCH LENGTH (IN)	NO. OF TEETH	PART NUMBER	AVAILABLE BELTS TYPES	PITCH LENGTH (IN)	NO. OF TEETH
296XL031	ZR	29.6	148	330XL031	ZR	33	165	388XL031	ZR	38.8	194	438XL031	ZR	43.8	219
300XL031	ZR	30	150	340XL031	ZR	34	170	390XL031	ZR	39	195	460XL031	ZR	46	230
306XL031	ZR	30.6	153	344XL031	ZR	34.4	172	392XL031	ZR	39.2	196	498XL031	ZR	49.8	249
310XL031	ZR	31	155	350XL031	ZR	35	175	412XL031	ZR	41.2	206	506XL031	ZR	50.6	253
316XL031	ZR	31.6	158	360XL031	ZR	36	180	414XL031	ZR	41.4	207	514XL031	ZR	51.4	257
320XL031	ZR	32	160	380XL031	ZR	38	190	432XL031	ZR	43.2	216	580XL031	ZR	58	290
322XL031	ZR	32.2	161	382XL031	ZR	38.2	191	434XL031	ZR	43.4	217	630XL031	ZR	63	315

PART NUMBER	AVAILABLE BELTS TYPES	PITCH LENGTH (IN)	NO. OF TEETH	PART NUMBER	AVAILABLE BELTS TYPES	PITCH LENGTH (IN)	NO. OF TEETH	PART NUMBER	AVAILABLE BELTS TYPES	PITCH LENGTH (IN)	NO. OF TEETH	PART NUMBER	AVAILABLE BELTS TYPES	PITCH LENGTH (IN)	NO. OF TEETH
60XL037	ZR	6	30	134XL037	ZR	13.4	67	196XL037	ZR	19.6	98	322XL037	ZR	32.2	161
70XL037	ZR	7	35	136XL037	ZR	13.6	68	200XL037	ZR	20	100	330XL037	ZR	33	165
80XL037	ZR	8	40	138XL037	ZR	13.8	69	210XL037	ZR	21	105	340XL037	ZR	34	170
86XL037	ZR	8.6	43	140XL037	ZR	14	70	220XL037	ZR	22	110	344XL037	ZR	34.4	172
88XL037	ZR	8.8	44	142XL037	ZR	14.2	71	230XL037	ZR	23	115	350XL037	ZR	35	175
90XL037	ZR	9	45	148XL037	ZR	14.8	74	240XL037	ZR	24	120	360XL037	ZR	36	180
92XL037	ZR	9.2	46	150XL037	ZR	15	75	244XL037	ZR	24.4	122	380XL037	ZR	38	190
94XL037	ZR	9.4	47	156XL037	ZR	15.6	78	248XL037	ZR	24.8	124	382XL037		38.2	191
96XL037	ZR	9.6	48	160XL037	ZR	16	80	250XL037	ZR	25	125	388XL037	ZR	38.8	194
98XL037	ZR	9.8	49	162XL037	ZR	16.2	81	260XL037	ZR	26	130	390XL037	ZR	39	195
100XL037	ZR	10	50	166XL037	ZR	16.6	83	270XL037	ZR	27	135	392XL037	ZR	39.2	196
102XL037	ZR	10.2	51	168XL037	ZR	16.8	84	272XL037	ZR	27.2	136	412XL037	ZR	41.2	206
106XL037	ZR	10.6	53	170XL037	ZR	17	85	274XL037	ZR	27.4	137	414XL037	ZR	41.4	207
108XL037	ZR	10.8	54	174XL037	ZR	17.4	87	280XL037	ZR	28	140	432XL037	ZR	43.2	216
110XL037	ZR	11	55	176XL037	ZR	17.6	88	286XL037	ZR	28.6	143	434XL037	ZR	43.4	217
112XL037	ZR	11.2	56	178XL037	ZR	17.8	89	290XL037	ZR	29	145	438XL037	ZR	43.8	219
116XL037	ZR	11.6	58	180XL037	ZR	18	90	296XL037	ZR	29.6	148	460XL037	ZR	46	230
118XL037	ZR	11.8	59	182XL037	ZR	18.2	91	300XL037	ZR	30	150	498XL037	ZR	49.8	249
120XL037	ZR	12	60	184XL037	ZR	18.4	92	306XL037	ZR	30.6	153	506XL037	ZR	50.6	253
124XL037	ZR	12.4	62	188XL037	ZR	18.8	94	310XL037	ZR	31	155	514XL037	ZR	51.4	257
126XL037	ZR	12.6	63	190XL037	ZR	19	95	316XL037	ZR	31.6	158	580XL037	ZR	58	290
128XL037	ZR	12.8	64	192XL037	ZR	19.2	96	320XL037	ZR	32	160	630XL037	ZR	63	315
130XL037	ZR	13	65	194XL037	ZR	19.4	97								

AVAILABLE TIMING BELT CONSTRUCTION TYPES

ZR ZR STANDARD NEOPRENE TIMING BELT CONSTRUCTION

ORDERING EXAMPLES:

- 322XL025** ZR, 32.2 in. Pitch Length, XL Section Size, 0.25 in. Belt Width
- 180XL031** ZR, 18.0 in. Pitch Length, XL Section Size, 0.31 in. Belt Width
- 116XL037** ZR, 11.6 in. Pitch Length, XL Section Size, 0.37 in. Belt Width

TIMING BELTS
NEOPRENE

Need Help?
Contact Optibelt customer service. Our friendly staff is here to assist you.

TOLL FREE: 800-292-6081
E-mail: info@optibelt-usa.com

Cut to Size Widths
If you need a custom width timing belt, Optibelt has you covered. Each Optibelt facility can cut custom widths. This means you don't have to wait for a manufactured factory order. If it is stock, it can ship!

Contact an Optibelt representative regarding additional sizes, stock availability and pricing.

EXPEDITED SHIPPING: Each Optibelt warehouse facility cuts timing belts to width for faster order service.



TIMING BELTS, NEOPRENE

XL PROFILES

SUPERIOR CONSTRUCTION

XL PROFILE NEOPRENE TIMING BELTS

PART NUMBER	AVAILABLE BELTS TYPES	PITCH LENGTH (IN)	NO. OF TEETH	PART NUMBER	AVAILABLE BELTS TYPES	PITCH LENGTH (IN)	NO. OF TEETH	PART NUMBER	AVAILABLE BELTS TYPES	PITCH LENGTH (IN)	NO. OF TEETH	PART NUMBER	AVAILABLE BELTS TYPES	PITCH LENGTH (IN)	NO. OF TEETH
60XL050	ZR	6	30	134XL050	ZR	13.4	67	196XL050	ZR	19.6	98	322XL050	ZR	32.2	161
70XL050	ZR	7	35	136XL050	ZR	13.6	68	200XL050	ZR	20	100	330XL050	ZR	33	165
80XL050	ZR	8	40	138XL050	ZR	13.8	69	210XL050	ZR	21	105	340XL050	ZR	34	170
86XL050	ZR	8.6	43	140XL050	ZR	14	70	220XL050	ZR	22	110	344XL050	ZR	34.4	172
88XL050	ZR	8.8	44	142XL050	ZR	14.2	71	230XL050	ZR	23	115	350XL050	ZR	35	175
90XL050	ZR	9	45	148XL050	ZR	14.8	74	240XL050	ZR	24	120	360XL050	ZR	36	180
92XL050	ZR	9.2	46	150XL050	ZR	15	75	244XL050	ZR	24.4	122	380XL050	ZR	38	190
94XL050	ZR	9.4	47	156XL050	ZR	15.6	78	248XL050	ZR	24.8	124	382XL050	ZR	38.2	191
96XL050	ZR	9.6	48	160XL050	ZR	16	80	250XL050	ZR	25	125	388XL050	ZR	38.8	194
98XL050	ZR	9.8	49	162XL050	ZR	16.2	81	260XL050	ZR	26	130	390XL050	ZR	39	195
100XL050	ZR	10	50	166XL050	ZR	16.6	83	270XL050	ZR	27	135	392XL050	ZR	39.2	196
102XL050	ZR	10.2	51	168XL050	ZR	16.8	84	272XL050	ZR	27.2	136	412XL050	ZR	41.2	206
106XL050	ZR	10.6	53	170XL050	ZR	17	85	274XL050	ZR	27.4	137	414XL050	ZR	41.4	207
108XL050	ZR	10.8	54	174XL050	ZR	17.4	87	280XL050	ZR	28	140	432XL050	ZR	43.2	216
110XL050	ZR	11	55	176XL050	ZR	17.6	88	286XL050	ZR	28.6	143	434XL050	ZR	43.4	217
112XL050	ZR	11.2	56	178XL050	ZR	17.8	89	290XL050	ZR	29	145	438XL050	ZR	43.8	219
116XL050	ZR	11.6	58	180XL050	ZR	18	90	296XL050	ZR	29.6	148	460XL050	ZR	46	230
118XL050	ZR	11.8	59	182XL050	ZR	18.2	91	300XL050	ZR	30	150	498XL050	ZR	49.8	249
120XL050	ZR	12	60	184XL050	ZR	18.4	92	306XL050	ZR	30.6	153	506XL050	ZR	50.6	253
124XL050	ZR	12.4	62	188XL050	ZR	18.8	94	310XL050	ZR	31	155	514XL050	ZR	51.4	257
126XL050	ZR	12.6	63	190XL050	ZR	19	95	316XL050	ZR	31.6	158	580XL050	ZR	58	290
128XL050	ZR	12.8	64	192XL050	ZR	19.2	96	320XL050	ZR	32	160	630XL050	ZR	63	315
130XL050	ZR	13	65	194XL050	ZR	19.4	97								

PART NUMBER	AVAILABLE BELTS TYPES	PITCH LENGTH (IN)	NO. OF TEETH	PART NUMBER	AVAILABLE BELTS TYPES	PITCH LENGTH (IN)	NO. OF TEETH	PART NUMBER	AVAILABLE BELTS TYPES	PITCH LENGTH (IN)	NO. OF TEETH	PART NUMBER	AVAILABLE BELTS TYPES	PITCH LENGTH (IN)	NO. OF TEETH
60XL075	ZR	6	30	116XL075	ZR	11.6	58	162XL075	ZR	16.2	81	200XL075	ZR	20	100
70XL075	ZR	7	35	118XL075	ZR	11.8	59	166XL075	ZR	16.6	83	210XL075	ZR	21	105
80XL075	ZR	8	40	120XL075	ZR	12	60	168XL075	ZR	16.8	84	220XL075	ZR	22	110
86XL075	ZR	8.6	43	124XL075	ZR	12.4	62	170XL075	ZR	17	85	230XL075	ZR	23	115
88XL075	ZR	8.8	44	126XL075	ZR	12.6	63	174XL075	ZR	17.4	87	240XL075	ZR	24	120
90XL075	ZR	9	45	128XL075	ZR	12.8	64	176XL075	ZR	17.6	88	244XL075	ZR	24.4	122
92XL075	ZR	9.2	46	130XL075	ZR	13	65	178XL075	ZR	17.8	89	248XL075	ZR	24.8	124
94XL075	ZR	9.4	47	134XL075	ZR	13.4	67	180XL075	ZR	18	90	250XL075	ZR	25	125
96XL075	ZR	9.6	48	136XL075	ZR	13.6	68	182XL075	ZR	18.2	91	260XL075	ZR	26	130
98XL075	ZR	9.8	49	138XL075	ZR	13.8	69	184XL075	ZR	18.4	92	270XL075	ZR	27	135
100XL075	ZR	10	50	140XL075	ZR	14	70	188XL075	ZR	18.8	94	272XL075	ZR	27.2	136
102XL075	ZR	10.2	51	142XL075	ZR	14.2	71	190XL075	ZR	19	95	274XL075	ZR	27.4	137
106XL075	ZR	10.6	53	148XL075	ZR	14.8	74	192XL075	ZR	19.2	96	280XL075	ZR	28	140
108XL075	ZR	10.8	54	150XL075	ZR	15	75	194XL075	ZR	19.4	97	286XL075	ZR	28.6	143
110XL075	ZR	11	55	156XL075	ZR	15.6	78	196XL075	ZR	19.6	98	290XL075	ZR	29	145
112XL075	ZR	11.2	56	160XL075	ZR	16	80								

XL075 SIZES CONTINUED >>

TIMING BELTS
NEOPRENE

Contact an Optibelt representative regarding additional sizes, stock availability and pricing.

EXPEDITED SHIPPING: Each Optibelt warehouse facility cuts timing belts to width for faster order service.

Cut to Size Widths

If you need a custom width timing belt, Optibelt has you covered. Each Optibelt facility can cut custom widths. This means you don't have to wait for a manufactured factory order. If it is stock, it can ship!

Need Help?

Contact Optibelt customer service. Our friendly staff is here to assist you.

TOLL FREE: 800-292-6081
E-mail: info@optibelt-usa.com



XL PROFILE NEOPRENE TIMING BELTS

PART NUMBER	AVAILABLE BELTS TYPES	PITCH LENGTH (IN)	NO. OF TEETH	PART NUMBER	AVAILABLE BELTS TYPES	PITCH LENGTH (IN)	NO. OF TEETH	PART NUMBER	AVAILABLE BELTS TYPES	PITCH LENGTH (IN)	NO. OF TEETH	PART NUMBER	AVAILABLE BELTS TYPES	PITCH LENGTH (IN)	NO. OF TEETH
296XL075	ZR	29.6	148	330XL075	ZR	33	165	388XL075	ZR	38.8	194	438XL075	ZR	43.8	219
300XL075	ZR	30	150	340XL075	ZR	34	170	390XL075	ZR	39	195	460XL075	ZR	46	230
306XL075	ZR	30.6	153	344XL075	ZR	34.4	172	392XL075	ZR	39.2	196	498XL075	ZR	49.8	249
310XL075	ZR	31	155	350XL075	ZR	35	175	412XL075	ZR	41.2	206	506XL075	ZR	50.6	253
316XL075	ZR	31.6	158	360XL075	ZR	36	180	414XL075	ZR	41.4	207	514XL075	ZR	51.4	257
320XL075	ZR	32	160	380XL075	ZR	38	190	432XL075	ZR	43.2	216	580XL075	ZR	58	290
322XL075	ZR	32.2	161	382XL075	ZR	38.2	191	434XL075	ZR	43.4	217	630XL075	ZR	63	315

PART NUMBER	AVAILABLE BELTS TYPES	PITCH LENGTH (IN)	NO. OF TEETH	PART NUMBER	AVAILABLE BELTS TYPES	PITCH LENGTH (IN)	NO. OF TEETH	PART NUMBER	AVAILABLE BELTS TYPES	PITCH LENGTH (IN)	NO. OF TEETH	PART NUMBER	AVAILABLE BELTS TYPES	PITCH LENGTH (IN)	NO. OF TEETH
60XL100	ZR	6	30	134XL100	ZR	13.4	67	196XL100	ZR	19.6	98	322XL100	ZR	32.2	161
70XL100	ZR	7	35	136XL100	ZR	13.6	68	200XL100	ZR	20	100	330XL100	ZR	33	165
80XL100	ZR	8	40	138XL100	ZR	13.8	69	210XL100	ZR	21	105	340XL100	ZR	34	170
86XL100	ZR	8.6	43	140XL100	ZR	14	70	220XL100	ZR	22	110	344XL100	ZR	34.4	172
88XL100	ZR	8.8	44	142XL100	ZR	14.2	71	230XL100	ZR	23	115	350XL100	ZR	35	175
90XL100	ZR	9	45	148XL100	ZR	14.8	74	240XL100	ZR	24	120	360XL100	ZR	36	180
92XL100	ZR	9.2	46	150XL100	ZR	15	75	244XL100	ZR	24.4	122	380XL100	ZR	38	190
94XL100	ZR	9.4	47	156XL100	ZR	15.6	78	248XL100	ZR	24.8	124	382XL100		38.2	191
96XL100	ZR	9.6	48	160XL100	ZR	16	80	250XL100	ZR	25	125	388XL100	ZR	38.8	194
98XL100	ZR	9.8	49	162XL100	ZR	16.2	81	260XL100	ZR	26	130	390XL100	ZR	39	195
100XL100	ZR	10	50	166XL100	ZR	16.6	83	270XL100	ZR	27	135	392XL100	ZR	39.2	196
102XL100	ZR	10.2	51	168XL100	ZR	16.8	84	272XL100	ZR	27.2	136	412XL100	ZR	41.2	206
106XL100	ZR	10.6	53	170XL100	ZR	17	85	274XL100	ZR	27.4	137	414XL100	ZR	41.4	207
108XL100	ZR	10.8	54	174XL100	ZR	17.4	87	280XL100	ZR	28	140	432XL100	ZR	43.2	216
110XL100	ZR	11	55	176XL100	ZR	17.6	88	286XL100	ZR	28.6	143	434XL100	ZR	43.4	217
112XL100	ZR	11.2	56	178XL100	ZR	17.8	89	290XL100	ZR	29	145	438XL100	ZR	43.8	219
116XL100	ZR	11.6	58	180XL100	ZR	18	90	296XL100	ZR	29.6	148	460XL100	ZR	46	230
118XL100	ZR	11.8	59	182XL100	ZR	18.2	91	300XL100	ZR	30	150	498XL100	ZR	49.8	249
120XL100	ZR	12	60	184XL100	ZR	18.4	92	306XL100	ZR	30.6	153	506XL100	ZR	50.6	253
124XL100	ZR	12.4	62	188XL100	ZR	18.8	94	310XL100	ZR	31	155	514XL100	ZR	51.4	257
126XL100	ZR	12.6	63	190XL100	ZR	19	95	316XL100	ZR	31.6	158	580XL100	ZR	58	290
128XL100	ZR	12.8	64	192XL100	ZR	19.2	96	320XL100	ZR	32	160	630XL100	ZR	63	315
130XL100	ZR	13	65	194XL100	ZR	19.4	97								

AVAILABLE TIMING BELT CONSTRUCTION TYPES

ZR ZR STANDARD NEOPRENE TIMING BELT CONSTRUCTION

ORDERING EXAMPLES:

- 108XL050** ZR, 10.8 in. Pitch Length, XL Section Size, 0.50 in. Belt Width
- 142XL075** ZR, 14.2 in. Pitch Length, XL Section Size, 0.75 in. Belt Width
- 320XL100** ZR, 32.0 in. Pitch Length, XL Section Size, 1.0 in. Belt Width

TIMING BELTS
NEOPRENE

Need Help?
Contact Optibelt customer service. Our friendly staff is here to assist you.

TOLL FREE: 800-292-6081
E-mail: info@optibelt-usa.com

Cut to Size Widths
If you need a custom width timing belt, Optibelt has you covered. Each Optibelt facility can cut custom widths. This means you don't have to wait for a manufactured factory order. If it is stock, it can ship!

Contact an Optibelt representative regarding additional sizes, stock availability and pricing.

EXPEDITED SHIPPING: Each Optibelt warehouse facility cuts timing belts to width for faster order service.



TIMING BELTS, NEOPRENE

L PROFILES

SUPERIOR CONSTRUCTION

L PROFILE NEOPRENE TIMING BELTS

PART NUMBER	AVAILABLE BELTS TYPES	PITCH LENGTH (IN)	NO. OF TEETH	PART NUMBER	AVAILABLE BELTS TYPES	PITCH LENGTH (IN)	NO. OF TEETH	PART NUMBER	AVAILABLE BELTS TYPES	PITCH LENGTH (IN)	NO. OF TEETH	PART NUMBER	AVAILABLE BELTS TYPES	PITCH LENGTH (IN)	NO. OF TEETH
109L050	ZR	10.9	29	236L050	ZR	23.6	63	360L050	ZR	36	96	450L050	ZR	45	120
124L050	ZR	12.4	33	240L050	ZR	24	64	367L050	ZR	36.7	98	454L050	ZR	45.4	121
150L050	ZR	15	40	255L050	ZR	25.5	68	375L050	ZR	37.5	100	480L050	ZR	48	128
165L050	ZR	16.5	44	259L050	ZR	25.9	69	390L050	ZR	39	104	510L050	ZR	51	136
169L050	ZR	16.9	45	263L050	ZR	26.3	70	405L050	ZR	40.5	108	525L050	ZR	52.5	140
173L050	ZR	17.3	46	270L050	ZR	27	72	420L050	ZR	42	112	540L050	ZR	54	144
187L050	ZR	18.7	50	285L050	ZR	28.5	76	424L050	ZR	42.4	113	600L050	ZR	60	160
202L050	ZR	20.2	54	300L050	ZR	30	80	427L050	ZR	42.7	114	630L050	ZR	63	168
210L050	ZR	21	56	322L050	ZR	32.2	86	435L050	ZR	43.5	116	660L050	ZR	66	176
225L050	ZR	22.5	60	345L050	ZR	34.5	92	439L050	ZR	43.9	117	817L050	ZR	81.7	218
232L050	ZR	23.2	62												

PART NUMBER	AVAILABLE BELTS TYPES	PITCH LENGTH (IN)	NO. OF TEETH	PART NUMBER	AVAILABLE BELTS TYPES	PITCH LENGTH (IN)	NO. OF TEETH	PART NUMBER	AVAILABLE BELTS TYPES	PITCH LENGTH (IN)	NO. OF TEETH	PART NUMBER	AVAILABLE BELTS TYPES	PITCH LENGTH (IN)	NO. OF TEETH
109L075	ZR	10.9	29	236L075	ZR	23.6	63	360L075	ZR	36	96	450L075	ZR	45	120
124L075	ZR	12.4	33	240L075	ZR	24	64	367L075	ZR	36.7	98	454L075	ZR	45.4	121
150L075	ZR	15	40	255L075	ZR	25.5	68	375L075	ZR	37.5	100	480L075	ZR	48	128
165L075	ZR	16.5	44	259L075	ZR	25.9	69	390L075	ZR	39	104	510L075	ZR	51	136
169L075	ZR	16.9	45	263L075	ZR	26.3	70	405L075	ZR	40.5	108	525L075	ZR	52.5	140
173L075	ZR	17.3	46	270L075	ZR	27	72	420L075	ZR	42	112	540L075	ZR	54	144
187L075	ZR	18.7	50	285L075	ZR	28.5	76	424L075	ZR	42.4	113	600L075	ZR	60	160
202L075	ZR	20.2	54	300L075	ZR	30	80	427L075	ZR	42.7	114	630L075	ZR	63	168
210L075	ZR	21	56	322L075	ZR	32.2	86	435L075	ZR	43.5	116	660L075	ZR	66	176
225L075	ZR	22.5	60	345L075	ZR	34.5	92	439L075	ZR	43.9	117	817L075	ZR	81.7	218
232L075	ZR	23.2	62												

PART NUMBER	AVAILABLE BELTS TYPES	PITCH LENGTH (IN)	NO. OF TEETH	PART NUMBER	AVAILABLE BELTS TYPES	PITCH LENGTH (IN)	NO. OF TEETH	PART NUMBER	AVAILABLE BELTS TYPES	PITCH LENGTH (IN)	NO. OF TEETH	PART NUMBER	AVAILABLE BELTS TYPES	PITCH LENGTH (IN)	NO. OF TEETH
109L100	ZR	10.9	29	236L100	ZR	23.6	63	360L100	ZR	36	96	450L100	ZR	45	120
124L100	ZR	12.4	33	240L100	ZR	24	64	367L100	ZR	36.7	98	454L100	ZR	45.4	121
150L100	ZR	15	40	255L100	ZR	25.5	68	375L100	ZR	37.5	100	480L100	ZR	48	128
165L100	ZR	16.5	44	259L100	ZR	25.9	69	390L100	ZR	39	104	510L100	ZR	51	136
169L100	ZR	16.9	45	263L100	ZR	26.3	70	405L100	ZR	40.5	108	525L100	ZR	52.5	140
173L100	ZR	17.3	46	270L100	ZR	27	72	420L100	ZR	42	112	540L100	ZR	54	144
187L100	ZR	18.7	50	285L100	ZR	28.5	76	424L100	ZR	42.4	113	600L100	ZR	60	160
202L100	ZR	20.2	54	300L100	ZR	30	80	427L100	ZR	42.7	114	630L100	ZR	63	168
210L100	ZR	21	56	322L100	ZR	32.2	86	435L100	ZR	43.5	116	660L100	ZR	66	176
225L100	ZR	22.5	60	345L100	ZR	34.5	92	439L100	ZR	43.9	117	817L100	ZR	81.7	218
232L100	ZR	23.2	62												

AVAILABLE TIMING BELT CONSTRUCTION TYPES

ZR ZR STANDARD NEOPRENE TIMING BELT CONSTRUCTION

ORDERING EXAMPLES:

124L050 ZR, 12.4 in. Pitch Length, L Section Size, 0.50 in. Belt Width
345L075 ZR, 34.5 in. Pitch Length, L Section Size, 0.75 in. Belt Width
660L100 ZR, 66.0 in. Pitch Length, L Section Size, 1.0 in. Belt Width

TIMING BELTS
NEOPRENE

Contact an Optibelt representative regarding additional sizes, stock availability and pricing.

EXPEDITED SHIPPING: Each Optibelt warehouse facility cuts timing belts to width for faster order service.

Cut to Size Widths

If you need a custom width timing belt, Optibelt has you covered. Each Optibelt facility can cut custom widths. This means you don't have to wait for a manufactured factory order. If it is stock, it can ship!

Need Help?

Contact Optibelt customer service. Our friendly staff is here to assist you.

TOLL FREE: 800-292-6081
E-mail: info@optibelt-usa.com



L PROFILE NEOPRENE TIMING BELTS

PART NUMBER	AVAILABLE BELTS TYPES	PITCH LENGTH (IN)	NO. OF TEETH	PART NUMBER	AVAILABLE BELTS TYPES	PITCH LENGTH (IN)	NO. OF TEETH	PART NUMBER	AVAILABLE BELTS TYPES	PITCH LENGTH (IN)	NO. OF TEETH	PART NUMBER	AVAILABLE BELTS TYPES	PITCH LENGTH (IN)	NO. OF TEETH
109L150	ZR	10.9	29	236L150	ZR	23.6	63	360L150	ZR	36	96	450L150	ZR	45	120
124L150	ZR	12.4	33	240L150	ZR	24	64	367L150	ZR	36.7	98	454L150	ZR	45.4	121
150L150	ZR	15	40	255L150	ZR	25.5	68	375L150	ZR	37.5	100	480L150	ZR	48	128
165L150	ZR	16.5	44	259L150	ZR	25.9	69	390L150	ZR	39	104	510L150	ZR	51	136
169L150	ZR	16.9	45	263L150	ZR	26.3	70	405L150	ZR	40.5	108	525L150	ZR	52.5	140
173L150	ZR	17.3	46	270L150	ZR	27	72	420L150	ZR	42	112	540L150	ZR	54	144
187L150	ZR	18.7	50	285L150	ZR	28.5	76	424L150	ZR	42.4	113	600L150	ZR	60	160
202L150	ZR	20.2	54	300L150	ZR	30	80	427L150	ZR	42.7	114	630L150	ZR	63	168
210L150	ZR	21	56	322L150	ZR	32.2	86	435L150	ZR	43.5	116	660L150	ZR	66	176
225L150	ZR	22.5	60	345L150	ZR	34.5	92	439L150	ZR	43.9	117	817L150	ZR	81.7	218
232L150	ZR	23.2	62												

PART NUMBER	AVAILABLE BELTS TYPES	PITCH LENGTH (IN)	NO. OF TEETH	PART NUMBER	AVAILABLE BELTS TYPES	PITCH LENGTH (IN)	NO. OF TEETH	PART NUMBER	AVAILABLE BELTS TYPES	PITCH LENGTH (IN)	NO. OF TEETH	PART NUMBER	AVAILABLE BELTS TYPES	PITCH LENGTH (IN)	NO. OF TEETH
109L200	ZR	10.9	29	236L200	ZR	23.6	63	360L200	ZR	36	96	450L200	ZR	45	120
124L200	ZR	12.4	33	240L200	ZR	24	64	367L200	ZR	36.7	98	454L200	ZR	45.4	121
150L200	ZR	15	40	255L200	ZR	25.5	68	375L200	ZR	37.5	100	480L200	ZR	48	128
165L200	ZR	16.5	44	259L200	ZR	25.9	69	390L200	ZR	39	104	510L200	ZR	51	136
169L200	ZR	16.9	45	263L200	ZR	26.3	70	405L200	ZR	40.5	108	525L200	ZR	52.5	140
173L200	ZR	17.3	46	270L200	ZR	27	72	420L200	ZR	42	112	540L200	ZR	54	144
187L200	ZR	18.7	50	285L200	ZR	28.5	76	424L200	ZR	42.4	113	600L200	ZR	60	160
202L200	ZR	20.2	54	300L200	ZR	30	80	427L200	ZR	42.7	114	630L200	ZR	63	168
210L200	ZR	21	56	322L200	ZR	32.2	86	435L200	ZR	43.5	116	660L200	ZR	66	176
225L200	ZR	22.5	60	345L200	ZR	34.5	92	439L200	ZR	43.9	117	817L200	ZR	81.7	218
232L200	ZR	23.2	62												

PART NUMBER	AVAILABLE BELTS TYPES	PITCH LENGTH (IN)	NO. OF TEETH	PART NUMBER	AVAILABLE BELTS TYPES	PITCH LENGTH (IN)	NO. OF TEETH	PART NUMBER	AVAILABLE BELTS TYPES	PITCH LENGTH (IN)	NO. OF TEETH	PART NUMBER	AVAILABLE BELTS TYPES	PITCH LENGTH (IN)	NO. OF TEETH
109L300	ZR	10.9	29	236L300	ZR	23.6	63	360L300	ZR	36	96	450L300	ZR	45	120
124L300	ZR	12.4	33	240L300	ZR	24	64	367L300	ZR	36.7	98	454L300	ZR	45.4	121
150L300	ZR	15	40	255L300	ZR	25.5	68	375L300	ZR	37.5	100	480L300	ZR	48	128
165L300	ZR	16.5	44	259L300	ZR	25.9	69	390L300	ZR	39	104	510L300	ZR	51	136
169L300	ZR	16.9	45	263L300	ZR	26.3	70	405L300	ZR	40.5	108	525L300	ZR	52.5	140
173L300	ZR	17.3	46	270L300	ZR	27	72	420L300	ZR	42	112	540L300	ZR	54	144
187L300	ZR	18.7	50	285L300	ZR	28.5	76	424L300	ZR	42.4	113	600L300	ZR	60	160
202L300	ZR	20.2	54	300L300	ZR	30	80	427L300	ZR	42.7	114	630L300	ZR	63	168
210L300	ZR	21	56	322L300	ZR	32.2	86	435L300	ZR	43.5	116	660L300	ZR	66	176
225L300	ZR	22.5	60	345L300	ZR	34.5	92	439L300	ZR	43.9	117	817L300	ZR	81.7	218
232L300	ZR	23.2	62												

AVAILABLE TIMING BELT CONSTRUCTION TYPES

ZR ZR STANDARD NEOPRENE TIMING BELT CONSTRUCTION

ORDERING EXAMPLES:

240L150 ZR, 24.0 in. Pitch Length, L Section Size, 1.50 in. Belt Width
405L200 ZR, 40.5 in. Pitch Length, L Section Size, 2.0 in. Belt Width
510L300 ZR, 51.0 in. Pitch Length, L Section Size, 3.0 in. Belt Width

TIMING BELTS
NEOPRENE

Need Help?
 Contact Optibelt customer service. Our friendly staff is here to assist you.
 TOLL FREE: 800-292-6081
 E-mail: info@optibelt-usa.com

Cut to Size Widths
 If you need a custom width timing belt, Optibelt has you covered. Each Optibelt facility can cut custom widths. This means you don't have to wait for a manufactured factory order. If it is stock, it can ship!

Contact an Optibelt representative regarding additional sizes, stock availability and pricing.
EXPEDITED SHIPPING: Each Optibelt warehouse facility cuts timing belts to width for faster order service.



H PROFILE NEOPRENE TIMING BELTS

PART NUMBER	AVAILABLE BELTS TYPES	PITCH LENGTH (IN)	NO. OF TEETH	PART NUMBER	AVAILABLE BELTS TYPES	PITCH LENGTH (IN)	NO. OF TEETH	PART NUMBER	AVAILABLE BELTS TYPES	PITCH LENGTH (IN)	NO. OF TEETH	PART NUMBER	AVAILABLE BELTS TYPES	PITCH LENGTH (IN)	NO. OF TEETH
230H075	ZR	23	46	375H075	ZR	37.5	75	570H075	ZR	57	114	810H075	ZR	81	162
240H075	ZR	24	48	390H075	ZR	39	78	580H075	ZR	58	116	820H075	ZR	82	164
255H075	ZR	25.5	51	400H075	ZR	40	80	600H075	ZR	60	120	850H075	ZR	85	170
270H075	ZR	27	54	410H075	ZR	41	82	630H075	ZR	63	126	860H075	ZR	86	172
280H075	ZR	28	56	420H075	ZR	42	84	650H075	ZR	65	130	900H075	ZR	90	180
300H075	ZR	30	60	430H075	ZR	43	86	660H075	ZR	66	132	950H075	ZR	95	190
310H075	ZR	31	62	450H075	ZR	45	90	670H075	ZR	67	134	1000H075	ZR	100	200
315H075	ZR	31.5	63	465H075	ZR	46.5	93	680H075	ZR	68	136	1100H075	ZR	110	220
320H075	ZR	32	64	480H075	ZR	48	96	700H075	ZR	70	140	1120H075	ZR	112	224
330H075	ZR	33	66	490H075	ZR	49	98	720H075	ZR	72	144	1140H075	ZR	114	228
335H075	ZR	33.5	67	510H075	ZR	51	102	730H075	ZR	73	146	1150H075	ZR	115	230
340H075	ZR	34	68	520H075	ZR	52	104	750H075	ZR	75	150	1250H075	ZR	125	250
350H075	ZR	35	70	530H075	ZR	53	106	770H075	ZR	77	154	1400H075	ZR	140	280
360H075	ZR	36	72	540H075	ZR	54	108	800H075	ZR	80	160	1700H075	ZR	170	340
370H075	ZR	37	74	560H075	ZR	56	112								

PART NUMBER	AVAILABLE BELTS TYPES	PITCH LENGTH (IN)	NO. OF TEETH	PART NUMBER	AVAILABLE BELTS TYPES	PITCH LENGTH (IN)	NO. OF TEETH	PART NUMBER	AVAILABLE BELTS TYPES	PITCH LENGTH (IN)	NO. OF TEETH	PART NUMBER	AVAILABLE BELTS TYPES	PITCH LENGTH (IN)	NO. OF TEETH
230H100	ZR	23	46	375H100	ZR	37.5	75	570H100	ZR	57	114	810H100	ZR	81	162
240H100	ZR	24	48	390H100	ZR	39	78	580H100	ZR	58	116	820H100	ZR	82	164
255H100	ZR	25.5	51	400H100	ZR	40	80	600H100	ZR	60	120	850H100	ZR	85	170
270H100	ZR	27	54	410H100	ZR	41	82	630H100	ZR	63	126	860H100	ZR	86	172
280H100	ZR	28	56	420H100	ZR	42	84	650H100	ZR	65	130	900H100	ZR	90	180
300H100	ZR	30	60	430H100	ZR	43	86	660H100	ZR	66	132	950H100	ZR	95	190
310H100	ZR	31	62	450H100	ZR	45	90	670H100	ZR	67	134	1000H100	ZR	100	200
315H100	ZR	31.5	63	465H100	ZR	46.5	93	680H100	ZR	68	136	1100H100	ZR	110	220
320H100	ZR	32	64	480H100	ZR	48	96	700H100	ZR	70	140	1120H100	ZR	112	224
330H100	ZR	33	66	490H100	ZR	49	98	720H100	ZR	72	144	1140H100	ZR	114	228
335H100	ZR	33.5	67	510H100	ZR	51	102	730H100	ZR	73	146	1150H100	ZR	115	230
340H100	ZR	34	68	520H100	ZR	52	104	750H100	ZR	75	150	1250H100	ZR	125	250
350H100	ZR	35	70	530H100	ZR	53	106	770H100	ZR	77	154	1400H100	ZR	140	280
360H100	ZR	36	72	540H100	ZR	54	108	800H100	ZR	80	160	1700H100	ZR	170	340
370H100	ZR	37	74	560H100	ZR	56	112								

AVAILABLE TIMING BELT CONSTRUCTION TYPES

ZR ZR STANDARD NEOPRENE TIMING BELT CONSTRUCTION

ORDERING EXAMPLES:

420H075 ZR, 42.0 in. Pitch Length, H Section Size, 0.75 in. Belt Width

750H100 ZR, 75.0 in. Pitch Length, H Section Size, 1.0 in. Belt Width

Contact an Optibelt representative regarding additional sizes, stock availability and pricing.

EXPEDITED SHIPPING: Each Optibelt warehouse facility cuts timing belts to width for faster order service.

Cut to Size Widths

If you need a custom width timing belt, Optibelt has you covered. Each Optibelt facility can cut custom widths. This means you don't have to wait for a manufactured factory order. If it is stock, it can ship!

Need Help?

Contact Optibelt customer service. Our friendly staff is here to assist you.

TOLL FREE: 800-292-6081
E-mail: info@optibelt-usa.com



H PROFILE NEOPRENE TIMING BELTS

PART NUMBER	AVAILABLE BELTS TYPES	PITCH LENGTH (IN)	NO. OF TEETH	PART NUMBER	AVAILABLE BELTS TYPES	PITCH LENGTH (IN)	NO. OF TEETH	PART NUMBER	AVAILABLE BELTS TYPES	PITCH LENGTH (IN)	NO. OF TEETH	PART NUMBER	AVAILABLE BELTS TYPES	PITCH LENGTH (IN)	NO. OF TEETH
230H150	ZR	23	46	375H150	ZR	37.5	75	570H150	ZR	57	114	810H150	ZR	81	162
240H150	ZR	24	48	390H150	ZR	39	78	580H150	ZR	58	116	820H150	ZR	82	164
255H150	ZR	25.5	51	400H150	ZR	40	80	600H150	ZR	60	120	850H150	ZR	85	170
270H150	ZR	27	54	410H150	ZR	41	82	630H150	ZR	63	126	860H150	ZR	86	172
280H150	ZR	28	56	420H150	ZR	42	84	650H150	ZR	65	130	900H150	ZR	90	180
300H150	ZR	30	60	430H150	ZR	43	86	660H150	ZR	66	132	950H150	ZR	95	190
310H150	ZR	31	62	450H150	ZR	45	90	670H150	ZR	67	134	1000H150	ZR	100	200
315H150	ZR	31.5	63	465H150	ZR	46.5	93	680H150	ZR	68	136	1100H150	ZR	110	220
320H150	ZR	32	64	480H150	ZR	48	96	700H150	ZR	70	140	1120H150	ZR	112	224
330H150	ZR	33	66	490H150	ZR	49	98	720H150	ZR	72	144	1140H150	ZR	114	228
335H150	ZR	33.5	67	510H150	ZR	51	102	730H150	ZR	73	146	1150H150	ZR	115	230
340H150	ZR	34	68	520H150	ZR	52	104	750H150	ZR	75	150	1250H150	ZR	125	250
350H150	ZR	35	70	530H150	ZR	53	106	770H150	ZR	77	154	1400H150	ZR	140	280
360H150	ZR	36	72	540H150	ZR	54	108	800H150	ZR	80	160	1700H150	ZR	170	340
370H150	ZR	37	74	560H150	ZR	56	112								

PART NUMBER	AVAILABLE BELTS TYPES	PITCH LENGTH (IN)	NO. OF TEETH	PART NUMBER	AVAILABLE BELTS TYPES	PITCH LENGTH (IN)	NO. OF TEETH	PART NUMBER	AVAILABLE BELTS TYPES	PITCH LENGTH (IN)	NO. OF TEETH	PART NUMBER	AVAILABLE BELTS TYPES	PITCH LENGTH (IN)	NO. OF TEETH
230H200	ZR	23	46	375H200	ZR	37.5	75	570H200	ZR	57	114	810H200	ZR	81	162
240H200	ZR	24	48	390H200	ZR	39	78	580H200	ZR	58	116	820H200	ZR	82	164
255H200	ZR	25.5	51	400H200	ZR	40	80	600H200	ZR	60	120	850H200	ZR	85	170
270H200	ZR	27	54	410H200	ZR	41	82	630H200	ZR	63	126	860H200	ZR	86	172
280H200	ZR	28	56	420H200	ZR	42	84	650H200	ZR	65	130	900H200	ZR	90	180
300H200	ZR	30	60	430H200	ZR	43	86	660H200	ZR	66	132	950H200	ZR	95	190
310H200	ZR	31	62	450H200	ZR	45	90	670H200	ZR	67	134	1000H200	ZR	100	200
315H200	ZR	31.5	63	465H200	ZR	46.5	93	680H200	ZR	68	136	1100H200	ZR	110	220
320H200	ZR	32	64	480H200	ZR	48	96	700H200	ZR	70	140	1120H200	ZR	112	224
330H200	ZR	33	66	490H200	ZR	49	98	720H200	ZR	72	144	1140H200	ZR	114	228
335H200	ZR	33.5	67	510H200	ZR	51	102	730H200	ZR	73	146	1150H200	ZR	115	230
340H200	ZR	34	68	520H200	ZR	52	104	750H200	ZR	75	150	1250H200	ZR	125	250
350H200	ZR	35	70	530H200	ZR	53	106	770H200	ZR	77	154	1400H200	ZR	140	280
360H200	ZR	36	72	540H200	ZR	54	108	800H200	ZR	80	160	1700H200	ZR	170	340
370H200	ZR	37	74	560H200	ZR	56	112								

AVAILABLE TIMING BELT CONSTRUCTION TYPES

ZR ZR STANDARD NEOPRENE TIMING BELT CONSTRUCTION

ORDERING EXAMPLES:

350L150 ZR, 35.0 in. Pitch Length, H Section Size, 1.50 in. Belt Width

660H200 ZR, 66.0 in. Pitch Length, H Section Size, 2.0 in. Belt Width

TIMING BELTS
NEOPRENE

Need Help?
Contact Optibelt customer service. Our friendly staff is here to assist you.

TOLL FREE: 800-292-6081
E-mail: info@optibelt-usa.com

Cut to Size Widths
If you need a custom width timing belt, Optibelt has you covered. Each Optibelt facility can cut custom widths. This means you don't have to wait for a manufactured factory order. If it is stock, it can ship!

Contact an Optibelt representative regarding additional sizes, stock availability and pricing.

EXPEDITED SHIPPING: Each Optibelt warehouse facility cuts timing belts to width for faster order service.



H PROFILE NEOPRENE TIMING BELTS

PART NUMBER	AVAILABLE BELTS TYPES	PITCH LENGTH (IN)	NO. OF TEETH	PART NUMBER	AVAILABLE BELTS TYPES	PITCH LENGTH (IN)	NO. OF TEETH	PART NUMBER	AVAILABLE BELTS TYPES	PITCH LENGTH (IN)	NO. OF TEETH	PART NUMBER	AVAILABLE BELTS TYPES	PITCH LENGTH (IN)	NO. OF TEETH
230H300	ZR	23	46	375H300	ZR	37.5	75	570H300	ZR	57	114	810H300	ZR	81	162
240H300	ZR	24	48	390H300	ZR	39	78	580H300	ZR	58	116	820H300	ZR	82	164
255H300	ZR	25.5	51	400H300	ZR	40	80	600H300	ZR	60	120	850H300	ZR	85	170
270H300	ZR	27	54	410H300	ZR	41	82	630H300	ZR	63	126	860H300	ZR	86	172
280H300	ZR	28	56	420H300	ZR	42	84	650H300	ZR	65	130	900H300	ZR	90	180
300H300	ZR	30	60	430H300	ZR	43	86	660H300	ZR	66	132	950H300	ZR	95	190
310H300	ZR	31	62	450H300	ZR	45	90	670H300	ZR	67	134	1000H300	ZR	100	200
315H300	ZR	31.5	63	465H300	ZR	46.5	93	680H300	ZR	68	136	1100H300	ZR	110	220
320H300	ZR	32	64	480H300	ZR	48	96	700H300	ZR	70	140	1120H300	ZR	112	224
330H300	ZR	33	66	490H300	ZR	49	98	720H300	ZR	72	144	1140H300	ZR	114	228
335H300	ZR	33.5	67	510H300	ZR	51	102	730H300	ZR	73	146	1150H300	ZR	115	230
340H300	ZR	34	68	520H300	ZR	52	104	750H300	ZR	75	150	1250H300	ZR	125	250
350H300	ZR	35	70	530H300	ZR	53	106	770H300	ZR	77	154	1400H300	ZR	140	280
360H300	ZR	36	72	540H300	ZR	54	108	800H300	ZR	80	160	1700H300	ZR	170	340
370H300	ZR	37	74	560H300	ZR	56	112								

PART NUMBER	AVAILABLE BELTS TYPES	PITCH LENGTH (IN)	NO. OF TEETH	PART NUMBER	AVAILABLE BELTS TYPES	PITCH LENGTH (IN)	NO. OF TEETH	PART NUMBER	AVAILABLE BELTS TYPES	PITCH LENGTH (IN)	NO. OF TEETH	PART NUMBER	AVAILABLE BELTS TYPES	PITCH LENGTH (IN)	NO. OF TEETH
230H400	ZR	23	46	375H400	ZR	37.5	75	570H400	ZR	57	114	810H400	ZR	81	162
240H400	ZR	24	48	390H400	ZR	39	78	580H400	ZR	58	116	820H400	ZR	82	164
255H400	ZR	25.5	51	400H400	ZR	40	80	600H400	ZR	60	120	850H400	ZR	85	170
270H400	ZR	27	54	410H400	ZR	41	82	630H400	ZR	63	126	860H400	ZR	86	172
280H400	ZR	28	56	420H400	ZR	42	84	650H400	ZR	65	130	900H400	ZR	90	180
300H400	ZR	30	60	430H400	ZR	43	86	660H400	ZR	66	132	950H400	ZR	95	190
310H400	ZR	31	62	450H400	ZR	45	90	670H400	ZR	67	134	1000H400	ZR	100	200
315H400	ZR	31.5	63	465H400	ZR	46.5	93	680H400	ZR	68	136	1100H400	ZR	110	220
320H400	ZR	32	64	480H400	ZR	48	96	700H400	ZR	70	140	1120H400	ZR	112	224
330H400	ZR	33	66	490H400	ZR	49	98	720H400	ZR	72	144	1140H400	ZR	114	228
335H400	ZR	33.5	67	510H400	ZR	51	102	730H400	ZR	73	146	1150H400	ZR	115	230
340H400	ZR	34	68	520H400	ZR	52	104	750H400	ZR	75	150	1250H400	ZR	125	250
350H400	ZR	35	70	530H400	ZR	53	106	770H400	ZR	77	154	1400H400	ZR	140	280
360H400	ZR	36	72	540H400	ZR	54	108	800H400	ZR	80	160	1700H400	ZR	170	340
370H400	ZR	37	74	560H400	ZR	56	112								

AVAILABLE TIMING BELT CONSTRUCTION TYPES

ZR ZR STANDARD NEOPRENE TIMING BELT CONSTRUCTION

ORDERING EXAMPLES:

340H300 ZR, 34.0 in. Pitch Length, H Section Size, 3.0 in. Belt Width
680H400 ZR, 68.0 in. Pitch Length, H Section Size, 4.0 in. Belt Width

Contact an Optibelt representative regarding additional sizes, stock availability and pricing.

EXPEDITED SHIPPING: Each Optibelt warehouse facility cuts timing belts to width for faster order service.

Cut to Size Widths

If you need a custom width timing belt, Optibelt has you covered. Each Optibelt facility can cut custom widths. This means you don't have to wait for a manufactured factory order. If it is stock, it can ship!

Need Help?

Contact Optibelt customer service. Our friendly staff is here to assist you.

TOLL FREE: 800-292-6081
 E-mail: info@optibelt-usa.com



H PROFILE NEOPRENE TIMING BELTS

PART NUMBER	AVAILABLE BELTS TYPES	PITCH LENGTH (IN)	NO. OF TEETH	PART NUMBER	AVAILABLE BELTS TYPES	PITCH LENGTH (IN)	NO. OF TEETH	PART NUMBER	AVAILABLE BELTS TYPES	PITCH LENGTH (IN)	NO. OF TEETH	PART NUMBER	AVAILABLE BELTS TYPES	PITCH LENGTH (IN)	NO. OF TEETH
230H500	ZR	23	46	375H500	ZR	37.5	75	570H500	ZR	57	114	810H500	ZR	81	162
240H500	ZR	24	48	390H500	ZR	39	78	580H500	ZR	58	116	820H500	ZR	82	164
255H500	ZR	25.5	51	400H500	ZR	40	80	600H500	ZR	60	120	850H500	ZR	85	170
270H500	ZR	27	54	410H500	ZR	41	82	630H500	ZR	63	126	860H500	ZR	86	172
280H500	ZR	28	56	420H500	ZR	42	84	650H500	ZR	65	130	900H500	ZR	90	180
300H500	ZR	30	60	430H500	ZR	43	86	660H500	ZR	66	132	950H500	ZR	95	190
310H500	ZR	31	62	450H500	ZR	45	90	670H500	ZR	67	134	1000H500	ZR	100	200
315H500	ZR	31.5	63	465H500	ZR	46.5	93	680H500	ZR	68	136	1100H500	ZR	110	220
320H500	ZR	32	64	480H500	ZR	48	96	700H500	ZR	70	140	1120H500	ZR	112	224
330H500	ZR	33	66	490H500	ZR	49	98	720H500	ZR	72	144	1140H500	ZR	114	228
335H500	ZR	33.5	67	510H500	ZR	51	102	730H500	ZR	73	146	1150H500	ZR	115	230
340H500	ZR	34	68	520H500	ZR	52	104	750H500	ZR	75	150	1250H500	ZR	125	250
350H500	ZR	35	70	530H500	ZR	53	106	770H500	ZR	77	154	1400H500	ZR	140	280
360H500	ZR	36	72	540H500	ZR	54	108	800H500	ZR	80	160	1700H500	ZR	170	340
370H500	ZR	37	74	560H500	ZR	56	112								

AVAILABLE TIMING BELT CONSTRUCTION TYPES

ZR ZR STANDARD NEOPRENE TIMING BELT CONSTRUCTION

ORDERING EXAMPLES:

450H500 ZR, 45.0 in. Pitch Length, H Section Size, 5.0 in. Belt Width

1700H500 ZR, 170.0 in. Pitch Length, H Section Size, 5.0 in. Belt Width

Need Help?
Contact Optibelt customer service.
Our friendly staff is here to assist you.

TOLL FREE: 800-292-6081
E-mail: info@optibelt-usa.com

Cut to Size Widths
If you need a custom width timing belt, Optibelt has you covered. Each Optibelt facility can cut custom widths. This means you don't have to wait for a manufactured factory order. If it is stock, it can ship!

Contact an Optibelt representative regarding additional sizes, stock availability and pricing.

EXPEDITED SHIPPING: Each Optibelt warehouse facility cuts timing belts to width for faster order service.



TIMING BELTS, NEOPRENE

XH PROFILES

SUPERIOR CONSTRUCTION

XH PROFILE NEOPRENE TIMING BELTS

PART NUMBER	AVAILABLE BELTS TYPES	PITCH LENGTH (IN)	NO. OF TEETH	PART NUMBER	AVAILABLE BELTS TYPES	PITCH LENGTH (IN)	NO. OF TEETH	PART NUMBER	AVAILABLE BELTS TYPES	PITCH LENGTH (IN)	NO. OF TEETH	PART NUMBER	AVAILABLE BELTS TYPES	PITCH LENGTH (IN)	NO. OF TEETH
507XH200	ZR	50.75	58	700XH200	ZR	70	80	980XH200	ZR	98	112	980XH200	ZR	98	112
560XH200	ZR	56	64	770XH200	ZR	77	88	1120XH200	ZR	112	128	1120XH200	ZR	112	128
630XH200	ZR	63	72	840XH200	ZR	84	96	1260XH200	ZR	126	144	1260XH200	ZR	126	144
507XH300	ZR	50.75	58	700XH300	ZR	70	80	980XH300	ZR	98	112	1400XH300	ZR	140	160
560XH300	ZR	56	64	770XH300	ZR	77	88	1120XH300	ZR	112	128	1540XH300	ZR	154	176
630XH300	ZR	63	72	840XH300	ZR	84	96	1260XH300	ZR	126	144	1750XH300	ZR	175	200
507XH400	ZR	50.75	58	700XH400	ZR	70	80	980XH400	ZR	98	112	1400XH400	ZR	140	160
560XH400	ZR	56	64	770XH400	ZR	77	88	1120XH400	ZR	112	128	1540XH400	ZR	154	176
630XH400	ZR	63	72	840XH400	ZR	84	96	1260XH400	ZR	126	144	1750XH400	ZR	175	200
507XH500	ZR	50.75	58	700XH500	ZR	70	80	980XH500	ZR	98	112	1400XH500	ZR	140	160
560XH500	ZR	56	64	770XH500	ZR	77	88	1120XH500	ZR	112	128	1540XH500	ZR	154	176
630XH500	ZR	63	72	840XH500	ZR	84	96	1260XH500	ZR	126	144	1750XH500	ZR	175	200
507XH600	ZR	50.75	58	700XH600	ZR	70	80	980XH600	ZR	98	112	1400XH600	ZR	140	160
560XH600	ZR	56	64	770XH600	ZR	77	88	1120XH600	ZR	112	128	1540XH600	ZR	154	176
630XH600	ZR	63	72	840XH600	ZR	84	96	1260XH600	ZR	126	144	1750XH600	ZR	175	200
507XH700	ZR	50.75	58	700XH700	ZR	70	80	980XH700	ZR	98	112	1400XH700	ZR	140	160
560XH700	ZR	56	64	770XH700	ZR	77	88	1120XH700	ZR	112	128	1540XH700	ZR	154	176
630XH700	ZR	63	72	840XH700	ZR	84	96	1260XH700	ZR	126	144	1750XH700	ZR	175	200

AVAILABLE TIMING BELT CONSTRUCTION TYPES

ZR

ZR STANDARD NEOPRENE TIMING BELT CONSTRUCTION 1540XH600 ZR, 154.0 in. Pitch Length, XH Section Size, 6.0 in. Belt Width

ORDERING EXAMPLES:

TIMING BELTS
NEOPRENE

Contact an Optibelt representative regarding additional sizes, stock availability and pricing.

EXPEDITED SHIPPING: Each Optibelt warehouse facility cuts timing belts to width for faster order service.

Cut to Size Widths

If you need a custom width timing belt, Optibelt has you covered. Each Optibelt facility can cut custom widths. This means you don't have to wait for a manufactured factory order. If it is stock, it can ship!

Need Help?

Contact Optibelt customer service. Our friendly staff is here to assist you.

TOLL FREE: 800-292-6081
E-mail: info@optibelt-usa.com



XXH PROFILE NEOPRENE TIMING BELTS

PART NUMBER	AVAILABLE BELTS TYPES	PITCH LENGTH (IN)	NO. OF TEETH	PART NUMBER	AVAILABLE BELTS TYPES	PITCH LENGTH (IN)	NO. OF TEETH	PART NUMBER	AVAILABLE BELTS TYPES	PITCH LENGTH (IN)	NO. OF TEETH	PART NUMBER	AVAILABLE BELTS TYPES	PITCH LENGTH (IN)	NO. OF TEETH
700XXH200	ZR	70	56	900XXH200	ZR	90	72	1200XXH200	ZR	120	96	1600XXH200	ZR	160	128
800XXH200	ZR	80	64	1000XXH200	ZR	100	80	1400XXH200	ZR	140	112	1800XXH200	ZR	180	144
700XXH300	ZR	70	56	900XXH300	ZR	90	72	1200XXH300	ZR	120	96	1600XXH300	ZR	160	128
800XXH300	ZR	80	64	1000XXH300	ZR	100	80	1400XXH300	ZR	140	112	1800XXH300	ZR	180	144
700XXH400	ZR	70	56	900XXH400	ZR	90	72	1200XXH400	ZR	120	96	1600XXH400	ZR	160	128
800XXH400	ZR	80	64	1000XXH400	ZR	100	80	1400XXH400	ZR	140	112	1800XXH400	ZR	180	144
700XXH500	ZR	70	56	900XXH500	ZR	90	72	1200XXH500	ZR	120	96	1600XXH500	ZR	160	128
800XXH500	ZR	80	64	1000XXH500	ZR	100	80	1400XXH500	ZR	140	112	1800XXH500	ZR	180	144

AVAILABLE TIMING BELT CONSTRUCTION TYPES

ORDERING EXAMPLES:

ZR ZR STANDARD NEOPRENE TIMING BELT CONSTRUCTION **1200XXH400** ZR, 120.0 in. Pitch Length, XXH Section Size, 4.0 in. Belt Width

TIMING BELTS
NEOPRENE

Need Help?
Contact Optibelt customer service.
Our friendly staff is here to assist you.

TOLL FREE: 800-292-6081
E-mail: info@optibelt-usa.com

Cut to Size Widths
If you need a custom width timing belt, Optibelt has you covered. Each Optibelt facility can cut custom widths. This means you don't have to wait for a manufactured factory order. If it is stock, it can ship!

Contact an Optibelt representative regarding additional sizes, stock availability and pricing.

EXPEDITED SHIPPING: Each Optibelt warehouse facility cuts timing belts to width for faster order service.



TIMING BELTS, NEOPRENE

DXL & DL PROFILES (DOUBLE-SIDED)

SUPERIOR CONSTRUCTION

DXL PROFILE NEOPRENE TIMING BELTS

PART NUMBER	AVAILABLE BELTS TYPES	PITCH LENGTH (IN)	NO. OF TEETH	PART NUMBER	AVAILABLE BELTS TYPES	PITCH LENGTH (IN)	NO. OF TEETH	PART NUMBER	AVAILABLE BELTS TYPES	PITCH LENGTH (IN)	NO. OF TEETH	PART NUMBER	AVAILABLE BELTS TYPES	PITCH LENGTH (IN)	NO. OF TEETH
150DXL025	ZR	15	75	190DXL025	ZR	19	95	230DXL025	ZR	23	115	280DXL025	ZR	28	140
160DXL025	ZR	16	80	200DXL025	ZR	20	100	240DXL025	ZR	24	120	300DXL025	ZR	30	150
170DXL025	ZR	17	85	210DXL025	ZR	21	105	250DXL025	ZR	25	125	310DXL025	ZR	31	155
180DXL025	ZR	18	90	220DXL025	ZR	22	110	260DXL025	ZR	26	130				
150DXL031	ZR	15	75	190DXL031	ZR	19	95	230DXL031	ZR	23	115	280DXL031	ZR	28	140
160DXL031	ZR	16	80	200DXL031	ZR	20	100	240DXL031	ZR	24	120	300DXL031	ZR	30	150
170DXL031	ZR	17	85	210DXL031	ZR	21	105	250DXL031	ZR	25	125	310DXL031	ZR	31	155
180DXL031	ZR	18	90	220DXL031	ZR	22	110	260DXL031	ZR	26	130				
150DXL037	ZR	15	75	190DXL037	ZR	19	95	230DXL037	ZR	23	115	280DXL037	ZR	28	140
160DXL037	ZR	16	80	200DXL037	ZR	20	100	240DXL037	ZR	24	120	300DXL037	ZR	30	150
170DXL037	ZR	17	85	210DXL037	ZR	21	105	250DXL037	ZR	25	125	310DXL037	ZR	31	155
180DXL037	ZR	18	90	220DXL037	ZR	22	110	260DXL037	ZR	26	130				

DL PROFILE NEOPRENE TIMING BELTS

PART NUMBER	AVAILABLE BELTS TYPES	PITCH LENGTH (IN)	NO. OF TEETH	PART NUMBER	AVAILABLE BELTS TYPES	PITCH LENGTH (IN)	NO. OF TEETH	PART NUMBER	AVAILABLE BELTS TYPES	PITCH LENGTH (IN)	NO. OF TEETH	PART NUMBER	AVAILABLE BELTS TYPES	PITCH LENGTH (IN)	NO. OF TEETH
150DL050	ZR	15	40	255DL050	ZR	25.5	68	345DL050	ZR	34.5	92	480DL050	ZR	48	128
169DL050	ZR	16.9	45	270DL050	ZR	27	72	367DL050	ZR	36.7	98	510DL050	ZR	51	136
187DL050	ZR	18.7	50	285DL050	ZR	28.5	76	390DL050	ZR	39	104	540DL050	ZR	54	144
210DL050	ZR	21	56	300DL050	ZR	30	80	420DL050	ZR	42	112	600DL050	ZR	60	160
225DL050	ZR	22.5	60	322DL050	ZR	32.2	86	450DL050	ZR	45	120	660DL050	ZR	66	176
240DL050	ZR	24	64												
150DL075	ZR	15	40	255DL075	ZR	25.5	68	345DL075	ZR	34.5	92	480DL075	ZR	48	128
169DL075	ZR	16.9	45	270DL075	ZR	27	72	367DL075	ZR	36.7	98	510DL075	ZR	51	136
187DL075	ZR	18.7	50	285DL075	ZR	28.5	76	390DL075	ZR	39	104	540DL075	ZR	54	144
210DL075	ZR	21	56	300DL075	ZR	30	80	420DL075	ZR	42	112	600DL075	ZR	60	160
225DL075	ZR	22.5	60	322DL075	ZR	32.2	86	450DL075	ZR	45	120	660DL075	ZR	66	176
240DL075	ZR	24	64												
150DL100	ZR	15	40	255DL100	ZR	25.5	68	345DL100	ZR	34.5	92	480DL100	ZR	48	128
169DL100	ZR	16.9	45	270DL100	ZR	27	72	367DL100	ZR	36.7	98	510DL100	ZR	51	136
187DL100	ZR	18.7	50	285DL100	ZR	28.5	76	390DL100	ZR	39	104	540DL100	ZR	54	144
210DL100	ZR	21	56	300DL100	ZR	30	80	420DL100	ZR	42	112	600DL100	ZR	60	160
225DL100	ZR	22.5	60	322DL100	ZR	32.2	86	450DL100	ZR	45	120	660DL100	ZR	66	176
240DL100	ZR	24	64												

AVAILABLE TIMING BELT CONSTRUCTION TYPES

ZR ZR STANDARD NEOPRENE TIMING BELT CONSTRUCTION

ORDERING EXAMPLES:

260DXL031 ZR, 26.0 in. Pitch Length, DXL Section Size, 0.31 in. Belt Width

322DL075 ZR, 32.2 in. Pitch Length, DL Section Size, 0.75 in. Belt Width

TIMING BELTS
NEOPRENE

Contact an Optibelt representative regarding additional sizes, stock availability and pricing.

EXPEDITED SHIPPING: Each Optibelt warehouse facility cuts timing belts to width for faster order service.

Cut to Size Widths

If you need a custom width timing belt, Optibelt has you covered. Each Optibelt facility can cut custom widths. This means you don't have to wait for a manufactured factory order. If it is stock, it can ship!

Need Help?

Contact Optibelt customer service. Our friendly staff is here to assist you.

TOLL FREE: 800-292-6081
E-mail: info@optibelt-usa.com



DH PROFILE NEOPRENE TIMING BELTS

PART NUMBER	AVAILABLE BELTS TYPES	PITCH LENGTH (IN)	NO. OF TEETH	PART NUMBER	AVAILABLE BELTS TYPES	PITCH LENGTH (IN)	NO. OF TEETH	PART NUMBER	AVAILABLE BELTS TYPES	PITCH LENGTH (IN)	NO. OF TEETH	PART NUMBER	AVAILABLE BELTS TYPES	PITCH LENGTH (IN)	NO. OF TEETH
240DH075	ZR	24	48	450DH075	ZR	45	90	630DH075	ZR	63	126	900DH075	ZR	90	180
270DH075	ZR	27	54	480DH075	ZR	48	96	660DH075	ZR	66	132	1000DH075	ZR	100	200
300DH075	ZR	30	60	510DH075	ZR	51	102	700DH075	ZR	70	140	1100DH075	ZR	110	220
330DH075	ZR	33	66	540DH075	ZR	54	108	750DH075	ZR	75	150	1250DH075	ZR	125	250
360DH075	ZR	36	72	570DH075	ZR	57	114	800DH075	ZR	80	160	1400DH075	ZR	140	280
390DH075	ZR	39	78	600DH075	ZR	60	120	850DH075	ZR	85	170	1700DH075	ZR	170	340
420DH075	ZR	42	84												

PART NUMBER	AVAILABLE BELTS TYPES	PITCH LENGTH (IN)	NO. OF TEETH	PART NUMBER	AVAILABLE BELTS TYPES	PITCH LENGTH (IN)	NO. OF TEETH	PART NUMBER	AVAILABLE BELTS TYPES	PITCH LENGTH (IN)	NO. OF TEETH	PART NUMBER	AVAILABLE BELTS TYPES	PITCH LENGTH (IN)	NO. OF TEETH
240DH100	ZR	24	48	450DH100	ZR	45	90	630DH100	ZR	63	126	900DH100	ZR	90	180
270DH100	ZR	27	54	480DH100	ZR	48	96	660DH100	ZR	66	132	1000DH100	ZR	100	200
300DH100	ZR	30	60	510DH100	ZR	51	102	700DH100	ZR	70	140	1100DH100	ZR	110	220
330DH100	ZR	33	66	540DH100	ZR	54	108	750DH100	ZR	75	150	1250DH100	ZR	125	250
360DH100	ZR	36	72	570DH100	ZR	57	114	800DH100	ZR	80	160	1400DH100	ZR	140	280
390DH100	ZR	39	78	600DH100	ZR	60	120	850DH100	ZR	85	170	1700DH100	ZR	170	340
420DH100	ZR	42	84												

PART NUMBER	AVAILABLE BELTS TYPES	PITCH LENGTH (IN)	NO. OF TEETH	PART NUMBER	AVAILABLE BELTS TYPES	PITCH LENGTH (IN)	NO. OF TEETH	PART NUMBER	AVAILABLE BELTS TYPES	PITCH LENGTH (IN)	NO. OF TEETH	PART NUMBER	AVAILABLE BELTS TYPES	PITCH LENGTH (IN)	NO. OF TEETH
240DH150	ZR	24	48	450DH150	ZR	45	90	630DH150	ZR	63	126	900DH150	ZR	90	180
270DH150	ZR	27	54	480DH150	ZR	48	96	660DH150	ZR	66	132	1000DH150	ZR	100	200
300DH150	ZR	30	60	510DH150	ZR	51	102	700DH150	ZR	70	140	1100DH150	ZR	110	220
330DH150	ZR	33	66	540DH150	ZR	54	108	750DH150	ZR	75	150	1250DH150	ZR	125	250
360DH150	ZR	36	72	570DH150	ZR	57	114	800DH150	ZR	80	160	1400DH150	ZR	140	280
390DH150	ZR	39	78	600DH150	ZR	60	120	850DH150	ZR	85	170	1700DH150	ZR	170	340
420DH150	ZR	42	84												

PART NUMBER	AVAILABLE BELTS TYPES	PITCH LENGTH (IN)	NO. OF TEETH	PART NUMBER	AVAILABLE BELTS TYPES	PITCH LENGTH (IN)	NO. OF TEETH	PART NUMBER	AVAILABLE BELTS TYPES	PITCH LENGTH (IN)	NO. OF TEETH	PART NUMBER	AVAILABLE BELTS TYPES	PITCH LENGTH (IN)	NO. OF TEETH
240DH200	ZR	24	48	450DH200	ZR	45	90	630DH200	ZR	63	126	900DH200	ZR	90	180
270DH200	ZR	27	54	480DH200	ZR	48	96	660DH200	ZR	66	132	1000DH200	ZR	100	200
300DH200	ZR	30	60	510DH200	ZR	51	102	700DH200	ZR	70	140	1100DH200	ZR	110	220
330DH200	ZR	33	66	540DH200	ZR	54	108	750DH200	ZR	75	150	1250DH200	ZR	125	250
360DH200	ZR	36	72	570DH200	ZR	57	114	800DH200	ZR	80	160	1400DH200	ZR	140	280
390DH200	ZR	39	78	600DH200	ZR	60	120	850DH200	ZR	85	170	1700DH200	ZR	170	340
420DH200	ZR	42	84												

PART NUMBER	AVAILABLE BELTS TYPES	PITCH LENGTH (IN)	NO. OF TEETH	PART NUMBER	AVAILABLE BELTS TYPES	PITCH LENGTH (IN)	NO. OF TEETH	PART NUMBER	AVAILABLE BELTS TYPES	PITCH LENGTH (IN)	NO. OF TEETH	PART NUMBER	AVAILABLE BELTS TYPES	PITCH LENGTH (IN)	NO. OF TEETH
240DH075	ZR	24	48	450DH075	ZR	45	90	630DH075	ZR	63	126	900DH075	ZR	90	180
270DH075	ZR	27	54	480DH075	ZR	48	96	660DH075	ZR	66	132	1000DH075	ZR	100	200
300DH075	ZR	30	60	510DH075	ZR	51	102	700DH075	ZR	70	140	1100DH075	ZR	110	220
330DH075	ZR	33	66	540DH075	ZR	54	108	750DH075	ZR	75	150	1250DH075	ZR	125	250
360DH075	ZR	36	72	570DH075	ZR	57	114	800DH075	ZR	80	160	1400DH075	ZR	140	280
390DH075	ZR	39	78	600DH075	ZR	60	120	850DH075	ZR	85	170	1700DH075	ZR	170	340
420DH075	ZR	42	84												

TIMING BELTS
NEOPRENE

Need Help?
Contact Optibelt customer service. Our friendly staff is here to assist you.

TOLL FREE: 800-292-6081
E-mail: info@optibelt-usa.com

Cut to Size Widths
If you need a custom width timing belt, Optibelt has you covered. Each Optibelt facility can cut custom widths. This means you don't have to wait for a manufactured factory order. If it is stock, it can ship!

Contact an Optibelt representative regarding additional sizes, stock availability and pricing.

EXPEDITED SHIPPING: Each Optibelt warehouse facility cuts timing belts to width for faster order service.



TIMING BELTS

POLYURETHANE TIMING BELT PRODUCT INFORMATION

TIMING BELT PRODUCTS

Optibelt ALPHA POWER

High-performance molded polyurethane belts with steel cords.
Aramid cords available.

- **High Performance:** Specialized polyurethane material engineered to provide a 30% increase in performance from ALPHA TORQUE belts.
- **Versatility:** Capable of handling a wide variety of applications.
- **Temperature Range:** Increased operation range -22 to 176°F.

SECTIONS: T2.5, T5, T10 AT5, AT10 DT5, DT10

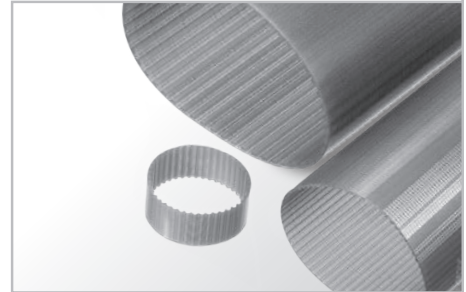


Optibelt ALPHA TORQUE

Molded polyurethane belts with steel cords.
Aramid cords available.

- **Performance:** Polyurethane material engineered to provide superior performance from standard polyurethane belts.
- **Versatility:** Capable of handling a wide variety of applications.
- **Temperature Range:** Increased operation range -22 to 176°F.

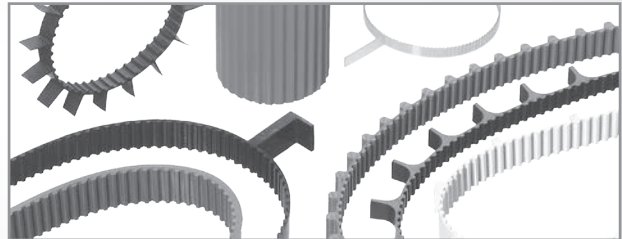
SECTIONS: XL, L T2.5, T5, T10 AT5, AT10 DT5, DT10



ALPHA SRP CONVEYOR DRIVES

Custom conveyor drives for specialized manufacturing is a need for more and more businesses. Optibelt can manufacture a full range of custom products to customers designed specifications.

Minimum order quantities apply. For more details contact an Optibelt representative.



Optibelt ALPHA FLEX

Extruded endless polyurethane belts with steel cords.
Aramid cords available.

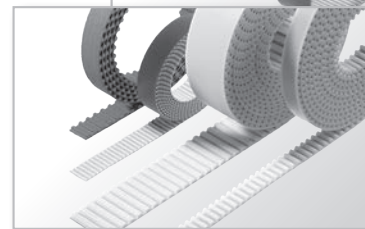
SECTIONS: XL, L, H, XH 8M, 14M T5, T10, T20 AT5, AT10, AT20 D8M, D14M



Optibelt ALPHA LINEAR

Extruded linear belts with steel cords.
Aramid cords available.

SECTIONS: XL, L, H, XH 5M, 8M, 14M T5, T10, T20 AT5, AT10, AT20



ALPHA FLEX / LINEAR CUSTOM OPTIONS

Optibelt's manufacturing expertise allows custom options such as:

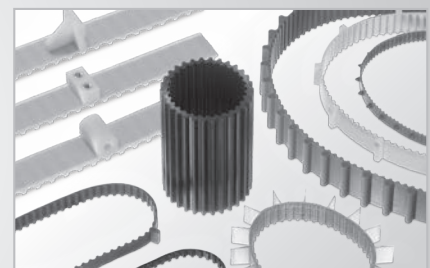
CORDS

- High Flexibility Steel
- Stainless Steel
- Aramid

BACKING & FINISHES

- Fabrics
- Cleats
- Coatings
- Milled Teeth & Grooves

Contact an Optibelt distributor or representative for further information.





T2.5 PROFILE POLYURETHANE TIMING BELTS

TIMING BELTS
POLYURETHANE

PART NUMBER	AVAILABLE BELTS TYPES		PITCH LENGTH (MM)	NO. OF TEETH
4T2.5/120	AT	AP	120	48
4T2.5/145	AT	AP	145	58
4T2.5/160	AT	AP	160	64
4T2.5/177	AT	AP	177	71
4T2.5/180	AT	AP	180	72
4T2.5/200	AT	AP	200	80
4T2.5/210	AT	AP	210	84

PART NUMBER	AVAILABLE BELTS TYPES		PITCH LENGTH (MM)	NO. OF TEETH
4T2.5/230	AT	AP	230	92
4T2.5/245	AT	AP	245	98
4T2.5/265	AT	AP	265	106
4T2.5/277	AT	AP	277	111
4T2.5/285	AT	AP	285	114
4T2.5/290	AT	AP	290	116
4T2.5/305	AT	AP	305	122

PART NUMBER	AVAILABLE BELTS TYPES		PITCH LENGTH (MM)	NO. OF TEETH
4T2.5/317	AT	AP	317	127
4T2.5/330	AT	AP	330	132
4T2.5/342	AT	AP	342	137
4T2.5/380	AT	AP	380	152
4T2.5/420	AT	AP	420	168
4T2.5/480	AT	AP	480	192
4T2.5/500	AT	AP	500	200

PART NUMBER	AVAILABLE BELTS TYPES		PITCH LENGTH (MM)	NO. OF TEETH
4T2.5/540	AT	AP	540	216
4T2.5/600	AT	AP	600	240
4T2.5/620	AT	AP	620	248
4T2.5/650	AT	AP	650	260
4T2.5/780	AT	AP	780	312
4T2.5/915	AT	AP	915	366
4T2.5/950	AT	AP	950	380

PART NUMBER	AVAILABLE BELTS TYPES		PITCH LENGTH (MM)	NO. OF TEETH
6T2.5/120	AT	AP	120	48
6T2.5/145	AT	AP	145	58
6T2.5/160	AT	AP	160	64
6T2.5/177	AT	AP	177	71
6T2.5/180	AT	AP	180	72
6T2.5/200	AT	AP	200	80
6T2.5/210	AT	AP	210	84

PART NUMBER	AVAILABLE BELTS TYPES		PITCH LENGTH (MM)	NO. OF TEETH
6T2.5/230	AT	AP	230	92
6T2.5/245	AT	AP	245	98
6T2.5/265	AT	AP	265	106
6T2.5/277	AT	AP	277	111
6T2.5/285	AT	AP	285	114
6T2.5/290	AT	AP	290	116
6T2.5/305	AT	AP	305	122

PART NUMBER	AVAILABLE BELTS TYPES		PITCH LENGTH (MM)	NO. OF TEETH
6T2.5/317	AT	AP	317	127
6T2.5/330	AT	AP	330	132
6T2.5/342	AT	AP	342	137
6T2.5/380	AT	AP	380	152
6T2.5/420	AT	AP	420	168
6T2.5/480	AT	AP	480	192
6T2.5/500	AT	AP	500	200

PART NUMBER	AVAILABLE BELTS TYPES		PITCH LENGTH (MM)	NO. OF TEETH
6T2.5/540	AT	AP	540	216
6T2.5/600	AT	AP	600	240
6T2.5/620	AT	AP	620	248
6T2.5/650	AT	AP	650	260
6T2.5/780	AT	AP	780	312
6T2.5/915	AT	AP	915	366
6T2.5/950	AT	AP	950	380

PART NUMBER	AVAILABLE BELTS TYPES		PITCH LENGTH (MM)	NO. OF TEETH
8T2.5/120	AT	AP	120	48
8T2.5/145	AT	AP	145	58
8T2.5/160	AT	AP	160	64
8T2.5/177	AT	AP	177	71
8T2.5/180	AT	AP	180	72
8T2.5/200	AT	AP	200	80
8T2.5/210	AT	AP	210	84

PART NUMBER	AVAILABLE BELTS TYPES		PITCH LENGTH (MM)	NO. OF TEETH
8T2.5/230	AT	AP	230	92
8T2.5/245	AT	AP	245	98
8T2.5/265	AT	AP	265	106
8T2.5/277	AT	AP	277	111
8T2.5/285	AT	AP	285	114
8T2.5/290	AT	AP	290	116
8T2.5/305	AT	AP	305	122

PART NUMBER	AVAILABLE BELTS TYPES		PITCH LENGTH (MM)	NO. OF TEETH
8T2.5/317	AT	AP	317	127
8T2.5/330	AT	AP	330	132
8T2.5/342	AT	AP	342	137
8T2.5/380	AT	AP	380	152
8T2.5/420	AT	AP	420	168
8T2.5/480	AT	AP	480	192
8T2.5/500	AT	AP	500	200

PART NUMBER	AVAILABLE BELTS TYPES		PITCH LENGTH (MM)	NO. OF TEETH
8T2.5/540	AT	AP	540	216
8T2.5/600	AT	AP	600	240
8T2.5/620	AT	AP	620	248
8T2.5/650	AT	AP	650	260
8T2.5/780	AT	AP	780	312
8T2.5/915	AT	AP	915	366
8T2.5/950	AT	AP	950	380

AVAILABLE TIMING BELT CONSTRUCTION TYPES

- AT** ALPHA TORQUE, MOLDED POLYURETHANE BELTS WITH STEEL CORDS
- AP** ALPHA POWER, HIGH PERFORMANCE MOLDED POLYURETHANE BELTS WITH STEEL CORDS

ORDERING EXAMPLES:

- 6T2.5/277** AT, 6mm Belt Width, T2.5 Section Size, 277mm Pitch Length
- 8T2.5/650AP** AP, 8mm Belt Width, T2.5 Section Size, 650mm Pitch Length

Contact an Optibelt representative regarding additional sizes, stock availability and pricing.

EXPEDITED SHIPPING: Each Optibelt warehouse facility cuts timing belts to width for faster order service.

Cut to Size Widths
If you need a custom width timing belt, Optibelt has you covered. Each Optibelt facility can cut custom widths. This means you don't have to wait for a manufactured factory order. If it is stock, it can ship!

Product Availability
Sizes listed may not be readily available. Please contact an Optibelt representative to confirm availability and/or minimum order quantities.

TOLL FREE: 800-292-6081
E-mail: info@optibelt-usa.com



TIMING BELTS, POLYURETHANE

T5 PROFILES

STEEL TENSION CORD

TIMING BELTS
POLYURETHANE

T2.5 PROFILE POLYURETHANE TIMING BELTS

PART NUMBER	AVAILABLE BELTS TYPES		PITCH LENGTH (MM)	NO. OF TEETH	PART NUMBER	AVAILABLE BELTS TYPES		PITCH LENGTH (MM)	NO. OF TEETH	PART NUMBER	AVAILABLE BELTS TYPES		PITCH LENGTH (MM)	NO. OF TEETH	PART NUMBER	AVAILABLE BELTS TYPES		PITCH LENGTH (MM)	NO. OF TEETH
10T2.5/120	AT	AP	120	48	10T2.5/230	AT	AP	230	92	10T2.5/317	AT	AP	317	127	10T2.5/540	AT	AP	540	216
10T2.5/145	AT	AP	145	58	10T2.5/245	AT	AP	245	98	10T2.5/330	AT	AP	330	132	10T2.5/600	AT	AP	600	240
10T2.5/160	AT	AP	160	64	10T2.5/265	AT	AP	265	106	10T2.5/342	AT	AP	342	137	10T2.5/620	AT	AP	620	248
10T2.5/177	AT	AP	177	71	10T2.5/277	AT	AP	277	111	10T2.5/380	AT	AP	380	152	10T2.5/650	AT	AP	650	260
10T2.5/180	AT	AP	180	72	10T2.5/285	AT	AP	285	114	10T2.5/420	AT	AP	420	168	10T2.5/780	AT	AP	780	312
10T2.5/200	AT	AP	200	80	10T2.5/290	AT	AP	290	116	10T2.5/480	AT	AP	480	192	10T2.5/915	AT	AP	915	366
10T2.5/210	AT	AP	210	84	10T2.5/305	AT	AP	305	122	10T2.5/500	AT	AP	500	200	10T2.5/950	AT	AP	950	380
12T2.5/120	AT	AP	120	48	12T2.5/230	AT	AP	230	92	12T2.5/317	AT	AP	317	127	12T2.5/540	AT	AP	540	216
12T2.5/145	AT	AP	145	58	12T2.5/245	AT	AP	245	98	12T2.5/330	AT	AP	330	132	12T2.5/600	AT	AP	600	240
12T2.5/160	AT	AP	160	64	12T2.5/265	AT	AP	265	106	12T2.5/342	AT	AP	342	137	12T2.5/620	AT	AP	620	248
12T2.5/177	AT	AP	177	71	12T2.5/277	AT	AP	277	111	12T2.5/380	AT	AP	380	152	12T2.5/650	AT	AP	650	260
12T2.5/180	AT	AP	180	72	12T2.5/285	AT	AP	285	114	12T2.5/420	AT	AP	420	168	12T2.5/780	AT	AP	780	312
12T2.5/200	AT	AP	200	80	12T2.5/290	AT	AP	290	116	12T2.5/480	AT	AP	480	192	12T2.5/915	AT	AP	915	366
12T2.5/210	AT	AP	210	84	12T2.5/305	AT	AP	305	122	12T2.5/500	AT	AP	500	200	12T2.5/950	AT	AP	950	380

AVAILABLE TIMING BELT CONSTRUCTION TYPES

- AT** ALPHA TORQUE, MOLDED POLYURETHANE BELTS WITH STEEL CORDS
- AP** ALPHA POWER, HIGH PERFORMANCE MOLDED POLYURETHANE BELTS WITH STEEL CORDS

ORDERING EXAMPLES:

- 10T2.5/200** AT, 10mm Belt Width, T2.5 Section Size, 200mm Pitch Length
- 12T2.5/480AP** AP, 10mm Belt Width, T2.5 Section Size, 480mm Pitch Length

Product Availability

Sizes listed may not be readily available. Please contact an Optibelt representative to confirm availability and/or minimum order quantities.

TOLL FREE: 800-292-6081
E-mail: info@optibelt-usa.com

Cut to Size Widths

If you need a custom width timing belt, Optibelt has you covered. Each Optibelt facility can cut custom widths. This means you don't have to wait for a manufactured factory order. If it is stock, it can ship!

Contact an Optibelt representative regarding additional sizes, stock availability and pricing.

EXPEDITED SHIPPING: Each Optibelt warehouse facility cuts timing belts to width for faster order service.



T5 PROFILE POLYURETHANE TIMING BELTS

TIMING BELTS
POLYURETHANE

PART NUMBER	AVAILABLE BELTS TYPES		PITCH LENGTH (MM)	NO. OF TEETH
6T5/165	AT	AP	165	33
6T5/185	AT	AP	185	37
6T5/200	AT	AP	200	40
6T5/215	AT	AP	215	43
6T5/220	AT	AP	220	44
6T5/225	AT	AP	225	45
6T5/245	AT	AP	245	49
6T5/250	AT	AP	250	50
6T5/255	AT	AP	255	51
6T5/260	AT	AP	260	52
6T5/270	AT	AP	270	54
6T5/275	AT	AP	275	55
6T5/280	AT	AP	280	56
6T5/295	AT	AP	295	59
6T5/300	AT	AP	300	60
6T5/305	AT	AP	305	61
6T5/320	AT	AP	320	64
6T5/325	AT	AP	325	65
6T5/330	AT	AP	330	66

PART NUMBER	AVAILABLE BELTS TYPES		PITCH LENGTH (MM)	NO. OF TEETH
6T5/340	AT	AP	340	68
6T5/350	AT	AP	350	70
6T5/355	AT	AP	355	71
6T5/365	AT	AP	365	73
6T5/375	AT	AP	375	75
6T5/390	AT	AP	390	78
6T5/400	AT	AP	400	80
6T5/410	AT	AP	410	82
6T5/420	AT	AP	420	84
6T5/425	AT	AP	425	85
6T5/430	AT	AP	430	86
6T5/440	AT	AP	440	88
6T5/445	AT	AP	445	89
6T5/450	AT	AP	450	90
6T5/455	AT	AP	455	91
6T5/460	AT	AP	460	92
6T5/475	AT	AP	475	95
6T5/480	AT	AP	480	96
6T5/500	AT	AP	500	100

PART NUMBER	AVAILABLE BELTS TYPES		PITCH LENGTH (MM)	NO. OF TEETH
6T5/510	AT	AP	510	102
6T5/525	AT	AP	525	105
6T5/545	AT	AP	545	109
6T5/550	AT	AP	550	110
6T5/560	AT	AP	560	112
6T5/575	AT	AP	575	115
6T5/590	AT	AP	590	118
6T5/600	AT	AP	600	120
6T5/610	AT	AP	610	122
6T5/620	AT	AP	620	124
6T5/625	AT	AP	625	125
6T5/630	AT	AP	630	126
6T5/640	AT	AP	640	128
6T5/650	AT	AP	650	130
6T5/660	AT	AP	660	132
6T5/675	AT	AP	675	135
6T5/690	AT	AP	690	138
6T5/700	AT	AP	700	140
6T5/720	AT	AP	720	144

PART NUMBER	AVAILABLE BELTS TYPES		PITCH LENGTH (MM)	NO. OF TEETH
6T5/725	AT	AP	725	145
6T5/750	AT	AP	750	150
6T5/780	AT	AP	780	156
6T5/800	AT	AP	800	160
6T5/815	AT	AP	815	163
6T5/840	AT	AP	840	168
6T5/850	AT	AP	850	170
6T5/900	AT	AP	900	180
6T5/940	AT	AP	940	188
6T5/990	AT	AP	990	198
6T5/1000	AT	AP	1000	200
6T5/1075	AT	AP	1075	215
6T5/1100	AT	AP	1100	220
6T5/1140	AT	AP	1140	228
6T5/1215	AT	AP	1215	243
6T5/1315	AT	AP	1315	263
6T5/1350	AT	AP	1350	270
6T5/1440	AT	AP	1440	288

PART NUMBER	AVAILABLE BELTS TYPES		PITCH LENGTH (MM)	NO. OF TEETH
8T5/165	AT	AP	165	33
8T5/185	AT	AP	185	37
8T5/200	AT	AP	200	40
8T5/215	AT	AP	215	43
8T5/220	AT	AP	220	44
8T5/225	AT	AP	225	45
8T5/245	AT	AP	245	49
8T5/250	AT	AP	250	50
8T5/255	AT	AP	255	51
8T5/260	AT	AP	260	52
8T5/270	AT	AP	270	54
8T5/275	AT	AP	275	55
8T5/280	AT	AP	280	56
8T5/295	AT	AP	295	59
8T5/300	AT	AP	300	60
8T5/305	AT	AP	305	61
8T5/320	AT	AP	320	64
8T5/325	AT	AP	325	65
8T5/330	AT	AP	330	66

PART NUMBER	AVAILABLE BELTS TYPES		PITCH LENGTH (MM)	NO. OF TEETH
8T5/340	AT	AP	340	68
8T5/350	AT	AP	350	70
8T5/355	AT	AP	355	71
8T5/365	AT	AP	365	73
8T5/375	AT	AP	375	75
8T5/390	AT	AP	390	78
8T5/400	AT	AP	400	80
8T5/410	AT	AP	410	82
8T5/420	AT	AP	420	84
8T5/425	AT	AP	425	85
8T5/430	AT	AP	430	86
8T5/440	AT	AP	440	88
8T5/445	AT	AP	445	89
8T5/450	AT	AP	450	90
8T5/455	AT	AP	455	91
8T5/460	AT	AP	460	92
8T5/475	AT	AP	475	95
8T5/480	AT	AP	480	96
8T5/500	AT	AP	500	100

PART NUMBER	AVAILABLE BELTS TYPES		PITCH LENGTH (MM)	NO. OF TEETH
8T5/510	AT	AP	510	102
8T5/525	AT	AP	525	105
8T5/545	AT	AP	545	109
8T5/550	AT	AP	550	110
8T5/560	AT	AP	560	112
8T5/575	AT	AP	575	115
8T5/590	AT	AP	590	118
8T5/600	AT	AP	600	120
8T5/610	AT	AP	610	122
8T5/620	AT	AP	620	124
8T5/625	AT	AP	625	125
8T5/630	AT	AP	630	126
8T5/640	AT	AP	640	128
8T5/650	AT	AP	650	130
8T5/660	AT	AP	660	132
8T5/675	AT	AP	675	135
8T5/690	AT	AP	690	138
8T5/700	AT	AP	700	140
8T5/720	AT	AP	720	144

PART NUMBER	AVAILABLE BELTS TYPES		PITCH LENGTH (MM)	NO. OF TEETH
8T5/725	AT	AP	725	145
8T5/750	AT	AP	750	150
8T5/780	AT	AP	780	156
8T5/800	AT	AP	800	160
8T5/815	AT	AP	815	163
8T5/840	AT	AP	840	168
8T5/850	AT	AP	850	170
8T5/900	AT	AP	900	180
8T5/940	AT	AP	940	188
8T5/990	AT	AP	990	198
8T5/1000	AT	AP	1000	200
8T5/1075	AT	AP	1075	215
8T5/1100	AT	AP	1100	220
8T5/1140	AT	AP	1140	228
8T5/1215	AT	AP	1215	243
8T5/1315	AT	AP	1315	263
8T5/1350	AT	AP	1350	270
8T5/1440	AT	AP	1440	288

AVAILABLE TIMING BELT CONSTRUCTION TYPES

- AT** AT ALPHA TORQUE, MOLDED POLYURETHANE BELTS WITH STEEL CORDS
- AP** AP ALPHA POWER, HIGH PERFORMANCE MOLDED POLYURETHANE BELTS WITH STEEL CORDS

ORDERING EXAMPLES:

- 6T5/500** AT, 6mm Belt Width, T5 Section Size, 500mm Pitch Length
- 8T5/1075AP** AP, 8mm Belt Width, T5 Section Size, 1075mm Pitch Length

Contact an Optibelt representative regarding additional sizes, stock availability and pricing.

EXPEDITED SHIPPING: Each Optibelt warehouse facility cuts timing belts to width for faster order service.

Cut to Size Widths

If you need a custom width timing belt, Optibelt has you covered. Each Optibelt facility can cut custom widths. This means you don't have to wait for a manufactured factory order. If it is stock, it can ship!

Product Availability

Sizes listed may not be readily available. Please contact an Optibelt representative to confirm availability and/or minimum order quantities.

TOLL FREE: 800-292-6081
E-mail: info@optibelt-usa.com



TIMING BELTS, POLYURETHANE

T5 PROFILES

STEEL TENSION CORD

TIMING BELTS
POLYURETHANE

T5 PROFILE POLYURETHANE TIMING BELTS

PART NUMBER	AVAILABLE BELTS TYPES		PITCH LENGTH (MM)	NO. OF TEETH	PART NUMBER	AVAILABLE BELTS TYPES		PITCH LENGTH (MM)	NO. OF TEETH	PART NUMBER	AVAILABLE BELTS TYPES		PITCH LENGTH (MM)	NO. OF TEETH	PART NUMBER	AVAILABLE BELTS TYPES		PITCH LENGTH (MM)	NO. OF TEETH
10T5/165	AT	AP	165	33	10T5/340	AT	AP	340	68	10T5/510	AT	AP	510	102	10T5/725	AT	AP	725	145
10T5/185	AT	AP	185	37	10T5/350	AT	AP	350	70	10T5/525	AT	AP	525	105	10T5/750	AT	AP	750	150
10T5/200	AT	AP	200	40	10T5/355	AT	AP	355	71	10T5/545	AT	AP	545	109	10T5/780	AT	AP	780	156
10T5/215	AT	AP	215	43	10T5/365	AT	AP	365	73	10T5/550	AT	AP	550	110	10T5/800	AT	AP	800	160
10T5/220	AT	AP	220	44	10T5/375	AT	AP	375	75	10T5/560	AT	AP	560	112	10T5/815	AT	AP	815	163
10T5/225	AT	AP	225	45	10T5/390	AT	AP	390	78	10T5/575	AT	AP	575	115	10T5/840	AT	AP	840	168
10T5/245	AT	AP	245	49	10T5/400	AT	AP	400	80	10T5/590	AT	AP	590	118	10T5/850	AT	AP	850	170
10T5/250	AT	AP	250	50	10T5/410	AT	AP	410	82	10T5/600	AT	AP	600	120	10T5/900	AT	AP	900	180
10T5/255	AT	AP	255	51	10T5/420	AT	AP	420	84	10T5/610	AT	AP	610	122	10T5/940	AT	AP	940	188
10T5/260	AT	AP	260	52	10T5/425	AT	AP	425	85	10T5/620	AT	AP	620	124	10T5/990	AT	AP	990	198
10T5/270	AT	AP	270	54	10T5/430	AT	AP	430	86	10T5/625	AT	AP	625	125	10T5/1000	AT	AP	1000	200
10T5/275	AT	AP	275	55	10T5/440	AT	AP	440	88	10T5/630	AT	AP	630	126	10T5/1075	AT	AP	1075	215
10T5/280	AT	AP	280	56	10T5/445	AT	AP	445	89	10T5/640	AT	AP	640	128	10T5/1100	AT	AP	1100	220
10T5/295	AT	AP	295	59	10T5/450	AT	AP	450	90	10T5/650	AT	AP	650	130	10T5/1140	AT	AP	1140	228
10T5/300	AT	AP	300	60	10T5/455	AT	AP	455	91	10T5/660	AT	AP	660	132	10T5/1215	AT	AP	1215	243
10T5/305	AT	AP	305	61	10T5/460	AT	AP	460	92	10T5/675	AT	AP	675	135	10T5/1315	AT	AP	1315	263
10T5/320	AT	AP	320	64	10T5/475	AT	AP	475	95	10T5/690	AT	AP	690	138	10T5/1350	AT	AP	1350	270
10T5/325	AT	AP	325	65	10T5/480	AT	AP	480	96	10T5/700	AT	AP	700	140	10T5/1440	AT	AP	1440	288
10T5/330	AT	AP	330	66	10T5/500	AT	AP	500	100	10T5/720	AT	AP	720	144					

PART NUMBER	AVAILABLE BELTS TYPES		PITCH LENGTH (MM)	NO. OF TEETH	PART NUMBER	AVAILABLE BELTS TYPES		PITCH LENGTH (MM)	NO. OF TEETH	PART NUMBER	AVAILABLE BELTS TYPES		PITCH LENGTH (MM)	NO. OF TEETH	PART NUMBER	AVAILABLE BELTS TYPES		PITCH LENGTH (MM)	NO. OF TEETH
12T5/165	AT	AP	165	33	12T5/340	AT	AP	340	68	12T5/510	AT	AP	510	102	12T5/725	AT	AP	725	145
12T5/185	AT	AP	185	37	12T5/350	AT	AP	350	70	12T5/525	AT	AP	525	105	12T5/750	AT	AP	750	150
12T5/200	AT	AP	200	40	12T5/355	AT	AP	355	71	12T5/545	AT	AP	545	109	12T5/780	AT	AP	780	156
12T5/215	AT	AP	215	43	12T5/365	AT	AP	365	73	12T5/550	AT	AP	550	110	12T5/800	AT	AP	800	160
12T5/220	AT	AP	220	44	12T5/375	AT	AP	375	75	12T5/560	AT	AP	560	112	12T5/815	AT	AP	815	163
12T5/225	AT	AP	225	45	12T5/390	AT	AP	390	78	12T5/575	AT	AP	575	115	12T5/840	AT	AP	840	168
12T5/245	AT	AP	245	49	12T5/400	AT	AP	400	80	12T5/590	AT	AP	590	118	12T5/850	AT	AP	850	170
12T5/250	AT	AP	250	50	12T5/410	AT	AP	410	82	12T5/600	AT	AP	600	120	12T5/900	AT	AP	900	180
12T5/255	AT	AP	255	51	12T5/420	AT	AP	420	84	12T5/610	AT	AP	610	122	12T5/940	AT	AP	940	188
12T5/260	AT	AP	260	52	12T5/425	AT	AP	425	85	12T5/620	AT	AP	620	124	12T5/990	AT	AP	990	198
12T5/270	AT	AP	270	54	12T5/430	AT	AP	430	86	12T5/625	AT	AP	625	125	12T5/1000	AT	AP	1000	200
12T5/275	AT	AP	275	55	12T5/440	AT	AP	440	88	12T5/630	AT	AP	630	126	12T5/1075	AT	AP	1075	215
12T5/280	AT	AP	280	56	12T5/445	AT	AP	445	89	12T5/640	AT	AP	640	128	12T5/1100	AT	AP	1100	220
12T5/295	AT	AP	295	59	12T5/450	AT	AP	450	90	12T5/650	AT	AP	650	130	12T5/1140	AT	AP	1140	228
12T5/300	AT	AP	300	60	12T5/455	AT	AP	455	91	12T5/660	AT	AP	660	132	12T5/1215	AT	AP	1215	243
12T5/305	AT	AP	305	61	12T5/460	AT	AP	460	92	12T5/675	AT	AP	675	135	12T5/1315	AT	AP	1315	263
12T5/320	AT	AP	320	64	12T5/475	AT	AP	475	95	12T5/690	AT	AP	690	138	12T5/1350	AT	AP	1350	270
12T5/325	AT	AP	325	65	12T5/480	AT	AP	480	96	12T5/700	AT	AP	700	140	12T5/1440	AT	AP	1440	288
12T5/330	AT	AP	330	66	12T5/500	AT	AP	500	100	12T5/720	AT	AP	720	144					

AVAILABLE TIMING BELT CONSTRUCTION TYPES

- AT** AT ALPHA TORQUE, MOLDED POLYURETHANE BELTS WITH STEEL CORDS
- AP** AP ALPHA POWER, HIGH PERFORMANCE MOLDED POLYURETHANE BELTS WITH STEEL CORDS

ORDERING EXAMPLES:

- 10T5/330** AT, 10mm Belt Width, T5 Section Size, 330mm Pitch Length
- 12T5/720AP** AP, 10mm Belt Width, T5 Section Size, 720mm Pitch Length

Product Availability

Sizes listed may not be readily available. Please contact an Optibelt representative to confirm availability and/or minimum order quantities.

TOLL FREE: 800-292-6081
E-mail: info@optibelt-usa.com

Cut to Size Widths

If you need a custom width timing belt, Optibelt has you covered. Each Optibelt facility can cut custom widths. This means you don't have to wait for a manufactured factory order. If it is stock, it can ship!

Contact an Optibelt representative regarding additional sizes, stock availability and pricing.

EXPEDITED SHIPPING: Each Optibelt warehouse facility cuts timing belts to width for faster order service.



T5 PROFILE POLYURETHANE TIMING BELTS

TIMING BELTS
POLYURETHANE

PART NUMBER	AVAILABLE BELTS TYPES	PITCH LENGTH (MM)	NO. OF TEETH
16T5/165	AT AP	165	33
16T5/185	AT AP	185	37
16T5/200	AT AP	200	40
16T5/215	AT AP	215	43
16T5/220	AT AP	220	44
16T5/225	AT AP	225	45
16T5/245	AT AP	245	49
16T5/250	AT AP	250	50
16T5/255	AT AP	255	51
16T5/260	AT AP	260	52
16T5/270	AT AP	270	54
16T5/275	AT AP	275	55
16T5/280	AT AP	280	56
16T5/295	AT AP	295	59
16T5/300	AT AP	300	60
16T5/305	AT AP	305	61
16T5/320	AT AP	320	64
16T5/325	AT AP	325	65
16T5/330	AT AP	330	66

PART NUMBER	AVAILABLE BELTS TYPES	PITCH LENGTH (MM)	NO. OF TEETH
16T5/340	AT AP	340	68
16T5/350	AT AP	350	70
16T5/355	AT AP	355	71
16T5/365	AT AP	365	73
16T5/375	AT AP	375	75
16T5/390	AT AP	390	78
16T5/400	AT AP	400	80
16T5/410	AT AP	410	82
16T5/420	AT AP	420	84
16T5/425	AT AP	425	85
16T5/430	AT AP	430	86
16T5/440	AT AP	440	88
16T5/445	AT AP	445	89
16T5/450	AT AP	450	90
16T5/455	AT AP	455	91
16T5/460	AT AP	460	92
16T5/475	AT AP	475	95
16T5/480	AT AP	480	96
16T5/500	AT AP	500	100

PART NUMBER	AVAILABLE BELTS TYPES	PITCH LENGTH (MM)	NO. OF TEETH
16T5/510	AT AP	510	102
16T5/525	AT AP	525	105
16T5/545	AT AP	545	109
16T5/550	AT AP	550	110
16T5/560	AT AP	560	112
16T5/575	AT AP	575	115
16T5/590	AT AP	590	118
16T5/600	AT AP	600	120
16T5/610	AT AP	610	122
16T5/620	AT AP	620	124
16T5/625	AT AP	625	125
16T5/630	AT AP	630	126
16T5/640	AT AP	640	128
16T5/650	AT AP	650	130
16T5/660	AT AP	660	132
16T5/675	AT AP	675	135
16T5/690	AT AP	690	138
16T5/700	AT AP	700	140
16T5/720	AT AP	720	144

PART NUMBER	AVAILABLE BELTS TYPES	PITCH LENGTH (MM)	NO. OF TEETH
16T5/725	AT AP	725	145
16T5/750	AT AP	750	150
16T5/780	AT AP	780	156
16T5/800	AT AP	800	160
16T5/815	AT AP	815	163
16T5/840	AT AP	840	168
16T5/850	AT AP	850	170
16T5/900	AT AP	900	180
16T5/940	AT AP	940	188
16T5/990	AT AP	990	198
16T5/1000	AT AP	1000	200
16T5/1075	AT AP	1075	215
16T5/1100	AT AP	1100	220
16T5/1140	AT AP	1140	228
16T5/1215	AT AP	1215	243
16T5/1315	AT AP	1315	263
16T5/1350	AT AP	1350	270
16T5/1440	AT AP	1440	288

PART NUMBER	AVAILABLE BELTS TYPES	PITCH LENGTH (MM)	NO. OF TEETH
20T5/165	AT AP	165	33
20T5/185	AT AP	185	37
20T5/200	AT AP	200	40
20T5/215	AT AP	215	43
20T5/220	AT AP	220	44
20T5/225	AT AP	225	45
20T5/245	AT AP	245	49
20T5/250	AT AP	250	50
20T5/255	AT AP	255	51
20T5/260	AT AP	260	52
20T5/270	AT AP	270	54
20T5/275	AT AP	275	55
20T5/280	AT AP	280	56
20T5/295	AT AP	295	59
20T5/300	AT AP	300	60
20T5/305	AT AP	305	61
20T5/320	AT AP	320	64
20T5/325	AT AP	325	65
20T5/330	AT AP	330	66

PART NUMBER	AVAILABLE BELTS TYPES	PITCH LENGTH (MM)	NO. OF TEETH
20T5/340	AT AP	340	68
20T5/350	AT AP	350	70
20T5/355	AT AP	355	71
20T5/365	AT AP	365	73
20T5/375	AT AP	375	75
20T5/390	AT AP	390	78
20T5/400	AT AP	400	80
20T5/410	AT AP	410	82
20T5/420	AT AP	420	84
20T5/425	AT AP	425	85
20T5/430	AT AP	430	86
20T5/440	AT AP	440	88
20T5/445	AT AP	445	89
20T5/450	AT AP	450	90
20T5/455	AT AP	455	91
20T5/460	AT AP	460	92
20T5/475	AT AP	475	95
20T5/480	AT AP	480	96
20T5/500	AT AP	500	100

PART NUMBER	AVAILABLE BELTS TYPES	PITCH LENGTH (MM)	NO. OF TEETH
20T5/510	AT AP	510	102
20T5/525	AT AP	525	105
20T5/545	AT AP	545	109
20T5/550	AT AP	550	110
20T5/560	AT AP	560	112
20T5/575	AT AP	575	115
20T5/590	AT AP	590	118
20T5/600	AT AP	600	120
20T5/610	AT AP	610	122
20T5/620	AT AP	620	124
20T5/625	AT AP	625	125
20T5/630	AT AP	630	126
20T5/640	AT AP	640	128
20T5/650	AT AP	650	130
20T5/660	AT AP	660	132
20T5/675	AT AP	675	135
20T5/690	AT AP	690	138
20T5/700	AT AP	700	140
20T5/720	AT AP	720	144

PART NUMBER	AVAILABLE BELTS TYPES	PITCH LENGTH (MM)	NO. OF TEETH
20T5/725	AT AP	725	145
20T5/750	AT AP	750	150
20T5/780	AT AP	780	156
20T5/800	AT AP	800	160
20T5/815	AT AP	815	163
20T5/840	AT AP	840	168
20T5/850	AT AP	850	170
20T5/900	AT AP	900	180
20T5/940	AT AP	940	188
20T5/990	AT AP	990	198
20T5/1000	AT AP	1000	200
20T5/1075	AT AP	1075	215
20T5/1100	AT AP	1100	220
20T5/1140	AT AP	1140	228
20T5/1215	AT AP	1215	243
20T5/1315	AT AP	1315	263
20T5/1350	AT AP	1350	270
20T5/1440	AT AP	1440	288

AVAILABLE TIMING BELT CONSTRUCTION TYPES

- AT** AT ALPHA TORQUE, MOLDED POLYURETHANE BELTS WITH STEEL CORDS
- AP** AP ALPHA POWER, HIGH PERFORMANCE MOLDED POLYURETHANE BELTS WITH STEEL CORDS

ORDERING EXAMPLES:

- 16T5/445** AT, 16mm Belt Width, T5 Section Size, 445mm Pitch Length
- 20T5/940AP** AP, 20mm Belt Width, T5 Section Size, 940mm Pitch Length

Contact an Optibelt representative regarding additional sizes, stock availability and pricing.

EXPEDITED SHIPPING: Each Optibelt warehouse facility cuts timing belts to width for faster order service.

Cut to Size Widths

If you need a custom width timing belt, Optibelt has you covered. Each Optibelt facility can cut custom widths. This means you don't have to wait for a manufactured factory order. If it is stock, it can ship!

Product Availability

Sizes listed may not be readily available. Please contact an Optibelt representative to confirm availability and/or minimum order quantities.

TOLL FREE: 800-292-6081
E-mail: info@optibelt-usa.com



TIMING BELTS, POLYURETHANE

T10 PROFILES

STEEL TENSION CORD

TIMING BELTS
POLYURETHANE

T5 PROFILE POLYURETHANE TIMING BELTS

PART NUMBER	AVAILABLE BELTS TYPES		PITCH LENGTH (MM)	NO. OF TEETH	PART NUMBER	AVAILABLE BELTS TYPES		PITCH LENGTH (MM)	NO. OF TEETH	PART NUMBER	AVAILABLE BELTS TYPES		PITCH LENGTH (MM)	NO. OF TEETH	PART NUMBER	AVAILABLE BELTS TYPES		PITCH LENGTH (MM)	NO. OF TEETH
25T5/165	AT	AP	165	33	25T5/340	AT	AP	340	68	25T5/510	AT	AP	510	102	25T5/725	AT	AP	725	145
25T5/185	AT	AP	185	37	25T5/350	AT	AP	350	70	25T5/525	AT	AP	525	105	25T5/750	AT	AP	750	150
25T5/200	AT	AP	200	40	25T5/355	AT	AP	355	71	25T5/545	AT	AP	545	109	25T5/780	AT	AP	780	156
25T5/215	AT	AP	215	43	25T5/365	AT	AP	365	73	25T5/550	AT	AP	550	110	25T5/800	AT	AP	800	160
25T5/220	AT	AP	220	44	25T5/375	AT	AP	375	75	25T5/560	AT	AP	560	112	25T5/815	AT	AP	815	163
25T5/225	AT	AP	225	45	25T5/390	AT	AP	390	78	25T5/575	AT	AP	575	115	25T5/840	AT	AP	840	168
25T5/245	AT	AP	245	49	25T5/400	AT	AP	400	80	25T5/590	AT	AP	590	118	25T5/850	AT	AP	850	170
25T5/250	AT	AP	250	50	25T5/410	AT	AP	410	82	25T5/600	AT	AP	600	120	25T5/900	AT	AP	900	180
25T5/255	AT	AP	255	51	25T5/420	AT	AP	420	84	25T5/610	AT	AP	610	122	25T5/940	AT	AP	940	188
25T5/260	AT	AP	260	52	25T5/425	AT	AP	425	85	25T5/620	AT	AP	620	124	25T5/990	AT	AP	990	198
25T5/270	AT	AP	270	54	25T5/430	AT	AP	430	86	25T5/625	AT	AP	625	125	25T5/1000	AT	AP	1000	200
25T5/275	AT	AP	275	55	25T5/440	AT	AP	440	88	25T5/630	AT	AP	630	126	25T5/1075	AT	AP	1075	215
25T5/280	AT	AP	280	56	25T5/445	AT	AP	445	89	25T5/640	AT	AP	640	128	25T5/1100	AT	AP	1100	220
25T5/295	AT	AP	295	59	25T5/450	AT	AP	450	90	25T5/650	AT	AP	650	130	25T5/1140	AT	AP	1140	228
25T5/300	AT	AP	300	60	25T5/455	AT	AP	455	91	25T5/660	AT	AP	660	132	25T5/1215	AT	AP	1215	243
25T5/305	AT	AP	305	61	25T5/460	AT	AP	460	92	25T5/675	AT	AP	675	135	25T5/1315	AT	AP	1315	263
25T5/320	AT	AP	320	64	25T5/475	AT	AP	475	95	25T5/690	AT	AP	690	138	25T5/1350	AT	AP	1350	270
25T5/325	AT	AP	325	65	25T5/480	AT	AP	480	96	25T5/700	AT	AP	700	140	25T5/1440	AT	AP	1440	288
25T5/330	AT	AP	330	66	25T5/500	AT	AP	500	100	25T5/720	AT	AP	720	144					

AVAILABLE TIMING BELT CONSTRUCTION TYPES

- AT** ALPHA TORQUE, MOLDED POLYURETHANE BELTS WITH STEEL CORDS
- AP** ALPHA POWER, HIGH PERFORMANCE MOLDED POLYURETHANE BELTS WITH STEEL CORDS

ORDERING EXAMPLES:

- 25T5/250** AT, 25mm Belt Width, T5 Section Size, 250mm Pitch Length
- 25T5/610AP** AP, 25mm Belt Width, T5 Section Size, 640mm Pitch Length

<p>Product Availability Sizes listed may not be readily available. Please contact an Optibelt representative to confirm availability and/or minimum order quantities. TOLL FREE: 800-292-6081 E-mail: info@optibelt-usa.com</p>	<p>Cut to Size Widths If you need a custom width timing belt, Optibelt has you covered. Each Optibelt facility can cut custom widths. This means you don't have to wait for a manufactured factory order. If it is stock, it can ship!</p>	<p>Contact an Optibelt representative regarding additional sizes, stock availability and pricing. EXPEDITED SHIPPING: Each Optibelt warehouse facility cuts timing belts to width for faster order service.</p>
---	--	---



T10 PROFILE POLYURETHANE TIMING BELTS

TIMING BELTS
POLYURETHANE

PART NUMBER	AVAILABLE BELTS TYPES		PITCH LENGTH (MM)	NO. OF TEETH
10T10/260	AT	AP	260	26
10T10/320	AT	AP	320	32
10T10/350	AT	AP	350	35
10T10/370	AT	AP	370	37
10T10/400	AT	AP	400	40
10T10/410	AT	AP	410	41
10T10/440	AT	AP	440	44
10T10/450	AT	AP	450	45
10T10/500	AT	AP	500	50
10T10/530	AT	AP	530	53
10T10/550	AT	AP	550	55
10T10/560	AT	AP	560	56
10T10/600	AT	AP	600	60
10T10/610	AT	AP	610	61
10T10/630	AT	AP	630	63
10T10/650	AT	AP	650	65
10T10/660	AT	AP	660	66

PART NUMBER	AVAILABLE BELTS TYPES		PITCH LENGTH (MM)	NO. OF TEETH
10T10/690	AT	AP	690	69
10T10/700	AT	AP	700	70
10T10/720	AT	AP	720	72
10T10/750	AT	AP	750	75
10T10/780	AT	AP	780	78
10T10/800	AT	AP	800	80
10T10/810	AT	AP	810	81
10T10/840	AT	AP	840	84
10T10/850	AT	AP	850	85
10T10/880	AT	AP	880	88
10T10/890	AT	AP	890	89
10T10/900	AT	AP	900	90
10T10/910	AT	AP	910	91
10T10/920	AT	AP	920	92
10T10/950	AT	AP	950	95
10T10/960	AT	AP	960	96
10T10/970	AT	AP	970	97

PART NUMBER	AVAILABLE BELTS TYPES		PITCH LENGTH (MM)	NO. OF TEETH
10T10/980	AT	AP	980	98
10T10/1000	AT	AP	1000	100
10T10/1010	AT	AP	1010	101
10T10/1050	AT	AP	1050	105
10T10/1080	AT	AP	1080	108
10T10/1100	AT	AP	1100	110
10T10/1140	AT	AP	1140	114
10T10/1150	AT	AP	1150	115
10T10/1200	AT	AP	1200	120
10T10/1210	AT	AP	1210	121
10T10/1240	AT	AP	1240	124
10T10/1250	AT	AP	1250	125
10T10/1300	AT	AP	1300	130
10T10/1320	AT	AP	1320	132
10T10/1350	AT	AP	1350	135
10T10/1390	AT	AP	1390	139

PART NUMBER	AVAILABLE BELTS TYPES		PITCH LENGTH (MM)	NO. OF TEETH
10T10/1400	AT	AP	1400	140
10T10/1420	AT	AP	1420	142
10T10/1440	AT	AP	1440	144
10T10/1450	AT	AP	1450	145
10T10/1460	AT	AP	1460	146
10T10/1500	AT	AP	1500	150
10T10/1560	AT	AP	1560	156
10T10/1600	AT	AP	1600	160
10T10/1610	AT	AP	1610	161
10T10/1700	AT	AP	1700	170
10T10/1750	AT	AP	1750	175
10T10/1780	AT	AP	1780	178
10T10/1800	AT	AP	1800	180
10T10/1880	AT	AP	1880	188
10T10/1960	AT	AP	1960	196
10T10/2250	AT	AP	2250	225

PART NUMBER	AVAILABLE BELTS TYPES		PITCH LENGTH (MM)	NO. OF TEETH
12T10/260	AT	AP	260	26
12T10/320	AT	AP	320	32
12T10/350	AT	AP	350	35
12T10/370	AT	AP	370	37
12T10/400	AT	AP	400	40
12T10/410	AT	AP	410	41
12T10/440	AT	AP	440	44
12T10/450	AT	AP	450	45
12T10/500	AT	AP	500	50
12T10/530	AT	AP	530	53
12T10/550	AT	AP	550	55
12T10/560	AT	AP	560	56
12T10/600	AT	AP	600	60
12T10/610	AT	AP	610	61
12T10/630	AT	AP	630	63
12T10/650	AT	AP	650	65
12T10/660	AT	AP	660	66

PART NUMBER	AVAILABLE BELTS TYPES		PITCH LENGTH (MM)	NO. OF TEETH
12T10/690	AT	AP	690	69
12T10/700	AT	AP	700	70
12T10/720	AT	AP	720	72
12T10/750	AT	AP	750	75
12T10/780	AT	AP	780	78
12T10/800	AT	AP	800	80
12T10/810	AT	AP	810	81
12T10/840	AT	AP	840	84
12T10/850	AT	AP	850	85
12T10/880	AT	AP	880	88
12T10/890	AT	AP	890	89
12T10/900	AT	AP	900	90
12T10/910	AT	AP	910	91
12T10/920	AT	AP	920	92
12T10/950	AT	AP	950	95
12T10/960	AT	AP	960	96
12T10/970	AT	AP	970	97

PART NUMBER	AVAILABLE BELTS TYPES		PITCH LENGTH (MM)	NO. OF TEETH
12T10/980	AT	AP	980	98
12T10/1000	AT	AP	1000	100
12T10/1010	AT	AP	1010	101
12T10/1050	AT	AP	1050	105
12T10/1080	AT	AP	1080	108
12T10/1100	AT	AP	1100	110
12T10/1140	AT	AP	1140	114
12T10/1150	AT	AP	1150	115
12T10/1200	AT	AP	1200	120
12T10/1210	AT	AP	1210	121
12T10/1240	AT	AP	1240	124
12T10/1250	AT	AP	1250	125
12T10/1300	AT	AP	1300	130
12T10/1320	AT	AP	1320	132
12T10/1350	AT	AP	1350	135
12T10/1390	AT	AP	1390	139

PART NUMBER	AVAILABLE BELTS TYPES		PITCH LENGTH (MM)	NO. OF TEETH
12T10/1400	AT	AP	1400	140
12T10/1420	AT	AP	1420	142
12T10/1440	AT	AP	1440	144
12T10/1450	AT	AP	1450	145
12T10/1460	AT	AP	1460	146
12T10/1500	AT	AP	1500	150
12T10/1560	AT	AP	1560	156
12T10/1600	AT	AP	1600	160
12T10/1610	AT	AP	1610	161
12T10/1700	AT	AP	1700	170
12T10/1750	AT	AP	1750	175
12T10/1780	AT	AP	1780	178
12T10/1800	AT	AP	1800	180
12T10/1880	AT	AP	1880	188
12T10/1960	AT	AP	1960	196
12T10/2250	AT	AP	2250	225

AVAILABLE TIMING BELT CONSTRUCTION TYPES

- AT** AT ALPHA TORQUE, MOLDED POLYURETHANE BELTS WITH STEEL CORDS
- AP** AP ALPHA POWER, HIGH PERFORMANCE MOLDED POLYURETHANE BELTS WITH STEEL CORDS

ORDERING EXAMPLES:

- 10T10/970** AT, 10mm Belt Width, T10 Section Size, 970mm Pitch Length
- 12T10/1460AP** AP, 12mm Belt Width, T10 Section Size, 1460mm Pitch Length

Contact an Optibelt representative regarding additional sizes, stock availability and pricing.

EXPEDITED SHIPPING: Each Optibelt warehouse facility cuts timing belts to width for faster order service.

Cut to Size Widths
If you need a custom width timing belt, Optibelt has you covered. Each Optibelt facility can cut custom widths. This means you don't have to wait for a manufactured factory order. If it is stock, it can ship!

Product Availability
Sizes listed may not be readily available. Please contact an Optibelt representative to confirm availability and/or minimum order quantities.

TOLL FREE: 800-292-6081
E-mail: info@optibelt-usa.com



TIMING BELTS, POLYURETHANE

T10 PROFILES

STEEL TENSION CORD

TIMING BELTS
POLYURETHANE

T10 PROFILE POLYURETHANE TIMING BELTS

PART NUMBER	AVAILABLE BELTS TYPES		PITCH LENGTH (MM)	NO. OF TEETH	PART NUMBER	AVAILABLE BELTS TYPES		PITCH LENGTH (MM)	NO. OF TEETH	PART NUMBER	AVAILABLE BELTS TYPES		PITCH LENGTH (MM)	NO. OF TEETH	PART NUMBER	AVAILABLE BELTS TYPES		PITCH LENGTH (MM)	NO. OF TEETH
	AT	AP				AT	AP				AT	AP				AT	AP		
16T10/260	AT	AP	260	26	16T10/690	AT	AP	690	69	16T10/980	AT	AP	980	98	16T10/1400	AT	AP	1400	140
16T10/320	AT	AP	320	32	16T10/700	AT	AP	700	70	16T10/1000	AT	AP	1000	100	16T10/1420	AT	AP	1420	142
16T10/350	AT	AP	350	35	16T10/720	AT	AP	720	72	16T10/1010	AT	AP	1010	101	16T10/1440	AT	AP	1440	144
16T10/370	AT	AP	370	37	16T10/750	AT	AP	750	75	16T10/1050	AT	AP	1050	105	16T10/1450	AT	AP	1450	145
16T10/400	AT	AP	400	40	16T10/780	AT	AP	780	78	16T10/1080	AT	AP	1080	108	16T10/1460	AT	AP	1460	146
16T10/410	AT	AP	410	41	16T10/800	AT	AP	800	80	16T10/1100	AT	AP	1100	110	16T10/1500	AT	AP	1500	150
16T10/440	AT	AP	440	44	16T10/810	AT	AP	810	81	16T10/1140	AT	AP	1140	114	16T10/1560	AT	AP	1560	156
16T10/450	AT	AP	450	45	16T10/840	AT	AP	840	84	16T10/1150	AT	AP	1150	115	16T10/1600	AT	AP	1600	160
16T10/500	AT	AP	500	50	16T10/850	AT	AP	850	85	16T10/1200	AT	AP	1200	120	16T10/1610	AT	AP	1610	161
16T10/530	AT	AP	530	53	16T10/880	AT	AP	880	88	16T10/1210	AT	AP	1210	121	16T10/1700	AT	AP	1700	170
16T10/550	AT	AP	550	55	16T10/890	AT	AP	890	89	16T10/1240	AT	AP	1240	124	16T10/1750	AT	AP	1750	175
16T10/560	AT	AP	560	56	16T10/900	AT	AP	900	90	16T10/1250	AT	AP	1250	125	16T10/1780	AT	AP	1780	178
16T10/600	AT	AP	600	60	16T10/910	AT	AP	910	91	16T10/1300	AT	AP	1300	130	16T10/1800	AT	AP	1800	180
16T10/610	AT	AP	610	61	16T10/920	AT	AP	920	92	16T10/1320	AT	AP	1320	132	16T10/1880	AT	AP	1880	188
16T10/630	AT	AP	630	63	16T10/950	AT	AP	950	95	16T10/1350	AT	AP	1350	135	16T10/1960	AT	AP	1960	196
16T10/650	AT	AP	650	65	16T10/960	AT	AP	960	96	16T10/1390	AT	AP	1390	139	16T10/2250	AT	AP	2250	225
16T10/660	AT	AP	660	66	16T10/970	AT	AP	970	97										

PART NUMBER	AVAILABLE BELTS TYPES		PITCH LENGTH (MM)	NO. OF TEETH	PART NUMBER	AVAILABLE BELTS TYPES		PITCH LENGTH (MM)	NO. OF TEETH	PART NUMBER	AVAILABLE BELTS TYPES		PITCH LENGTH (MM)	NO. OF TEETH	PART NUMBER	AVAILABLE BELTS TYPES		PITCH LENGTH (MM)	NO. OF TEETH
	AT	AP				AT	AP				AT	AP				AT	AP		
20T10/260	AT	AP	260	26	20T10/690	AT	AP	690	69	20T10/980	AT	AP	980	98	20T10/1400	AT	AP	1400	140
20T10/320	AT	AP	320	32	20T10/700	AT	AP	700	70	20T10/1000	AT	AP	1000	100	20T10/1420	AT	AP	1420	142
20T10/350	AT	AP	350	35	20T10/720	AT	AP	720	72	20T10/1010	AT	AP	1010	101	20T10/1440	AT	AP	1440	144
20T10/370	AT	AP	370	37	20T10/750	AT	AP	750	75	20T10/1050	AT	AP	1050	105	20T10/1450	AT	AP	1450	145
20T10/400	AT	AP	400	40	20T10/780	AT	AP	780	78	20T10/1080	AT	AP	1080	108	20T10/1460	AT	AP	1460	146
20T10/410	AT	AP	410	41	20T10/800	AT	AP	800	80	20T10/1100	AT	AP	1100	110	20T10/1500	AT	AP	1500	150
20T10/440	AT	AP	440	44	20T10/810	AT	AP	810	81	20T10/1140	AT	AP	1140	114	20T10/1560	AT	AP	1560	156
20T10/450	AT	AP	450	45	20T10/840	AT	AP	840	84	20T10/1150	AT	AP	1150	115	20T10/1600	AT	AP	1600	160
20T10/500	AT	AP	500	50	20T10/850	AT	AP	850	85	20T10/1200	AT	AP	1200	120	20T10/1610	AT	AP	1610	161
20T10/530	AT	AP	530	53	20T10/880	AT	AP	880	88	20T10/1210	AT	AP	1210	121	20T10/1700	AT	AP	1700	170
20T10/550	AT	AP	550	55	20T10/890	AT	AP	890	89	20T10/1240	AT	AP	1240	124	20T10/1750	AT	AP	1750	175
20T10/560	AT	AP	560	56	20T10/900	AT	AP	900	90	20T10/1250	AT	AP	1250	125	20T10/1780	AT	AP	1780	178
20T10/600	AT	AP	600	60	20T10/910	AT	AP	910	91	20T10/1300	AT	AP	1300	130	20T10/1800	AT	AP	1800	180
20T10/610	AT	AP	610	61	20T10/920	AT	AP	920	92	20T10/1320	AT	AP	1320	132	20T10/1880	AT	AP	1880	188
20T10/630	AT	AP	630	63	20T10/950	AT	AP	950	95	20T10/1350	AT	AP	1350	135	20T10/1960	AT	AP	1960	196
20T10/650	AT	AP	650	65	20T10/960	AT	AP	960	96	20T10/1390	AT	AP	1390	139	20T10/2250	AT	AP	2250	225
20T10/660	AT	AP	660	66	20T10/970	AT	AP	970	97										

AVAILABLE TIMING BELT CONSTRUCTION TYPES

- AT** ALPHA TORQUE, MOLDED POLYURETHANE BELTS WITH STEEL CORDS
- AP** ALPHA POWER, HIGH PERFORMANCE MOLDED POLYURETHANE BELTS WITH STEEL CORDS

ORDERING EXAMPLES:

- 16T10/560** AT, 16mm Belt Width, T10 Section Size, 560mm Pitch Length
- 20T10/2250AP** AP, 20mm Belt Width, T10 Section Size, 2250mm Pitch Length

Product Availability

Sizes listed may not be readily available. Please contact an Optibelt representative to confirm availability and/or minimum order quantities.

TOLL FREE: 800-292-6081
E-mail: info@optibelt-usa.com

Cut to Size Widths

If you need a custom width timing belt, Optibelt has you covered. Each Optibelt facility can cut custom widths. This means you don't have to wait for a manufactured factory order. If it is stock, it can ship!

Contact an Optibelt representative regarding additional sizes, stock availability and pricing.

EXPEDITED SHIPPING: Each Optibelt warehouse facility cuts timing belts to width for faster order service.



T10 PROFILE POLYURETHANE TIMING BELTS

TIMING BELTS
POLYURETHANE

PART NUMBER	AVAILABLE BELTS TYPES		PITCH LENGTH (MM)	NO. OF TEETH
25T10/260	AT	AP	260	26
25T10/320	AT	AP	320	32
25T10/350	AT	AP	350	35
25T10/370	AT	AP	370	37
25T10/400	AT	AP	400	40
25T10/410	AT	AP	410	41
25T10/440	AT	AP	440	44
25T10/450	AT	AP	450	45
25T10/500	AT	AP	500	50
25T10/530	AT	AP	530	53
25T10/550	AT	AP	550	55
25T10/560	AT	AP	560	56
25T10/600	AT	AP	600	60
25T10/610	AT	AP	610	61
25T10/630	AT	AP	630	63
25T10/650	AT	AP	650	65
25T10/660	AT	AP	660	66

PART NUMBER	AVAILABLE BELTS TYPES		PITCH LENGTH (MM)	NO. OF TEETH
25T10/690	AT	AP	690	69
25T10/700	AT	AP	700	70
25T10/720	AT	AP	720	72
25T10/750	AT	AP	750	75
25T10/780	AT	AP	780	78
25T10/800	AT	AP	800	80
25T10/810	AT	AP	810	81
25T10/840	AT	AP	840	84
25T10/850	AT	AP	850	85
25T10/880	AT	AP	880	88
25T10/890	AT	AP	890	89
25T10/900	AT	AP	900	90
25T10/910	AT	AP	910	91
25T10/920	AT	AP	920	92
25T10/950	AT	AP	950	95
25T10/960	AT	AP	960	96
25T10/970	AT	AP	970	97

PART NUMBER	AVAILABLE BELTS TYPES		PITCH LENGTH (MM)	NO. OF TEETH
25T10/980	AT	AP	980	98
25T10/1000	AT	AP	1000	100
25T10/1010	AT	AP	1010	101
25T10/1050	AT	AP	1050	105
25T10/1080	AT	AP	1080	108
25T10/1100	AT	AP	1100	110
25T10/1140	AT	AP	1140	114
25T10/1150	AT	AP	1150	115
25T10/1200	AT	AP	1200	120
25T10/1210	AT	AP	1210	121
25T10/1240	AT	AP	1240	124
25T10/1250	AT	AP	1250	125
25T10/1300	AT	AP	1300	130
25T10/1320	AT	AP	1320	132
25T10/1350	AT	AP	1350	135
25T10/1390	AT	AP	1390	139

PART NUMBER	AVAILABLE BELTS TYPES		PITCH LENGTH (MM)	NO. OF TEETH
25T10/1400	AT	AP	1400	140
25T10/1420	AT	AP	1420	142
25T10/1440	AT	AP	1440	144
25T10/1450	AT	AP	1450	145
25T10/1460	AT	AP	1460	146
25T10/1500	AT	AP	1500	150
25T10/1560	AT	AP	1560	156
25T10/1600	AT	AP	1600	160
25T10/1610	AT	AP	1610	161
25T10/1700	AT	AP	1700	170
25T10/1750	AT	AP	1750	175
25T10/1780	AT	AP	1780	178
25T10/1800	AT	AP	1800	180
25T10/1880	AT	AP	1880	188
25T10/1960	AT	AP	1960	196
25T10/2250	AT	AP	2250	225

PART NUMBER	AVAILABLE BELTS TYPES		PITCH LENGTH (MM)	NO. OF TEETH
32T10/260	AT	AP	260	26
32T10/320	AT	AP	320	32
32T10/350	AT	AP	350	35
32T10/370	AT	AP	370	37
32T10/400	AT	AP	400	40
32T10/410	AT	AP	410	41
32T10/440	AT	AP	440	44
32T10/450	AT	AP	450	45
32T10/500	AT	AP	500	50
32T10/530	AT	AP	530	53
32T10/550	AT	AP	550	55
32T10/560	AT	AP	560	56
32T10/600	AT	AP	600	60
32T10/610	AT	AP	610	61
32T10/630	AT	AP	630	63
32T10/650	AT	AP	650	65
32T10/660	AT	AP	660	66

PART NUMBER	AVAILABLE BELTS TYPES		PITCH LENGTH (MM)	NO. OF TEETH
32T10/690	AT	AP	690	69
32T10/700	AT	AP	700	70
32T10/720	AT	AP	720	72
32T10/750	AT	AP	750	75
32T10/780	AT	AP	780	78
32T10/800	AT	AP	800	80
32T10/810	AT	AP	810	81
32T10/840	AT	AP	840	84
32T10/850	AT	AP	850	85
32T10/880	AT	AP	880	88
32T10/890	AT	AP	890	89
32T10/900	AT	AP	900	90
32T10/910	AT	AP	910	91
32T10/920	AT	AP	920	92
32T10/950	AT	AP	950	95
32T10/960	AT	AP	960	96
32T10/970	AT	AP	970	97

PART NUMBER	AVAILABLE BELTS TYPES		PITCH LENGTH (MM)	NO. OF TEETH
32T10/980	AT	AP	980	98
32T10/1000	AT	AP	1000	100
32T10/1010	AT	AP	1010	101
32T10/1050	AT	AP	1050	105
32T10/1080	AT	AP	1080	108
32T10/1100	AT	AP	1100	110
32T10/1140	AT	AP	1140	114
32T10/1150	AT	AP	1150	115
32T10/1200	AT	AP	1200	120
32T10/1210	AT	AP	1210	121
32T10/1240	AT	AP	1240	124
32T10/1250	AT	AP	1250	125
32T10/1300	AT	AP	1300	130
32T10/1320	AT	AP	1320	132
32T10/1350	AT	AP	1350	135
32T10/1390	AT	AP	1390	139

PART NUMBER	AVAILABLE BELTS TYPES		PITCH LENGTH (MM)	NO. OF TEETH
32T10/1400	AT	AP	1400	140
32T10/1420	AT	AP	1420	142
32T10/1440	AT	AP	1440	144
32T10/1450	AT	AP	1450	145
32T10/1460	AT	AP	1460	146
32T10/1500	AT	AP	1500	150
32T10/1560	AT	AP	1560	156
32T10/1600	AT	AP	1600	160
32T10/1610	AT	AP	1610	161
32T10/1700	AT	AP	1700	170
32T10/1750	AT	AP	1750	175
32T10/1780	AT	AP	1780	178
32T10/1800	AT	AP	1800	180
32T10/1880	AT	AP	1880	188
32T10/1960	AT	AP	1960	196
32T10/2250	AT	AP	2250	225

AVAILABLE TIMING BELT CONSTRUCTION TYPES

- AT** AT ALPHA TORQUE, MOLDED POLYURETHANE BELTS WITH STEEL CORDS
- AP** AP ALPHA POWER, HIGH PERFORMANCE MOLDED POLYURETHANE BELTS WITH STEEL CORDS

ORDERING EXAMPLES:

- 25T10/720** AT, 25mm Belt Width, T10 Section Size, 720mm Pitch Length
- 32T10/1300AP** AP, 32mm Belt Width, T10 Section Size, 1300mm Pitch Length

Contact an Optibelt representative regarding additional sizes, stock availability and pricing.

EXPEDITED SHIPPING: Each Optibelt warehouse facility cuts timing belts to width for faster order service.

Cut to Size Widths
If you need a custom width timing belt, Optibelt has you covered. Each Optibelt facility can cut custom widths. This means you don't have to wait for a manufactured factory order. If it is stock, it can ship!

Product Availability
Sizes listed may not be readily available. Please contact an Optibelt representative to confirm availability and/or minimum order quantities.

TOLL FREE: 800-292-6081
E-mail: info@optibelt-usa.com



TIMING BELTS, POLYURETHANE

T10 PROFILES

STEEL TENSION CORD

TIMING BELTS
POLYURETHANE

T10 PROFILE POLYURETHANE TIMING BELTS

PART NUMBER	AVAILABLE BELTS TYPES		PITCH LENGTH (MM)	NO. OF TEETH	PART NUMBER	AVAILABLE BELTS TYPES		PITCH LENGTH (MM)	NO. OF TEETH	PART NUMBER	AVAILABLE BELTS TYPES		PITCH LENGTH (MM)	NO. OF TEETH	PART NUMBER	AVAILABLE BELTS TYPES		PITCH LENGTH (MM)	NO. OF TEETH
50T10/260	AT	AP	260	26	50T10/690	AT	AP	690	69	50T10/980	AT	AP	980	98	50T10/1400	AT	AP	1400	140
50T10/320	AT	AP	320	32	50T10/700	AT	AP	700	70	50T10/1000	AT	AP	1000	100	50T10/1420	AT	AP	1420	142
50T10/350	AT	AP	350	35	50T10/720	AT	AP	720	72	50T10/1010	AT	AP	1010	101	50T10/1440	AT	AP	1440	144
50T10/370	AT	AP	370	37	50T10/750	AT	AP	750	75	50T10/1050	AT	AP	1050	105	50T10/1450	AT	AP	1450	145
50T10/400	AT	AP	400	40	50T10/780	AT	AP	780	78	50T10/1080	AT	AP	1080	108	50T10/1460	AT	AP	1460	146
50T10/410	AT	AP	410	41	50T10/800	AT	AP	800	80	50T10/1100	AT	AP	1100	110	50T10/1500	AT	AP	1500	150
50T10/440	AT	AP	440	44	50T10/810	AT	AP	810	81	50T10/1140	AT	AP	1140	114	50T10/1560	AT	AP	1560	156
50T10/450	AT	AP	450	45	50T10/840	AT	AP	840	84	50T10/1150	AT	AP	1150	115	50T10/1600	AT	AP	1600	160
50T10/500	AT	AP	500	50	50T10/850	AT	AP	850	85	50T10/1200	AT	AP	1200	120	50T10/1610	AT	AP	1610	161
50T10/530	AT	AP	530	53	50T10/880	AT	AP	880	88	50T10/1210	AT	AP	1210	121	50T10/1700	AT	AP	1700	170
50T10/550	AT	AP	550	55	50T10/890	AT	AP	890	89	50T10/1240	AT	AP	1240	124	50T10/1750	AT	AP	1750	175
50T10/560	AT	AP	560	56	50T10/900	AT	AP	900	90	50T10/1250	AT	AP	1250	125	50T10/1780	AT	AP	1780	178
50T10/600	AT	AP	600	60	50T10/910	AT	AP	910	91	50T10/1300	AT	AP	1300	130	50T10/1800	AT	AP	1800	180
50T10/610	AT	AP	610	61	50T10/920	AT	AP	920	92	50T10/1320	AT	AP	1320	132	50T10/1880	AT	AP	1880	188
50T10/630	AT	AP	630	63	50T10/950	AT	AP	950	95	50T10/1350	AT	AP	1350	135	50T10/1960	AT	AP	1960	196
50T10/650	AT	AP	650	65	50T10/960	AT	AP	960	96	50T10/1390	AT	AP	1390	139	50T10/2250	AT	AP	2250	225
50T10/660	AT	AP	660	66	50T10/970	AT	AP	970	97										

AVAILABLE TIMING BELT CONSTRUCTION TYPES

- AT** AT ALPHA TORQUE, MOLDED POLYURETHANE BELTS WITH STEEL CORDS
- AP** AP ALPHA POWER, HIGH PERFORMANCE MOLDED POLYURETHANE BELTS WITH STEEL CORDS

ORDERING EXAMPLES:

- 50T10/260** AT, 50mm Belt Width, T10 Section Size, 260mm Pitch Length
- 50T10/1610AP** AP, 50mm Belt Width, T10 Section Size, 1610mm Pitch Length

Product Availability

Sizes listed may not be readily available. Please contact an Optibelt representative to confirm availability and/or minimum order quantities.

TOLL FREE: 800-292-6081
E-mail: info@optibelt-usa.com

Cut to Size Widths

If you need a custom width timing belt, Optibelt has you covered. Each Optibelt facility can cut custom widths. This means you don't have to wait for a manufactured factory order. If it is stock, it can ship!

Contact an Optibelt representative regarding additional sizes, stock availability and pricing.

EXPEDITED SHIPPING: Each Optibelt warehouse facility cuts timing belts to width for faster order service.



AT5 PROFILE POLYURETHANE TIMING BELTS

PART NUMBER	AVAILABLE BELTS TYPES	PITCH LENGTH (MM)	NO. OF TEETH
6AT5/225	AT AP	225	45
6AT5/255	AT AP	255	51
6AT5/280	AT AP	280	56
6AT5/300	AT AP	300	60
6AT5/340	AT AP	340	68
6AT5/375	AT AP	375	75

PART NUMBER	AVAILABLE BELTS TYPES	PITCH LENGTH (MM)	NO. OF TEETH
6AT5/390	AT AP	390	78
6AT5/420	AT AP	420	84
6AT5/450	AT AP	450	90
6AT5/455	AT AP	455	91
6AT5/500	AT AP	500	100
6AT5/545	AT AP	545	109

PART NUMBER	AVAILABLE BELTS TYPES	PITCH LENGTH (MM)	NO. OF TEETH
6AT5/600	AT AP	600	120
6AT5/610	AT AP	610	122
6AT5/660	AT AP	660	132
6AT5/710	AT AP	710	142
6AT5/720	AT AP	720	144
6AT5/750	AT AP	750	150

PART NUMBER	AVAILABLE BELTS TYPES	PITCH LENGTH (MM)	NO. OF TEETH
6AT5/780	AT AP	780	156
6AT5/825	AT AP	825	165
6AT5/860	AT AP	860	172
6AT5/975	AT AP	975	195
6AT5/1050	AT AP	1050	210
6AT5/1500	AT AP	1500	300

PART NUMBER	AVAILABLE BELTS TYPES	PITCH LENGTH (MM)	NO. OF TEETH
8AT5/225	AT AP	225	45
8AT5/255	AT AP	255	51
8AT5/280	AT AP	280	56
8AT5/300	AT AP	300	60
8AT5/340	AT AP	340	68
8AT5/375	AT AP	375	75

PART NUMBER	AVAILABLE BELTS TYPES	PITCH LENGTH (MM)	NO. OF TEETH
8AT5/390	AT AP	390	78
8AT5/420	AT AP	420	84
8AT5/450	AT AP	450	90
8AT5/455	AT AP	455	91
8AT5/500	AT AP	500	100
8AT5/545	AT AP	545	109

PART NUMBER	AVAILABLE BELTS TYPES	PITCH LENGTH (MM)	NO. OF TEETH
8AT5/600	AT AP	600	120
8AT5/610	AT AP	610	122
8AT5/660	AT AP	660	132
8AT5/710	AT AP	710	142
8AT5/720	AT AP	720	144
8AT5/750	AT AP	750	150

PART NUMBER	AVAILABLE BELTS TYPES	PITCH LENGTH (MM)	NO. OF TEETH
8AT5/780	AT AP	780	156
8AT5/825	AT AP	825	165
8AT5/860	AT AP	860	172
8AT5/975	AT AP	975	195
8AT5/1050	AT AP	1050	210
8AT5/1500	AT AP	1500	300

PART NUMBER	AVAILABLE BELTS TYPES	PITCH LENGTH (MM)	NO. OF TEETH
10AT5/225	AT AP	225	45
10AT5/255	AT AP	255	51
10AT5/280	AT AP	280	56
10AT5/300	AT AP	300	60
10AT5/340	AT AP	340	68
10AT5/375	AT AP	375	75

PART NUMBER	AVAILABLE BELTS TYPES	PITCH LENGTH (MM)	NO. OF TEETH
10AT5/390	AT AP	390	78
10AT5/420	AT AP	420	84
10AT5/450	AT AP	450	90
10AT5/455	AT AP	455	91
10AT5/500	AT AP	500	100
10AT5/545	AT AP	545	109

PART NUMBER	AVAILABLE BELTS TYPES	PITCH LENGTH (MM)	NO. OF TEETH
10AT5/600	AT AP	600	120
10AT5/610	AT AP	610	122
10AT5/660	AT AP	660	132
10AT5/710	AT AP	710	142
10AT5/720	AT AP	720	144
10AT5/750	AT AP	750	150

PART NUMBER	AVAILABLE BELTS TYPES	PITCH LENGTH (MM)	NO. OF TEETH
10AT5/780	AT AP	780	156
10AT5/825	AT AP	825	165
10AT5/860	AT AP	860	172
10AT5/975	AT AP	975	195
10AT5/1050	AT AP	1050	210
10AT5/1500	AT AP	1500	300

PART NUMBER	AVAILABLE BELTS TYPES	PITCH LENGTH (MM)	NO. OF TEETH
12AT5/225	AT AP	225	45
12AT5/255	AT AP	255	51
12AT5/280	AT AP	280	56
12AT5/300	AT AP	300	60
12AT5/340	AT AP	340	68
12AT5/375	AT AP	375	75

PART NUMBER	AVAILABLE BELTS TYPES	PITCH LENGTH (MM)	NO. OF TEETH
12AT5/390	AT AP	390	78
12AT5/420	AT AP	420	84
12AT5/450	AT AP	450	90
12AT5/455	AT AP	455	91
12AT5/500	AT AP	500	100
12AT5/545	AT AP	545	109

PART NUMBER	AVAILABLE BELTS TYPES	PITCH LENGTH (MM)	NO. OF TEETH
12AT5/600	AT AP	600	120
12AT5/610	AT AP	610	122
12AT5/660	AT AP	660	132
12AT5/710	AT AP	710	142
12AT5/720	AT AP	720	144
12AT5/750	AT AP	750	150

PART NUMBER	AVAILABLE BELTS TYPES	PITCH LENGTH (MM)	NO. OF TEETH
12AT5/780	AT AP	780	156
12AT5/825	AT AP	825	165
12AT5/860	AT AP	860	172
12AT5/975	AT AP	975	195
12AT5/1050	AT AP	1050	210
12AT5/1500	AT AP	1500	300

PART NUMBER	AVAILABLE BELTS TYPES	PITCH LENGTH (MM)	NO. OF TEETH
16AT5/225	AT AP	225	45
16AT5/255	AT AP	255	51
16AT5/280	AT AP	280	56
16AT5/300	AT AP	300	60
16AT5/340	AT AP	340	68
16AT5/375	AT AP	375	75

PART NUMBER	AVAILABLE BELTS TYPES	PITCH LENGTH (MM)	NO. OF TEETH
16AT5/390	AT AP	390	78
16AT5/420	AT AP	420	84
16AT5/450	AT AP	450	90
16AT5/455	AT AP	455	91
16AT5/500	AT AP	500	100
16AT5/545	AT AP	545	109

PART NUMBER	AVAILABLE BELTS TYPES	PITCH LENGTH (MM)	NO. OF TEETH
16AT5/600	AT AP	600	120
16AT5/610	AT AP	610	122
16AT5/660	AT AP	660	132
16AT5/710	AT AP	710	142
16AT5/720	AT AP	720	144
16AT5/750	AT AP	750	150

PART NUMBER	AVAILABLE BELTS TYPES	PITCH LENGTH (MM)	NO. OF TEETH
16AT5/780	AT AP	780	156
16AT5/825	AT AP	825	165
16AT5/860	AT AP	860	172
16AT5/975	AT AP	975	195
16AT5/1050	AT AP	1050	210
16AT5/1500	AT AP	1500	300

AVAILABLE TIMING BELT CONSTRUCTION TYPES

- AT** AT ALPHA TORQUE, MOLDED POLYURETHANE BELTS WITH STEEL CORDS
- AP** AP ALPHA POWER, HIGH PERFORMANCE MOLDED POLYURETHANE BELTS WITH STEEL CORDS

ORDERING EXAMPLES:

- 8AT5/375** AT, 8mm Belt Width, AT5 Section Size, 375mm Pitch Length
- 12AT5/750** AP, 12mm Belt Width, AT5 Section Size, 750mm Pitch Length

Contact an Optibelt representative regarding additional sizes, stock availability and pricing.

EXPEDITED SHIPPING: Each Optibelt warehouse facility cuts timing belts to width for faster order service.

Cut to Size Widths

If you need a custom width timing belt, Optibelt has you covered. Each Optibelt facility can cut custom widths. This means you don't have to wait for a manufactured factory order. If it is stock, it can ship!

Product Availability

Sizes listed may not be readily available. Please contact an Optibelt representative to confirm availability and/or minimum order quantities.

TOLL FREE: 800-292-6081
E-mail: info@optibelt-usa.com



TIMING BELTS, POLYURETHANE

AT5 PROFILES

STEEL TENSION CORD

TIMING BELTS
POLYURETHANE

AT5 PROFILE POLYURETHANE TIMING BELTS

PART NUMBER	AVAILABLE BELTS TYPES		PITCH LENGTH (MM)	NO. OF TEETH	PART NUMBER	AVAILABLE BELTS TYPES		PITCH LENGTH (MM)	NO. OF TEETH	PART NUMBER	AVAILABLE BELTS TYPES		PITCH LENGTH (MM)	NO. OF TEETH	PART NUMBER	AVAILABLE BELTS TYPES		PITCH LENGTH (MM)	NO. OF TEETH
20AT5/225	AT	AP	225	45	20AT5/390	AT	AP	390	78	20AT5/600	AT	AP	600	120	20AT5/780	AT	AP	780	156
20AT5/255	AT	AP	255	51	20AT5/420	AT	AP	420	84	20AT5/610	AT	AP	610	122	20AT5/825	AT	AP	825	165
20AT5/280	AT	AP	280	56	20AT5/450	AT	AP	450	90	20AT5/660	AT	AP	660	132	20AT5/860	AT	AP	860	172
20AT5/300	AT	AP	300	60	20AT5/455	AT	AP	455	91	20AT5/710	AT	AP	710	142	20AT5/975	AT	AP	975	195
20AT5/340	AT	AP	340	68	20AT5/500	AT	AP	500	100	20AT5/720	AT	AP	720	144	20AT5/1050	AT	AP	1050	210
20AT5/375	AT	AP	375	75	20AT5/545	AT	AP	545	109	20AT5/750	AT	AP	750	150	20AT5/1500	AT	AP	1500	300
25AT5/225	AT	AP	225	45	25AT5/390	AT	AP	390	78	25AT5/600	AT	AP	600	120	25AT5/780	AT	AP	780	156
25AT5/255	AT	AP	255	51	25AT5/420	AT	AP	420	84	25AT5/610	AT	AP	610	122	25AT5/825	AT	AP	825	165
25AT5/280	AT	AP	280	56	25AT5/450	AT	AP	450	90	25AT5/660	AT	AP	660	132	25AT5/860	AT	AP	860	172
25AT5/300	AT	AP	300	60	25AT5/455	AT	AP	455	91	25AT5/710	AT	AP	710	142	25AT5/975	AT	AP	975	195
25AT5/340	AT	AP	340	68	25AT5/500	AT	AP	500	100	25AT5/720	AT	AP	720	144	25AT5/1050	AT	AP	1050	210
25AT5/375	AT	AP	375	75	25AT5/545	AT	AP	545	109	25AT5/750	AT	AP	750	150	25AT5/1500	AT	AP	1500	300

AVAILABLE TIMING BELT CONSTRUCTION TYPES

- AT** AT ALPHA TORQUE, MOLDED POLYURETHANE BELTS WITH STEEL CORDS
- AP** AP ALPHA POWER, HIGH PERFORMANCE MOLDED POLYURETHANE BELTS WITH STEEL CORDS

ORDERING EXAMPLES:

- 20AT5/280** AT, 20mm Belt Width, AT5 Section Size, 280mm Pitch Length
- 25AT5/825AP** AP, 25mm Belt Width, AT5 Section Size, 825mm Pitch Length

Product Availability

Sizes listed may not be readily available. Please contact an Optibelt representative to confirm availability and/or minimum order quantities.

TOLL FREE: 800-292-6081
E-mail: info@optibelt-usa.com

Cut to Size Widths

If you need a custom width timing belt, Optibelt has you covered. Each Optibelt facility can cut custom widths. This means you don't have to wait for a manufactured factory order. If it is stock, it can ship!

Contact an Optibelt representative regarding additional sizes, stock availability and pricing.

EXPEDITED SHIPPING: Each Optibelt warehouse facility cuts timing belts to width for faster order service.



AT10 PROFILE POLYURETHANE TIMING BELTS

TIMING BELTS
POLYURETHANE

PART NUMBER	AVAILABLE BELTS TYPES	PITCH LENGTH (MM)	NO. OF TEETH
10AT10/500	AT AP	500	50
10AT10/530	AT AP	530	53
10AT10/560	AT AP	560	56
10AT10/600	AT AP	600	60
10AT10/610	AT AP	610	61
10AT10/660	AT AP	660	66
10AT10/700	AT AP	700	70
10AT10/730	AT AP	730	73
10AT10/780	AT AP	780	78

PART NUMBER	AVAILABLE BELTS TYPES	PITCH LENGTH (MM)	NO. OF TEETH
10AT10/800	AT AP	800	80
10AT10/840	AT AP	840	84
10AT10/890	AT AP	890	89
10AT10/920	AT AP	920	92
10AT10/960	AT AP	960	96
10AT10/980	AT AP	980	98
10AT10/1010	AT AP	1010	101
10AT10/1050	AT AP	1050	105
10AT10/1080	AT AP	1080	108

PART NUMBER	AVAILABLE BELTS TYPES	PITCH LENGTH (MM)	NO. OF TEETH
10AT10/1100	AT AP	1100	110
10AT10/1150	AT AP	1150	115
10AT10/1200	AT AP	1200	120
10AT10/1210	AT AP	1210	121
10AT10/1250	AT AP	1250	125
10AT10/1280	AT AP	1280	128
10AT10/1320	AT AP	1320	132
10AT10/1350	AT AP	1350	135
10AT10/1360	AT AP	1360	136

PART NUMBER	AVAILABLE BELTS TYPES	PITCH LENGTH (MM)	NO. OF TEETH
10AT10/1400	AT AP	1400	140
10AT10/1420	AT AP	1420	142
10AT10/1480	AT AP	1480	148
10AT10/1500	AT AP	1500	150
10AT10/1600	AT AP	1600	160
10AT10/1700	AT AP	1700	170
10AT10/1800	AT AP	1800	180
10AT10/1860	AT AP	1860	186
10AT10/1940	AT AP	1940	194

PART NUMBER	AVAILABLE BELTS TYPES	PITCH LENGTH (MM)	NO. OF TEETH
12AT10/500	AT AP	500	50
12AT10/530	AT AP	530	53
12AT10/560	AT AP	560	56
12AT10/600	AT AP	600	60
12AT10/610	AT AP	610	61
12AT10/660	AT AP	660	66
12AT10/700	AT AP	700	70
12AT10/730	AT AP	730	73
12AT10/780	AT AP	780	78

PART NUMBER	AVAILABLE BELTS TYPES	PITCH LENGTH (MM)	NO. OF TEETH
12AT10/800	AT AP	800	80
12AT10/840	AT AP	840	84
12AT10/890	AT AP	890	89
12AT10/920	AT AP	920	92
12AT10/960	AT AP	960	96
12AT10/980	AT AP	980	98
12AT10/1010	AT AP	1010	101
12AT10/1050	AT AP	1050	105
12AT10/1080	AT AP	1080	108

PART NUMBER	AVAILABLE BELTS TYPES	PITCH LENGTH (MM)	NO. OF TEETH
12AT10/1100	AT AP	1100	110
12AT10/1150	AT AP	1150	115
12AT10/1200	AT AP	1200	120
12AT10/1210	AT AP	1210	121
12AT10/1250	AT AP	1250	125
12AT10/1280	AT AP	1280	128
12AT10/1320	AT AP	1320	132
12AT10/1350	AT AP	1350	135
12AT10/1360	AT AP	1360	136

PART NUMBER	AVAILABLE BELTS TYPES	PITCH LENGTH (MM)	NO. OF TEETH
12AT10/1400	AT AP	1400	140
12AT10/1420	AT AP	1420	142
12AT10/1480	AT AP	1480	148
12AT10/1500	AT AP	1500	150
12AT10/1600	AT AP	1600	160
12AT10/1700	AT AP	1700	170
12AT10/1800	AT AP	1800	180
12AT10/1860	AT AP	1860	186
12AT10/1940	AT AP	1940	194

PART NUMBER	AVAILABLE BELTS TYPES	PITCH LENGTH (MM)	NO. OF TEETH
16AT10/500	AT AP	500	50
16AT10/530	AT AP	530	53
16AT10/560	AT AP	560	56
16AT10/600	AT AP	600	60
16AT10/610	AT AP	610	61
16AT10/660	AT AP	660	66
16AT10/700	AT AP	700	70
16AT10/730	AT AP	730	73
16AT10/780	AT AP	780	78

PART NUMBER	AVAILABLE BELTS TYPES	PITCH LENGTH (MM)	NO. OF TEETH
16AT10/800	AT AP	800	80
16AT10/840	AT AP	840	84
16AT10/890	AT AP	890	89
16AT10/920	AT AP	920	92
16AT10/960	AT AP	960	96
16AT10/980	AT AP	980	98
16AT10/1010	AT AP	1010	101
16AT10/1050	AT AP	1050	105
16AT10/1080	AT AP	1080	108

PART NUMBER	AVAILABLE BELTS TYPES	PITCH LENGTH (MM)	NO. OF TEETH
16AT10/1100	AT AP	1100	110
16AT10/1150	AT AP	1150	115
16AT10/1200	AT AP	1200	120
16AT10/1210	AT AP	1210	121
16AT10/1250	AT AP	1250	125
16AT10/1280	AT AP	1280	128
16AT10/1320	AT AP	1320	132
16AT10/1350	AT AP	1350	135
16AT10/1360	AT AP	1360	136

PART NUMBER	AVAILABLE BELTS TYPES	PITCH LENGTH (MM)	NO. OF TEETH
16AT10/1400	AT AP	1400	140
16AT10/1420	AT AP	1420	142
16AT10/1480	AT AP	1480	148
16AT10/1500	AT AP	1500	150
16AT10/1600	AT AP	1600	160
16AT10/1700	AT AP	1700	170
16AT10/1800	AT AP	1800	180
16AT10/1860	AT AP	1860	186
16AT10/1940	AT AP	1940	194

PART NUMBER	AVAILABLE BELTS TYPES	PITCH LENGTH (MM)	NO. OF TEETH
20AT10/500	AT AP	500	50
20AT10/530	AT AP	530	53
20AT10/560	AT AP	560	56
20AT10/600	AT AP	600	60
20AT10/610	AT AP	610	61
20AT10/660	AT AP	660	66
20AT10/700	AT AP	700	70
20AT10/730	AT AP	730	73
20AT10/780	AT AP	780	78

PART NUMBER	AVAILABLE BELTS TYPES	PITCH LENGTH (MM)	NO. OF TEETH
20AT10/800	AT AP	800	80
20AT10/840	AT AP	840	84
20AT10/890	AT AP	890	89
20AT10/920	AT AP	920	92
20AT10/960	AT AP	960	96
20AT10/980	AT AP	980	98
20AT10/1010	AT AP	1010	101
20AT10/1050	AT AP	1050	105
20AT10/1080	AT AP	1080	108

PART NUMBER	AVAILABLE BELTS TYPES	PITCH LENGTH (MM)	NO. OF TEETH
20AT10/1100	AT AP	1100	110
20AT10/1150	AT AP	1150	115
20AT10/1200	AT AP	1200	120
20AT10/1210	AT AP	1210	121
20AT10/1250	AT AP	1250	125
20AT10/1280	AT AP	1280	128
20AT10/1320	AT AP	1320	132
20AT10/1350	AT AP	1350	135
20AT10/1360	AT AP	1360	136

PART NUMBER	AVAILABLE BELTS TYPES	PITCH LENGTH (MM)	NO. OF TEETH
20AT10/1400	AT AP	1400	140
20AT10/1420	AT AP	1420	142
20AT10/1480	AT AP	1480	148
20AT10/1500	AT AP	1500	150
20AT10/1600	AT AP	1600	160
20AT10/1700	AT AP	1700	170
20AT10/1800	AT AP	1800	180
20AT10/1860	AT AP	1860	186
20AT10/1940	AT AP	1940	194

Contact an Optibelt representative regarding additional sizes, stock availability and pricing.

EXPEDITED SHIPPING: Each Optibelt warehouse facility cuts timing belts to width for faster order service.

Cut to Size Widths

If you need a custom width timing belt, Optibelt has you covered. Each Optibelt facility can cut custom widths. This means you don't have to wait for a manufactured factory order. If it is stock, it can ship!

Product Availability

Sizes listed may not be readily available. Please contact an Optibelt representative to confirm availability and/or minimum order quantities.

TOLL FREE: 800-292-6081
E-mail: info@optibelt-usa.com



TIMING BELTS, POLYURETHANE

AT10 PROFILES

STEEL TENSION CORD

TIMING BELTS
POLYURETHANE

AT10 PROFILE POLYURETHANE TIMING BELTS

PART NUMBER	AVAILABLE BELTS TYPES	PITCH LENGTH (MM)	NO. OF TEETH	PART NUMBER	AVAILABLE BELTS TYPES	PITCH LENGTH (MM)	NO. OF TEETH	PART NUMBER	AVAILABLE BELTS TYPES	PITCH LENGTH (MM)	NO. OF TEETH	PART NUMBER	AVAILABLE BELTS TYPES	PITCH LENGTH (MM)	NO. OF TEETH
25AT10/500	AT AP	500	50	25AT10/800	AT AP	800	80	25AT10/1100	AT AP	1100	110	25AT10/1400	AT AP	1400	140
25AT10/530	AT AP	530	53	25AT10/840	AT AP	840	84	25AT10/1150	AT AP	1150	115	25AT10/1420	AT AP	1420	142
25AT10/560	AT AP	560	56	25AT10/890	AT AP	890	89	25AT10/1200	AT AP	1200	120	25AT10/1480	AT AP	1480	148
25AT10/600	AT AP	600	60	25AT10/920	AT AP	920	92	25AT10/1210	AT AP	1210	121	25AT10/1500	AT AP	1500	150
25AT10/610	AT AP	610	61	25AT10/960	AT AP	960	96	25AT10/1250	AT AP	1250	125	25AT10/1600	AT AP	1600	160
25AT10/660	AT AP	660	66	25AT10/980	AT AP	980	98	25AT10/1280	AT AP	1280	128	25AT10/1700	AT AP	1700	170
25AT10/700	AT AP	700	70	25AT10/1010	AT AP	1010	101	25AT10/1320	AT AP	1320	132	25AT10/1800	AT AP	1800	180
25AT10/730	AT AP	730	73	25AT10/1050	AT AP	1050	105	25AT10/1350	AT AP	1350	135	25AT10/1860	AT AP	1860	186
25AT10/780	AT AP	780	78	25AT10/1080	AT AP	1080	108	25AT10/1360	AT AP	1360	136	25AT10/1940	AT AP	1940	194

PART NUMBER	AVAILABLE BELTS TYPES	PITCH LENGTH (MM)	NO. OF TEETH	PART NUMBER	AVAILABLE BELTS TYPES	PITCH LENGTH (MM)	NO. OF TEETH	PART NUMBER	AVAILABLE BELTS TYPES	PITCH LENGTH (MM)	NO. OF TEETH	PART NUMBER	AVAILABLE BELTS TYPES	PITCH LENGTH (MM)	NO. OF TEETH
32AT10/500	AT AP	500	50	32AT10/800	AT AP	800	80	32AT10/1100	AT AP	1100	110	32AT10/1400	AT AP	1400	140
32AT10/530	AT AP	530	53	32AT10/840	AT AP	840	84	32AT10/1150	AT AP	1150	115	32AT10/1420	AT AP	1420	142
32AT10/560	AT AP	560	56	32AT10/890	AT AP	890	89	32AT10/1200	AT AP	1200	120	32AT10/1480	AT AP	1480	148
32AT10/600	AT AP	600	60	32AT10/920	AT AP	920	92	32AT10/1210	AT AP	1210	121	32AT10/1500	AT AP	1500	150
32AT10/610	AT AP	610	61	32AT10/960	AT AP	960	96	32AT10/1250	AT AP	1250	125	32AT10/1600	AT AP	1600	160
32AT10/660	AT AP	660	66	32AT10/980	AT AP	980	98	32AT10/1280	AT AP	1280	128	32AT10/1700	AT AP	1700	170
32AT10/700	AT AP	700	70	32AT10/1010	AT AP	1010	101	32AT10/1320	AT AP	1320	132	32AT10/1800	AT AP	1800	180
32AT10/730	AT AP	730	73	32AT10/1050	AT AP	1050	105	32AT10/1350	AT AP	1350	135	32AT10/1860	AT AP	1860	186
32AT10/780	AT AP	780	78	32AT10/1080	AT AP	1080	108	32AT10/1360	AT AP	1360	136	32AT10/1940	AT AP	1940	194

PART NUMBER	AVAILABLE BELTS TYPES	PITCH LENGTH (MM)	NO. OF TEETH	PART NUMBER	AVAILABLE BELTS TYPES	PITCH LENGTH (MM)	NO. OF TEETH	PART NUMBER	AVAILABLE BELTS TYPES	PITCH LENGTH (MM)	NO. OF TEETH	PART NUMBER	AVAILABLE BELTS TYPES	PITCH LENGTH (MM)	NO. OF TEETH
50AT10/500	AT AP	500	50	50AT10/800	AT AP	800	80	50AT10/1100	AT AP	1100	110	50AT10/1400	AT AP	1400	140
50AT10/530	AT AP	530	53	50AT10/840	AT AP	840	84	50AT10/1150	AT AP	1150	115	50AT10/1420	AT AP	1420	142
50AT10/560	AT AP	560	56	50AT10/890	AT AP	890	89	50AT10/1200	AT AP	1200	120	50AT10/1480	AT AP	1480	148
50AT10/600	AT AP	600	60	50AT10/920	AT AP	920	92	50AT10/1210	AT AP	1210	121	50AT10/1500	AT AP	1500	150
50AT10/610	AT AP	610	61	50AT10/960	AT AP	960	96	50AT10/1250	AT AP	1250	125	50AT10/1600	AT AP	1600	160
50AT10/660	AT AP	660	66	50AT10/980	AT AP	980	98	50AT10/1280	AT AP	1280	128	50AT10/1700	AT AP	1700	170
50AT10/700	AT AP	700	70	50AT10/1010	AT AP	1010	101	50AT10/1320	AT AP	1320	132	50AT10/1800	AT AP	1800	180
50AT10/730	AT AP	730	73	50AT10/1050	AT AP	1050	105	50AT10/1350	AT AP	1350	135	50AT10/1860	AT AP	1860	186
50AT10/780	AT AP	780	78	50AT10/1080	AT AP	1080	108	50AT10/1360	AT AP	1360	136	50AT10/1940	AT AP	1940	194

AVAILABLE TIMING BELT CONSTRUCTION TYPES

- AT** AT ALPHA TORQUE, MOLDED POLYURETHANE BELTS WITH STEEL CORDS
- AP** ALPHA POWER, HIGH PERFORMANCE MOLDED POLYURETHANE BELTS WITH STEEL CORDS

ORDERING EXAMPLES:

- 32AT10/500** AT, 32mm Belt Width, AT10 Section Size, 500mm Pitch Length
- 50AT10/1500AP** AP, 50mm Belt Width, AT10 Section Size, 1500mm Pitch Length

Product Availability

Sizes listed may not be readily available. Please contact an Optibelt representative to confirm availability and/or minimum order quantities.

TOLL FREE: 800-292-6081
E-mail: info@optibelt-usa.com

Cut to Size Widths

If you need a custom width timing belt, Optibelt has you covered. Each Optibelt facility can cut custom widths. This means you don't have to wait for a manufactured factory order. If it is stock, it can ship!

Contact an Optibelt representative regarding additional sizes, stock availability and pricing.

EXPEDITED SHIPPING: Each Optibelt warehouse facility cuts timing belts to width for faster order service.



DT5 PROFILE POLYURETHANE TIMING BELTS

PART NUMBER	AVAILABLE BELTS TYPES	PITCH LENGTH (MM)	NO. OF TEETH
6DT5/300	AT AP	300	60
6DT5/400	AT AP	400	80
6DT5/410	AT AP	410	82
6DT5/450	AT AP	450	90
6DT5/460	AT AP	460	92

PART NUMBER	AVAILABLE BELTS TYPES	PITCH LENGTH (MM)	NO. OF TEETH
6DT5/480	AT AP	480	96
6DT5/500	AT AP	500	100
6DT5/515	AT AP	515	103
6DT5/550	AT AP	550	110
6DT5/590	AT AP	590	118

PART NUMBER	AVAILABLE BELTS TYPES	PITCH LENGTH (MM)	NO. OF TEETH
6DT5/600	AT AP	600	120
6DT5/620	AT AP	620	124
6DT5/650	AT AP	650	130
6DT5/700	AT AP	700	140
6DT5/750	AT AP	750	150

PART NUMBER	AVAILABLE BELTS TYPES	PITCH LENGTH (MM)	NO. OF TEETH
6DT5/815	AT AP	815	163
6DT5/900	AT AP	900	180
6DT5/940	AT AP	940	188
6DT5/1100	AT AP	1100	220

PART NUMBER	AVAILABLE BELTS TYPES	PITCH LENGTH (MM)	NO. OF TEETH
8DT5/300	AT AP	300	60
8DT5/400	AT AP	400	80
8DT5/410	AT AP	410	82
8DT5/450	AT AP	450	90
8DT5/460	AT AP	460	92

PART NUMBER	AVAILABLE BELTS TYPES	PITCH LENGTH (MM)	NO. OF TEETH
8DT5/480	AT AP	480	96
8DT5/500	AT AP	500	100
8DT5/515	AT AP	515	103
8DT5/550	AT AP	550	110
8DT5/590	AT AP	590	118

PART NUMBER	AVAILABLE BELTS TYPES	PITCH LENGTH (MM)	NO. OF TEETH
8DT5/600	AT AP	600	120
8DT5/620	AT AP	620	124
8DT5/650	AT AP	650	130
8DT5/700	AT AP	700	140
8DT5/750	AT AP	750	150

PART NUMBER	AVAILABLE BELTS TYPES	PITCH LENGTH (MM)	NO. OF TEETH
8DT5/815	AT AP	815	163
8DT5/900	AT AP	900	180
8DT5/940	AT AP	940	188
8DT5/1100	AT AP	1100	220

PART NUMBER	AVAILABLE BELTS TYPES	PITCH LENGTH (MM)	NO. OF TEETH
10DT5/300	AT AP	300	60
10DT5/400	AT AP	400	80
10DT5/410	AT AP	410	82
10DT5/450	AT AP	450	90
10DT5/460	AT AP	460	92

PART NUMBER	AVAILABLE BELTS TYPES	PITCH LENGTH (MM)	NO. OF TEETH
10DT5/480	AT AP	480	96
10DT5/500	AT AP	500	100
10DT5/515	AT AP	515	103
10DT5/550	AT AP	550	110
10DT5/590	AT AP	590	118

PART NUMBER	AVAILABLE BELTS TYPES	PITCH LENGTH (MM)	NO. OF TEETH
10DT5/600	AT AP	600	120
10DT5/620	AT AP	620	124
10DT5/650	AT AP	650	130
10DT5/700	AT AP	700	140
10DT5/750	AT AP	750	150

PART NUMBER	AVAILABLE BELTS TYPES	PITCH LENGTH (MM)	NO. OF TEETH
10DT5/815	AT AP	815	163
10DT5/900	AT AP	900	180
10DT5/940	AT AP	940	188
10DT5/1100	AT AP	1100	220

PART NUMBER	AVAILABLE BELTS TYPES	PITCH LENGTH (MM)	NO. OF TEETH
12DT5/300	AT AP	300	60
12DT5/400	AT AP	400	80
12DT5/410	AT AP	410	82
12DT5/450	AT AP	450	90
12DT5/460	AT AP	460	92

PART NUMBER	AVAILABLE BELTS TYPES	PITCH LENGTH (MM)	NO. OF TEETH
12DT5/480	AT AP	480	96
12DT5/500	AT AP	500	100
12DT5/515	AT AP	515	103
12DT5/550	AT AP	550	110
12DT5/590	AT AP	590	118

PART NUMBER	AVAILABLE BELTS TYPES	PITCH LENGTH (MM)	NO. OF TEETH
12DT5/600	AT AP	600	120
12DT5/620	AT AP	620	124
12DT5/650	AT AP	650	130
12DT5/700	AT AP	700	140
12DT5/750	AT AP	750	150

PART NUMBER	AVAILABLE BELTS TYPES	PITCH LENGTH (MM)	NO. OF TEETH
12DT5/815	AT AP	815	163
12DT5/900	AT AP	900	180
12DT5/940	AT AP	940	188
12DT5/1100	AT AP	1100	220

PART NUMBER	AVAILABLE BELTS TYPES	PITCH LENGTH (MM)	NO. OF TEETH
16DT5/300	AT AP	300	60
16DT5/400	AT AP	400	80
16DT5/410	AT AP	410	82
16DT5/450	AT AP	450	90
16DT5/460	AT AP	460	92

PART NUMBER	AVAILABLE BELTS TYPES	PITCH LENGTH (MM)	NO. OF TEETH
16DT5/480	AT AP	480	96
16DT5/500	AT AP	500	100
16DT5/515	AT AP	515	103
16DT5/550	AT AP	550	110
16DT5/590	AT AP	590	118

PART NUMBER	AVAILABLE BELTS TYPES	PITCH LENGTH (MM)	NO. OF TEETH
16DT5/600	AT AP	600	120
16DT5/620	AT AP	620	124
16DT5/650	AT AP	650	130
16DT5/700	AT AP	700	140
16DT5/750	AT AP	750	150

PART NUMBER	AVAILABLE BELTS TYPES	PITCH LENGTH (MM)	NO. OF TEETH
16DT5/815	AT AP	815	163
16DT5/900	AT AP	900	180
16DT5/940	AT AP	940	188
16DT5/1100	AT AP	1100	220

AVAILABLE TIMING BELT CONSTRUCTION TYPES

- AT** AT ALPHA TORQUE, MOLDED POLYURETHANE BELTS WITH STEEL CORDS
- AP** AP ALPHA POWER, HIGH PERFORMANCE MOLDED POLYURETHANE BELTS WITH STEEL CORDS

ORDERING EXAMPLES:

- 8DT5/550** AT, 8mm Belt Width, DT5 Section Size, 550mm Pitch Length
- 12DT5/815AP** AP, 12mm Belt Width, DT5 Section Size, 815mm Pitch Length

Contact an Optibelt representative regarding additional sizes, stock availability and pricing.

EXPEDITED SHIPPING: Each Optibelt warehouse facility cuts timing belts to width for faster order service.

Cut to Size Widths
If you need a custom width timing belt, Optibelt has you covered. Each Optibelt facility can cut custom widths. This means you don't have to wait for a manufactured factory order. If it is stock, it can ship!

Product Availability
Sizes listed may not be readily available. Please contact an Optibelt representative to confirm availability and/or minimum order quantities.

TOLL FREE: 800-292-6081
E-mail: info@optibelt-usa.com



TIMING BELTS, POLYURETHANE

DT5 PROFILES

STEEL TENSION CORD

TIMING BELTS
POLYURETHANE

DT5 PROFILE POLYURETHANE TIMING BELTS

PART NUMBER	AVAILABLE BELTS TYPES		PITCH LENGTH (MM)	NO. OF TEETH	PART NUMBER	AVAILABLE BELTS TYPES		PITCH LENGTH (MM)	NO. OF TEETH	PART NUMBER	AVAILABLE BELTS TYPES		PITCH LENGTH (MM)	NO. OF TEETH	PART NUMBER	AVAILABLE BELTS TYPES		PITCH LENGTH (MM)	NO. OF TEETH
20DT5/300	AT	AP	300	60	20DT5/480	AT	AP	480	96	20DT5/600	AT	AP	600	120	20DT5/815	AT	AP	815	163
20DT5/400	AT	AP	400	80	20DT5/500	AT	AP	500	100	20DT5/620	AT	AP	620	124	20DT5/900	AT	AP	900	180
20DT5/410	AT	AP	410	82	20DT5/515	AT	AP	515	103	20DT5/650	AT	AP	650	130	20DT5/940	AT	AP	940	188
20DT5/450	AT	AP	450	90	20DT5/550	AT	AP	550	110	20DT5/700	AT	AP	700	140	20DT5/1100	AT	AP	1100	220
20DT5/460	AT	AP	460	92	20DT5/590	AT	AP	590	118	20DT5/750	AT	AP	750	150					
25DT5/300	AT	AP	300	60	25DT5/480	AT	AP	480	96	25DT5/600	AT	AP	600	120	25DT5/815	AT	AP	815	163
25DT5/400	AT	AP	400	80	25DT5/500	AT	AP	500	100	25DT5/620	AT	AP	620	124	25DT5/900	AT	AP	900	180
25DT5/410	AT	AP	410	82	25DT5/515	AT	AP	515	103	25DT5/650	AT	AP	650	130	25DT5/940	AT	AP	940	188
25DT5/450	AT	AP	450	90	25DT5/550	AT	AP	550	110	25DT5/700	AT	AP	700	140	25DT5/1100	AT	AP	1100	220
25DT5/460	AT	AP	460	92	25DT5/590	AT	AP	590	118	25DT5/750	AT	AP	750	150					
32DT5/300	AT	AP	300	60	32DT5/480	AT	AP	480	96	32DT5/600	AT	AP	600	120	32DT5/815	AT	AP	815	163
32DT5/400	AT	AP	400	80	32DT5/500	AT	AP	500	100	32DT5/620	AT	AP	620	124	32DT5/900	AT	AP	900	180
32DT5/410	AT	AP	410	82	32DT5/515	AT	AP	515	103	32DT5/650	AT	AP	650	130	32DT5/940	AT	AP	940	188
32DT5/450	AT	AP	450	90	32DT5/550	AT	AP	550	110	32DT5/700	AT	AP	700	140	32DT5/1100	AT	AP	1100	220
32DT5/460	AT	AP	460	92	32DT5/590	AT	AP	590	118	32DT5/750	AT	AP	750	150					

AVAILABLE TIMING BELT CONSTRUCTION TYPES

- AT** ALPHA TORQUE, MOLDED POLYURETHANE BELTS WITH STEEL CORDS
- AP** ALPHA POWER, HIGH PERFORMANCE MOLDED POLYURETHANE BELTS WITH STEEL CORDS

ORDERING EXAMPLES:

- 20DT5/410** AT, 20mm Belt Width, DT5 Section Size, 410mm Pitch Length
- 32DT5/620AP** AP, 32mm Belt Width, DT5 Section Size, 620mm Pitch Length

<p>Product Availability Sizes listed may not be readily available. Please contact an Optibelt representative to confirm availability and/or minimum order quantities. TOLL FREE: 800-292-6081 E-mail: info@optibelt-usa.com</p>	<p>Cut to Size Widths If you need a custom width timing belt, Optibelt has you covered. Each Optibelt facility can cut custom widths. This means you don't have to wait for a manufactured factory order. If it is stock, it can ship!</p>	<p>Contact an Optibelt representative regarding additional sizes, stock availability and pricing. EXPEDITED SHIPPING: Each Optibelt warehouse facility cuts timing belts to width for faster order service.</p>
---	--	---



DT10 PROFILE POLYURETHANE TIMING BELTS

PART NUMBER	AVAILABLE BELTS TYPES		PITCH LENGTH (MM)	NO. OF TEETH	PART NUMBER	AVAILABLE BELTS TYPES		PITCH LENGTH (MM)	NO. OF TEETH	PART NUMBER	AVAILABLE BELTS TYPES		PITCH LENGTH (MM)	NO. OF TEETH	PART NUMBER	AVAILABLE BELTS TYPES		PITCH LENGTH (MM)	NO. OF TEETH
10DT10/600	AT	AP	600	60	10DT10/800	AT	AP	800	80	10DT10/1200	AT	AP	1200	120	10DT10/1500	AT	AP	1500	150
10DT10/630	AT	AP	630	63	10DT10/840	AT	AP	840	84	10DT10/1210	AT	AP	1210	121	10DT10/1600	AT	AP	1600	160
10DT10/660	AT	AP	660	66	10DT10/900	AT	AP	900	90	10DT10/1300	AT	AP	1300	130	10DT10/1610	AT	AP	1610	161
10DT10/700	AT	AP	700	70	10DT10/980	AT	AP	980	98	10DT10/1320	AT	AP	1320	132	10DT10/1700	AT	AP	1700	170
10DT10/750	AT	AP	750	75	10DT10/1000	AT	AP	1000	100	10DT10/1420	AT	AP	1420	142	10DT10/1880	AT	AP	1880	188
12DT10/600	AT	AP	600	60	12DT10/800	AT	AP	800	80	12DT10/1200	AT	AP	1200	120	12DT10/1500	AT	AP	1500	150
12DT10/630	AT	AP	630	63	12DT10/840	AT	AP	840	84	12DT10/1210	AT	AP	1210	121	12DT10/1600	AT	AP	1600	160
12DT10/660	AT	AP	660	66	12DT10/900	AT	AP	900	90	12DT10/1300	AT	AP	1300	130	12DT10/1610	AT	AP	1610	161
12DT10/700	AT	AP	700	70	12DT10/980	AT	AP	980	98	12DT10/1320	AT	AP	1320	132	12DT10/1700	AT	AP	1700	170
12DT10/750	AT	AP	750	75	12DT10/1000	AT	AP	1000	100	12DT10/1420	AT	AP	1420	142	12DT10/1880	AT	AP	1880	188
16DT10/600	AT	AP	600	60	16DT10/800	AT	AP	800	80	16DT10/1200	AT	AP	1200	120	16DT10/1500	AT	AP	1500	150
16DT10/630	AT	AP	630	63	16DT10/840	AT	AP	840	84	16DT10/1210	AT	AP	1210	121	16DT10/1600	AT	AP	1600	160
16DT10/660	AT	AP	660	66	16DT10/900	AT	AP	900	90	16DT10/1300	AT	AP	1300	130	16DT10/1610	AT	AP	1610	161
16DT10/700	AT	AP	700	70	16DT10/980	AT	AP	980	98	16DT10/1320	AT	AP	1320	132	16DT10/1700	AT	AP	1700	170
16DT10/750	AT	AP	750	75	16DT10/1000	AT	AP	1000	100	16DT10/1420	AT	AP	1420	142	16DT10/1880	AT	AP	1880	188
20DT10/600	AT	AP	600	60	20DT10/800	AT	AP	800	80	20DT10/1200	AT	AP	1200	120	20DT10/1500	AT	AP	1500	150
20DT10/630	AT	AP	630	63	20DT10/840	AT	AP	840	84	20DT10/1210	AT	AP	1210	121	20DT10/1600	AT	AP	1600	160
20DT10/660	AT	AP	660	66	20DT10/900	AT	AP	900	90	20DT10/1300	AT	AP	1300	130	20DT10/1610	AT	AP	1610	161
20DT10/700	AT	AP	700	70	20DT10/980	AT	AP	980	98	20DT10/1320	AT	AP	1320	132	20DT10/1700	AT	AP	1700	170
20DT10/750	AT	AP	750	75	20DT10/1000	AT	AP	1000	100	20DT10/1420	AT	AP	1420	142	20DT10/1880	AT	AP	1880	188
25DT10/600	AT	AP	600	60	25DT10/800	AT	AP	800	80	25DT10/1200	AT	AP	1200	120	25DT10/1500	AT	AP	1500	150
25DT10/630	AT	AP	630	63	25DT10/840	AT	AP	840	84	25DT10/1210	AT	AP	1210	121	25DT10/1600	AT	AP	1600	160
25DT10/660	AT	AP	660	66	25DT10/900	AT	AP	900	90	25DT10/1300	AT	AP	1300	130	25DT10/1610	AT	AP	1610	161
25DT10/700	AT	AP	700	70	25DT10/980	AT	AP	980	98	25DT10/1320	AT	AP	1320	132	25DT10/1700	AT	AP	1700	170
25DT10/750	AT	AP	750	75	25DT10/1000	AT	AP	1000	100	25DT10/1420	AT	AP	1420	142	25DT10/1880	AT	AP	1880	188

AVAILABLE TIMING BELT CONSTRUCTION TYPES

- AT** AT ALPHA TORQUE, MOLDED POLYURETHANE BELTS WITH STEEL CORDS
- AP** AP ALPHA POWER, HIGH PERFORMANCE MOLDED POLYURETHANE BELTS WITH STEEL CORDS

ORDERING EXAMPLES:

- 12DT10/900** AT, 12mm Belt Width, DT10 Section Size, 900mm Pitch Length
- 20DT10/1420AP** AP, 20mm Belt Width, DT10 Section Size, 1420mm Pitch Length

Contact an Optibelt representative regarding additional sizes, stock availability and pricing.

EXPEDITED SHIPPING: Each Optibelt warehouse facility cuts timing belts to width for faster order service.

Cut to Size Widths
If you need a custom width timing belt, Optibelt has you covered. Each Optibelt facility can cut custom widths. This means you don't have to wait for a manufactured factory order. If it is stock, it can ship!

Product Availability
Sizes listed may not be readily available. Please contact an Optibelt representative to confirm availability and/or minimum order quantities.

TOLL FREE: 800-292-6081
E-mail: info@optibelt-usa.com



TIMING BELTS, POLYURETHANE

DT10 PROFILES

STEEL TENSION CORD

TIMING BELTS
POLYURETHANE

DT10 PROFILE POLYURETHANE TIMING BELTS

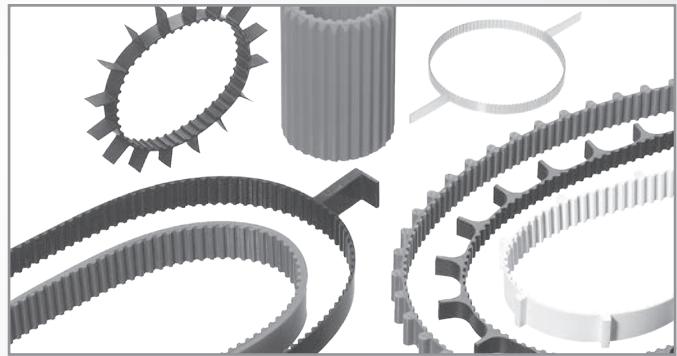
PART NUMBER	AVAILABLE BELTS TYPES		PITCH LENGTH (MM)	NO. OF TEETH	PART NUMBER	AVAILABLE BELTS TYPES		PITCH LENGTH (MM)	NO. OF TEETH	PART NUMBER	AVAILABLE BELTS TYPES		PITCH LENGTH (MM)	NO. OF TEETH	PART NUMBER	AVAILABLE BELTS TYPES		PITCH LENGTH (MM)	NO. OF TEETH
32DT10/600	AT	AP	600	60	32DT10/800	AT	AP	800	80	32DT10/1200	AT	AP	1200	120	32DT10/1500	AT	AP	1500	150
32DT10/630	AT	AP	630	63	32DT10/840	AT	AP	840	84	32DT10/1210	AT	AP	1210	121	32DT10/1600	AT	AP	1600	160
32DT10/660	AT	AP	660	66	32DT10/900	AT	AP	900	90	32DT10/1300	AT	AP	1300	130	32DT10/1610	AT	AP	1610	161
32DT10/700	AT	AP	700	70	32DT10/980	AT	AP	980	98	32DT10/1320	AT	AP	1320	132	32DT10/1700	AT	AP	1700	170
32DT10/750	AT	AP	750	75	32DT10/1000	AT	AP	1000	100	32DT10/1420	AT	AP	1420	142	32DT10/1880	AT	AP	1880	188
50DT10/600	AT	AP	600	60	50DT10/800	AT	AP	800	80	50DT10/1200	AT	AP	1200	120	50DT10/1500	AT	AP	1500	150
50DT10/630	AT	AP	630	63	50DT10/840	AT	AP	840	84	50DT10/1210	AT	AP	1210	121	50DT10/1600	AT	AP	1600	160
50DT10/660	AT	AP	660	66	50DT10/900	AT	AP	900	90	50DT10/1300	AT	AP	1300	130	50DT10/1610	AT	AP	1610	161
50DT10/700	AT	AP	700	70	50DT10/980	AT	AP	980	98	50DT10/1320	AT	AP	1320	132	50DT10/1700	AT	AP	1700	170
50DT10/750	AT	AP	750	75	50DT10/1000	AT	AP	1000	100	50DT10/1420	AT	AP	1420	142	50DT10/1880	AT	AP	1880	188

ALPHA SRP CONVEYOR DRIVES

Custom conveyor drives for specialized manufacturing is a need for more and more businesses. Optibelt can manufacture a full range of custom products to customers designed specifications.

ALPHA SRP are custom polyurethane conveyor timing belts that are manufactured from ALPHA POWER & ALPHA TORQUE product constructions.

Minimum order quantities apply. For more details contact an Optibelt representative.



AVAILABLE TIMING BELT CONSTRUCTION TYPES

- AT** ALPHA TORQUE, MOLDED POLYURETHANE BELTS WITH STEEL CORDS
- AP** ALPHA POWER, HIGH PERFORMANCE MOLDED POLYURETHANE BELTS WITH STEEL CORDS

ORDERING EXAMPLES:

- 32DT10/700** AT, 32mm Belt Width, DT10 Section Size, 700mm Pitch Length
- 50DT10/1880AP** AP, 50mm Belt Width, DT10 Section Size, 1880mm Pitch Length

Product Availability

Sizes listed may not be readily available. Please contact an Optibelt representative to confirm availability and/or minimum order quantities.

TOLL FREE: 800-292-6081
E-mail: info@optibelt-usa.com

Cut to Size Widths

If you need a custom width timing belt, Optibelt has you covered. Each Optibelt facility can cut custom widths. This means you don't have to wait for a manufactured factory order. If it is stock, it can ship!

Contact an Optibelt representative regarding additional sizes, stock availability and pricing.

EXPEDITED SHIPPING: Each Optibelt warehouse facility cuts timing belts to width for faster order service.



XL PROFILE POLYURETHANE TIMING BELTS

TIMING BELTS
POLYURETHANE

PART NUMBER	AVAILABLE BELT TYPES	PITCH LENGTH (IN)	NO. OF TEETH
K60XL025	AT	6	30
K70XL025	AT	7	35
K76XL025	AT	7.6	38
K80XL025	AT	8	40
K84XL025	AT	8.4	42
K90XL025	AT	9	45
K94XL025	AT	9.4	47
K96XL025	AT	9.6	48
K100XL025	AT	10	50
K102XL025	AT	10.2	51
K104XL025	AT	10.4	52
K106XL025	AT	10.6	53
K110XL025	AT	11	55
K114XL025	AT	11.4	57
K116XL025	AT	11.6	58

PART NUMBER	AVAILABLE BELT TYPES	PITCH LENGTH (IN)	NO. OF TEETH
K120XL025	AT	12	60
K124XL025	AT	12.4	62
K126XL025	AT	12.6	63
K128XL025	AT	12.8	64
K130XL025	AT	13	65
K136XL025	AT	13.6	68
K140XL025	AT	14	70
K150XL025	AT	15	75
K152XL025	AT	15.2	76
K154XL025	AT	15.4	77
K160XL025	AT	16	80
K166XL025	AT	16.6	83
K168XL025	AT	16.8	84
K170XL025	AT	17	85
K180XL025	AT	18	90

PART NUMBER	AVAILABLE BELT TYPES	PITCH LENGTH (IN)	NO. OF TEETH
K186XL025	AT	18.6	93
K190XL025	AT	19	95
K200XL025	AT	20	100
K210XL025	AT	21	105
K212XL025	AT	21.2	106
K220XL025	AT	22	110
K230XL025	AT	23	115
K240XL025	AT	24	120
K250XL025	AT	25	125
K254XL025	AT	25.4	127
K260XL025	AT	26	130
K270XL025	AT	27	135
K290XL025	AT	29	145
K300XL025	AT	30	150

PART NUMBER	AVAILABLE BELT TYPES	PITCH LENGTH (IN)	NO. OF TEETH
K320XL025	AT	32	160
K330XL025	AT	33	165
K360XL025	AT	36	180
K376XL025	AT	37.6	188
K384XL025	AT	38.4	192
K390XL025	AT	39	195
K414XL025	AT	41.4	207
K460XL025	AT	46	230
K480XL025	AT	48	240
K512XL025	AT	51.2	256
K550XL025	AT	55	275
K564XL025	AT	56.4	282
K630XL025	AT	63	315
K670XL025	AT	67	335

PART NUMBER	AVAILABLE BELT TYPES	PITCH LENGTH (IN)	NO. OF TEETH
K60XL031	AT	6	30
K70XL031	AT	7	35
K76XL031	AT	7.6	38
K80XL031	AT	8	40
K84XL031	AT	8.4	42
K90XL031	AT	9	45
K94XL031	AT	9.4	47
K96XL031	AT	9.6	48
K100XL031	AT	10	50
K102XL031	AT	10.2	51
K104XL031	AT	10.4	52
K106XL031	AT	10.6	53
K110XL031	AT	11	55
K114XL031	AT	11.4	57
K116XL031	AT	11.6	58

PART NUMBER	AVAILABLE BELT TYPES	PITCH LENGTH (IN)	NO. OF TEETH
K120XL031	AT	12	60
K124XL031	AT	12.4	62
K126XL031	AT	12.6	63
K128XL031	AT	12.8	64
K130XL031	AT	13	65
K136XL031	AT	13.6	68
K140XL031	AT	14	70
K150XL031	AT	15	75
K152XL031	AT	15.2	76
K154XL031	AT	15.4	77
K160XL031	AT	16	80
K166XL031	AT	16.6	83
K168XL031	AT	16.8	84
K170XL031	AT	17	85
K180XL031	AT	18	90

PART NUMBER	AVAILABLE BELT TYPES	PITCH LENGTH (IN)	NO. OF TEETH
K186XL031	AT	18.6	93
K190XL031	AT	19	95
K200XL031	AT	20	100
K210XL031	AT	21	105
K212XL031	AT	21.2	106
K220XL031	AT	22	110
K230XL031	AT	23	115
K240XL031	AT	24	120
K250XL031	AT	25	125
K254XL031	AT	25.4	127
K260XL031	AT	26	130
K270XL031	AT	27	135
K290XL031	AT	29	145
K300XL031	AT	30	150

PART NUMBER	AVAILABLE BELT TYPES	PITCH LENGTH (IN)	NO. OF TEETH
K320XL031	AT	32	160
K330XL031	AT	33	165
K360XL031	AT	36	180
K376XL031	AT	37.6	188
K384XL031	AT	38.4	192
K390XL031	AT	39	195
K414XL031	AT	41.4	207
K460XL031	AT	46	230
K480XL031	AT	48	240
K512XL031	AT	51.2	256
K550XL031	AT	55	275
K564XL031	AT	56.4	282
K630XL031	AT	63	315
K670XL031	AT	67	335

AVAILABLE TIMING BELT CONSTRUCTION TYPES

AT AT ALPHA TORQUE, MOLDED POLYURETHANE BELTS WITH STEEL CORDS

ORDERING EXAMPLES:

K120XL025 AT, 12.0 in. Section Length, XL Section Size, 0.25 in. Belt Width
K512XL031 AT, 51.2 in. Section Length, XL Section Size, 0.31 in. Belt Width

<p>Contact an Optibelt representative regarding additional sizes, stock availability and pricing.</p> <p>EXPEDITED SHIPPING: Each Optibelt warehouse facility cuts timing belts to width for faster order service.</p>	<p>Cut to Size Widths If you need a custom width timing belt, Optibelt has you covered. Each Optibelt facility can cut custom widths. This means you don't have to wait for a manufactured factory order. If it is stock, it can ship!</p>	<p>Product Availability Sizes listed may not be readily available. Please contact an Optibelt representative to confirm availability and/or minimum order quantities.</p> <p>TOLL FREE: 800-292-6081 E-mail: info@optibelt-usa.com</p>
---	--	---



TIMING BELTS, POLYURETHANE

XL PROFILES

STEEL TENSION CORD

TIMING BELTS
POLYURETHANE

XL PROFILE POLYURETHANE TIMING BELTS

PART NUMBER	AVAILABLE BELT TYPES	PITCH LENGTH (IN)	NO. OF TEETH	PART NUMBER	AVAILABLE BELT TYPES	PITCH LENGTH (IN)	NO. OF TEETH	PART NUMBER	AVAILABLE BELT TYPES	PITCH LENGTH (IN)	NO. OF TEETH	PART NUMBER	AVAILABLE BELT TYPES	PITCH LENGTH (IN)	NO. OF TEETH
K60XL037	AT	6	30	K120XL037	AT	12	60	K186XL037	AT	18.6	93	K320XL037	AT	32	160
K70XL037	AT	7	35	K124XL037	AT	12.4	62	K190XL037	AT	19	95	K330XL037	AT	33	165
K76XL037	AT	7.6	38	K126XL037	AT	12.6	63	K200XL037	AT	20	100	K360XL037	AT	36	180
K80XL037	AT	8	40	K128XL037	AT	12.8	64	K210XL037	AT	21	105	K376XL037	AT	37.6	188
K84XL037	AT	8.4	42	K130XL037	AT	13	65	K212XL037	AT	21.2	106	K384XL037	AT	38.4	192
K90XL037	AT	9	45	K136XL037	AT	13.6	68	K220XL037	AT	22	110	K390XL037	AT	39	195
K94XL037	AT	9.4	47	K140XL037	AT	14	70	K230XL037	AT	23	115	K414XL037	AT	41.4	207
K96XL037	AT	9.6	48	K150XL037	AT	15	75	K240XL037	AT	24	120	K460XL037	AT	46	230
K100XL037	AT	10	50	K152XL037	AT	15.2	76	K250XL037	AT	25	125	K480XL037	AT	48	240
K102XL037	AT	10.2	51	K154XL037	AT	15.4	77	K254XL037	AT	25.4	127	K512XL037	AT	51.2	256
K104XL037	AT	10.4	52	K160XL037	AT	16	80	K260XL037	AT	26	130	K550XL037	AT	55	275
K106XL037	AT	10.6	53	K166XL037	AT	16.6	83	K270XL037	AT	27	135	K564XL037	AT	56.4	282
K110XL037	AT	11	55	K168XL037	AT	16.8	84	K290XL037	AT	29	145	K630XL037	AT	63	315
K114XL037	AT	11.4	57	K170XL037	AT	17	85	K300XL037	AT	30	150	K670XL037	AT	67	335
K116XL037	AT	11.6	58	K180XL037	AT	18	90								

PART NUMBER	AVAILABLE BELT TYPES	PITCH LENGTH (IN)	NO. OF TEETH	PART NUMBER	AVAILABLE BELT TYPES	PITCH LENGTH (IN)	NO. OF TEETH	PART NUMBER	AVAILABLE BELT TYPES	PITCH LENGTH (IN)	NO. OF TEETH	PART NUMBER	AVAILABLE BELT TYPES	PITCH LENGTH (IN)	NO. OF TEETH
K60XL050	AT	6	30	K120XL050	AT	12	60	K186XL050	AT	18.6	93	K320XL050	AT	32	160
K70XL050	AT	7	35	K124XL050	AT	12.4	62	K190XL050	AT	19	95	K330XL050	AT	33	165
K76XL050	AT	7.6	38	K126XL050	AT	12.6	63	K200XL050	AT	20	100	K360XL050	AT	36	180
K80XL050	AT	8	40	K128XL050	AT	12.8	64	K210XL050	AT	21	105	K376XL050	AT	37.6	188
K84XL050	AT	8.4	42	K130XL050	AT	13	65	K212XL050	AT	21.2	106	K384XL050	AT	38.4	192
K90XL050	AT	9	45	K136XL050	AT	13.6	68	K220XL050	AT	22	110	K390XL050	AT	39	195
K94XL050	AT	9.4	47	K140XL050	AT	14	70	K230XL050	AT	23	115	K414XL050	AT	41.4	207
K96XL050	AT	9.6	48	K150XL050	AT	15	75	K240XL050	AT	24	120	K460XL050	AT	46	230
K100XL050	AT	10	50	K152XL050	AT	15.2	76	K250XL050	AT	25	125	K480XL050	AT	48	240
K102XL050	AT	10.2	51	K154XL050	AT	15.4	77	K254XL050	AT	25.4	127	K512XL050	AT	51.2	256
K104XL050	AT	10.4	52	K160XL050	AT	16	80	K260XL050	AT	26	130	K550XL050	AT	55	275
K106XL050	AT	10.6	53	K166XL050	AT	16.6	83	K270XL050	AT	27	135	K564XL050	AT	56.4	282
K110XL050	AT	11	55	K168XL050	AT	16.8	84	K290XL050	AT	29	145	K630XL050	AT	63	315
K114XL050	AT	11.4	57	K170XL050	AT	17	85	K300XL050	AT	30	150	K670XL050	AT	67	335
K116XL050	AT	11.6	58	K180XL050	AT	18	90								

AVAILABLE TIMING BELT CONSTRUCTION TYPES

AT AT ALPHA TORQUE, MOLDED POLYURETHANE BELTS WITH STEEL CORDS

ORDERING EXAMPLES:

K76XL037 AT, 7.6 in. Section Length, XL Section Size, 0.37 in. Belt Width
K254XL050 AT, 25.4 in. Section Length, XL Section Size, 0.50 in. Belt Width

Product Availability

Sizes listed may not be readily available. Please contact an Optibelt representative to confirm availability and/or minimum order quantities.

TOLL FREE: 800-292-6081
 E-mail: info@optibelt-usa.com

Cut to Size Widths

If you need a custom width timing belt, Optibelt has you covered. Each Optibelt facility can cut custom widths. This means you don't have to wait for a manufactured factory order. If it is stock, it can ship!

Contact an Optibelt representative regarding additional sizes, stock availability and pricing.

EXPEDITED SHIPPING: Each Optibelt warehouse facility cuts timing belts to width for faster order service.



L PROFILE POLYURETHANE TIMING BELTS

PART NUMBER	AVAILABLE BELT TYPES	PITCH LENGTH (IN)	NO. OF TEETH
K124L050	AT	12.4	33
K150L050	AT	15	40
K165L050	AT	16.5	44
K173L050	AT	17.3	46
K187L050	AT	18.7	50
K210L050	AT	21	56
K225L050	AT	22.5	60

PART NUMBER	AVAILABLE BELT TYPES	PITCH LENGTH (IN)	NO. OF TEETH
K240L050	AT	24	64
K255L050	AT	25.5	68
K270L050	AT	27	72
K285L050	AT	28.5	76
K300L050	AT	30	80
K322L050	AT	32.2	86

PART NUMBER	AVAILABLE BELT TYPES	PITCH LENGTH (IN)	NO. OF TEETH
K345L050	AT	34.5	92
K367L050	AT	36.7	98
K375L050	AT	37.5	100
K390L050	AT	39	104
K420L050	AT	42	112
K427L050	AT	42.7	114

PART NUMBER	AVAILABLE BELT TYPES	PITCH LENGTH (IN)	NO. OF TEETH
K450L050	AT	45	120
K480L050	AT	48	128
K510L050	AT	51	136
K525L050	AT	52.5	140
K540L050	AT	54	144
K600L050	AT	60	160

PART NUMBER	AVAILABLE BELT TYPES	PITCH LENGTH (IN)	NO. OF TEETH
K124L075	AT	12.4	33
K150L075	AT	15	40
K165L075	AT	16.5	44
K173L075	AT	17.3	46
K187L075	AT	18.7	50
K210L075	AT	21	56
K225L075	AT	22.5	60

PART NUMBER	AVAILABLE BELT TYPES	PITCH LENGTH (IN)	NO. OF TEETH
K240L075	AT	24	64
K255L075	AT	25.5	68
K270L075	AT	27	72
K285L075	AT	28.5	76
K300L075	AT	30	80
K322L075	AT	32.2	86

PART NUMBER	AVAILABLE BELT TYPES	PITCH LENGTH (IN)	NO. OF TEETH
K345L075	AT	34.5	92
K367L075	AT	36.7	98
K375L075	AT	37.5	100
K390L075	AT	39	104
K420L075	AT	42	112
K427L075	AT	42.7	114

PART NUMBER	AVAILABLE BELT TYPES	PITCH LENGTH (IN)	NO. OF TEETH
K450L075	AT	45	120
K480L075	AT	48	128
K510L075	AT	51	136
K525L075	AT	52.5	140
K540L075	AT	54	144
K600L075	AT	60	160

PART NUMBER	AVAILABLE BELT TYPES	PITCH LENGTH (IN)	NO. OF TEETH
K124L100	AT	12.4	33
K150L100	AT	15	40
K165L100	AT	16.5	44
K173L100	AT	17.3	46
K187L100	AT	18.7	50
K210L100	AT	21	56
K225L100	AT	22.5	60

PART NUMBER	AVAILABLE BELT TYPES	PITCH LENGTH (IN)	NO. OF TEETH
K240L100	AT	24	64
K255L100	AT	25.5	68
K270L100	AT	27	72
K285L100	AT	28.5	76
K300L100	AT	30	80
K322L100	AT	32.2	86

PART NUMBER	AVAILABLE BELT TYPES	PITCH LENGTH (IN)	NO. OF TEETH
K345L100	AT	34.5	92
K367L100	AT	36.7	98
K375L100	AT	37.5	100
K390L100	AT	39	104
K420L100	AT	42	112
K427L100	AT	42.7	114

PART NUMBER	AVAILABLE BELT TYPES	PITCH LENGTH (IN)	NO. OF TEETH
K450L100	AT	45	120
K480L100	AT	48	128
K510L100	AT	51	136
K525L100	AT	52.5	140
K540L100	AT	54	144
K600L100	AT	60	160

PART NUMBER	AVAILABLE BELT TYPES	PITCH LENGTH (IN)	NO. OF TEETH
K124L150	AT	12.4	33
K150L150	AT	15	40
K165L150	AT	16.5	44
K173L150	AT	17.3	46
K187L150	AT	18.7	50
K210L150	AT	21	56
K225L150	AT	22.5	60

PART NUMBER	AVAILABLE BELT TYPES	PITCH LENGTH (IN)	NO. OF TEETH
K240L150	AT	24	64
K255L150	AT	25.5	68
K270L150	AT	27	72
K285L150	AT	28.5	76
K300L150	AT	30	80
K322L150	AT	32.2	86

PART NUMBER	AVAILABLE BELT TYPES	PITCH LENGTH (IN)	NO. OF TEETH
K345L150	AT	34.5	92
K367L150	AT	36.7	98
K375L150	AT	37.5	100
K390L150	AT	39	104
K420L150	AT	42	112
K427L150	AT	42.7	114

PART NUMBER	AVAILABLE BELT TYPES	PITCH LENGTH (IN)	NO. OF TEETH
K450L150	AT	45	120
K480L150	AT	48	128
K510L150	AT	51	136
K525L150	AT	52.5	140
K540L150	AT	54	144
K600L150	AT	60	160

AVAILABLE TIMING BELT CONSTRUCTION TYPES

AT AT ALPHA TORQUE, MOLDED POLYURETHANE BELTS WITH STEEL CORDS

ORDERING EXAMPLES:

K240L075 AT, 24.0 in. Section Length, L Section Size, 0.75 in. Belt Width
K525L150 AT, 52.5 in. Section Length, L Section Size, 1.5 in. Belt Width

Contact an Optibelt representative regarding additional sizes, stock availability and pricing.

EXPEDITED SHIPPING: Each Optibelt warehouse facility cuts timing belts to width for faster order service.

Cut to Size Widths
 If you need a custom width timing belt, Optibelt has you covered. Each Optibelt facility can cut custom widths. This means you don't have to wait for a manufactured factory order. If it is stock, it can ship!

Product Availability
 Sizes listed may not be readily available. Please contact an Optibelt representative to confirm availability and/or minimum order quantities.

TOLL FREE: 800-292-6081
 E-mail: info@optibelt-usa.com



TIMING BELTS, POLYURETHANE

T5, T10, & T20 PROFILES

STEEL TENSION CORD

TIMING BELTS
POLYURETHANE

T5 PROFILE POLYURETHANE TIMING BELTS

PART NUMBER	AVAILABLE BELT TYPES	PITCH LENGTH (MM)	NO. OF TEETH	PART NUMBER	AVAILABLE BELT TYPES	PITCH LENGTH (MM)	NO. OF TEETH	PART NUMBER	AVAILABLE BELT TYPES	PITCH LENGTH (MM)	NO. OF TEETH	PART NUMBER	AVAILABLE BELT TYPES	PITCH LENGTH (MM)	NO. OF TEETH
T5/1500AFX	AFX	1500	300	T5/2400AFX	AFX	2400	480	T5/3600AFX	AFX	3600	720	T5/5400AFX	AFX	5400	1080
T5/1600AFX	AFX	1600	320	T5/2500AFX	AFX	2500	500	T5/3800AFX	AFX	3800	760	T5/5600AFX	AFX	5600	1120
T5/1700AFX	AFX	1700	340	T5/2600AFX	AFX	2600	520	T5/4000AFX	AFX	4000	800	T5/5800AFX	AFX	5800	1160
T5/1800AFX	AFX	1800	360	T5/2700AFX	AFX	2700	540	T5/4200AFX	AFX	4200	840	T5/6000AFX	AFX	6000	1200
T5/1900AFX	AFX	1900	380	T5/2800AFX	AFX	2800	560	T5/4400AFX	AFX	4400	880	T5/6200AFX	AFX	6200	1240
T5/2000AFX	AFX	2000	400	T5/2900AFX	AFX	2900	580	T5/4600AFX	AFX	4600	920	T5/6400AFX	AFX	6400	1280
T5/2100AFX	AFX	2100	420	T5/3000AFX	AFX	3000	600	T5/4800AFX	AFX	4800	960	T5/6600AFX	AFX	6600	1320
T5/2200AFX	AFX	2200	440	T5/3200AFX	AFX	3200	640	T5/5000AFX	AFX	5000	1000	T5/6800AFX	AFX	6800	1360
T5/2300AFX	AFX	2300	460	T5/3400AFX	AFX	3400	680	T5/5200AFX	AFX	5200	1040	T5/7000AFX	AFX	7000	1400

T10 PROFILE POLYURETHANE TIMING BELTS

PART NUMBER	AVAILABLE BELT TYPES	PITCH LENGTH (MM)	NO. OF TEETH	PART NUMBER	AVAILABLE BELT TYPES	PITCH LENGTH (MM)	NO. OF TEETH	PART NUMBER	AVAILABLE BELT TYPES	PITCH LENGTH (MM)	NO. OF TEETH	PART NUMBER	AVAILABLE BELT TYPES	PITCH LENGTH (MM)	NO. OF TEETH
T10/1500AFX	AFX	1500	300	T10/2400AFX	AFX	2400	480	T10/3600AFX	AFX	3600	720	T10/5400AFX	AFX	5400	1080
T10/1600AFX	AFX	1600	320	T10/2500AFX	AFX	2500	500	T10/3800AFX	AFX	3800	760	T10/5600AFX	AFX	5600	1120
T10/1700AFX	AFX	1700	340	T10/2600AFX	AFX	2600	520	T10/4000AFX	AFX	4000	800	T10/5800AFX	AFX	5800	1160
T10/1800AFX	AFX	1800	360	T10/2700AFX	AFX	2700	540	T10/4200AFX	AFX	4200	840	T10/6000AFX	AFX	6000	1200
T10/1900AFX	AFX	1900	380	T10/2800AFX	AFX	2800	560	T10/4400AFX	AFX	4400	880	T10/6200AFX	AFX	6200	1240
T10/2000AFX	AFX	2000	400	T10/2900AFX	AFX	2900	580	T10/4600AFX	AFX	4600	920	T10/6400AFX	AFX	6400	1280
T10/2100AFX	AFX	2100	420	T10/3000AFX	AFX	3000	600	T10/4800AFX	AFX	4800	960	T10/6600AFX	AFX	6600	1320
T10/2200AFX	AFX	2200	440	T10/3200AFX	AFX	3200	640	T10/5000AFX	AFX	5000	1000	T10/6800AFX	AFX	6800	1360
T10/2300AFX	AFX	2300	460	T10/3400AFX	AFX	3400	680	T10/5200AFX	AFX	5200	1040	T10/7000AFX	AFX	7000	1400

T20 PROFILE POLYURETHANE TIMING BELTS

PART NUMBER	AVAILABLE BELT TYPES	PITCH LENGTH (MM)	NO. OF TEETH	PART NUMBER	AVAILABLE BELT TYPES	PITCH LENGTH (MM)	NO. OF TEETH	PART NUMBER	AVAILABLE BELT TYPES	PITCH LENGTH (MM)	NO. OF TEETH	PART NUMBER	AVAILABLE BELT TYPES	PITCH LENGTH (MM)	NO. OF TEETH
T20/1500AFX	AFX	1500	300	T20/2400AFX	AFX	2400	480	T20/3600AFX	AFX	3600	720	T20/5400AFX	AFX	5400	1080
T20/1600AFX	AFX	1600	320	T20/2500AFX	AFX	2500	500	T20/3800AFX	AFX	3800	760	T20/5600AFX	AFX	5600	1120
T20/1700AFX	AFX	1700	340	T20/2600AFX	AFX	2600	520	T20/4000AFX	AFX	4000	800	T20/5800AFX	AFX	5800	1160
T20/1800AFX	AFX	1800	360	T20/2700AFX	AFX	2700	540	T20/4200AFX	AFX	4200	840	T20/6000AFX	AFX	6000	1200
T20/1900AFX	AFX	1900	380	T20/2800AFX	AFX	2800	560	T20/4400AFX	AFX	4400	880	T20/6200AFX	AFX	6200	1240
T20/2000AFX	AFX	2000	400	T20/2900AFX	AFX	2900	580	T20/4600AFX	AFX	4600	920	T20/6400AFX	AFX	6400	1280
T20/2100AFX	AFX	2100	420	T20/3000AFX	AFX	3000	600	T20/4800AFX	AFX	4800	960	T20/6600AFX	AFX	6600	1320
T20/2200AFX	AFX	2200	440	T20/3200AFX	AFX	3200	640	T20/5000AFX	AFX	5000	1000	T20/6800AFX	AFX	6800	1360
T20/2300AFX	AFX	2300	460	T20/3400AFX	AFX	3400	680	T20/5200AFX	AFX	5200	1040	T20/7000AFX	AFX	7000	1400

PRODUCT ORDERING: Standard widths: 16, 25, 32, 50, 75 & 100 MM Double sided sections: DT5 & DT10

Specialized product such as fabric & foam backings, cleating, mechanical finishes and more are available from the factory. Minimum quantities apply. Contact an Optibelt representative for more information.

CUSTOM PRODUCT:

- PAZ Fabric
- DT5, DT10 Sections
- Widths
- Cleating/Joining Hardware

Additional customization available.

AVAILABLE TIMING BELT CONSTRUCTION TYPES

AFX AFX ALPHA FLEX, EXTRUDED ENDLESS POLYURETHANE BELTS WITH STEEL CORDS

ORDERING EXAMPLES:

16T5/1900AFX AFX, 16mm Belt Width, T5 Section Size, 1900mm Pitch Length

32T10/3000AFX AFX, 32mm Belt Width, T10 Section Size, 3000mm Pitch Length

100T20/5400AFX AFX, 100mm Belt Width, T20 Section Size, 5400mm Pitch Length

Product Availability

Sizes listed may not be readily available. Please contact an Optibelt representative to confirm availability and/or minimum order quantities.

TOLL FREE: 800-292-6081
E-mail: info@optibelt-usa.com

Cut to Size Widths

If you need a custom width timing belt, Optibelt has you covered. Each Optibelt facility can cut custom widths. This means you don't have to wait for a manufactured factory order. If it is stock, it can ship!

Contact an Optibelt representative regarding additional sizes, stock availability and pricing.

EXPEDITED SHIPPING: Each Optibelt warehouse facility cuts timing belts to width for faster order service.



AT5 PROFILE POLYURETHANE TIMING BELTS

PART NUMBER	AVAILABLE BELT TYPES	PITCH LENGTH (MM)	NO. OF TEETH	PART NUMBER	AVAILABLE BELT TYPES	PITCH LENGTH (MM)	NO. OF TEETH	PART NUMBER	AVAILABLE BELT TYPES	PITCH LENGTH (MM)	NO. OF TEETH	PART NUMBER	AVAILABLE BELT TYPES	PITCH LENGTH (MM)	NO. OF TEETH
AT5/1500AFX	AFX	1500	300	AT5/2400AFX	AFX	2400	480	AT5/3600AFX	AFX	3600	720	AT5/5400AFX	AFX	5400	1080
AT5/1600AFX	AFX	1600	320	AT5/2500AFX	AFX	2500	500	AT5/3800AFX	AFX	3800	760	AT5/5600AFX	AFX	5600	1120
AT5/1700AFX	AFX	1700	340	AT5/2600AFX	AFX	2600	520	AT5/4000AFX	AFX	4000	800	AT5/5800AFX	AFX	5800	1160
AT5/1800AFX	AFX	1800	360	AT5/2700AFX	AFX	2700	540	AT5/4200AFX	AFX	4200	840	AT5/6000AFX	AFX	6000	1200
AT5/1900AFX	AFX	1900	380	AT5/2800AFX	AFX	2800	560	AT5/4400AFX	AFX	4400	880	AT5/6200AFX	AFX	6200	1240
AT5/2000AFX	AFX	2000	400	AT5/2900AFX	AFX	2900	580	AT5/4600AFX	AFX	4600	920	AT5/6400AFX	AFX	6400	1280
AT5/2100AFX	AFX	2100	420	AT5/3000AFX	AFX	3000	600	AT5/4800AFX	AFX	4800	960	AT5/6600AFX	AFX	6600	1320
AT5/2200AFX	AFX	2200	440	AT5/3200AFX	AFX	3200	640	AT5/5000AFX	AFX	5000	1000	AT5/6800AFX	AFX	6800	1360
AT5/2300AFX	AFX	2300	460	AT5/3400AFX	AFX	3400	680	AT5/5200AFX	AFX	5200	1040	AT5/7000AFX	AFX	7000	1400

AT10 PROFILE POLYURETHANE TIMING BELTS

PART NUMBER	AVAILABLE BELT TYPES	PITCH LENGTH (MM)	NO. OF TEETH	PART NUMBER	AVAILABLE BELT TYPES	PITCH LENGTH (MM)	NO. OF TEETH	PART NUMBER	AVAILABLE BELT TYPES	PITCH LENGTH (MM)	NO. OF TEETH	PART NUMBER	AVAILABLE BELT TYPES	PITCH LENGTH (MM)	NO. OF TEETH
AT10/1500AFX	AFX	1500	300	AT10/2400AFX	AFX	2400	480	AT10/3600AFX	AFX	3600	720	AT10/5400AFX	AFX	5400	1080
AT10/1600AFX	AFX	1600	320	AT10/2500AFX	AFX	2500	500	AT10/3800AFX	AFX	3800	760	AT10/5600AFX	AFX	5600	1120
AT10/1700AFX	AFX	1700	340	AT10/2600AFX	AFX	2600	520	AT10/4000AFX	AFX	4000	800	AT10/5800AFX	AFX	5800	1160
AT10/1800AFX	AFX	1800	360	AT10/2700AFX	AFX	2700	540	AT10/4200AFX	AFX	4200	840	AT10/6000AFX	AFX	6000	1200
AT10/1900AFX	AFX	1900	380	AT10/2800AFX	AFX	2800	560	AT10/4400AFX	AFX	4400	880	AT10/6200AFX	AFX	6200	1240
AT10/2000AFX	AFX	2000	400	AT10/2900AFX	AFX	2900	580	AT10/4600AFX	AFX	4600	920	AT10/6400AFX	AFX	6400	1280
AT10/2100AFX	AFX	2100	420	AT10/3000AFX	AFX	3000	600	AT10/4800AFX	AFX	4800	960	AT10/6600AFX	AFX	6600	1320
AT10/2200AFX	AFX	2200	440	AT10/3200AFX	AFX	3200	640	AT10/5000AFX	AFX	5000	1000	AT10/6800AFX	AFX	6800	1360
AT10/2300AFX	AFX	2300	460	AT10/3400AFX	AFX	3400	680	AT10/5200AFX	AFX	5200	1040	AT10/7000AFX	AFX	7000	1400

AT20 PROFILE POLYURETHANE TIMING BELTS

PART NUMBER	AVAILABLE BELT TYPES	PITCH LENGTH (MM)	NO. OF TEETH	PART NUMBER	AVAILABLE BELT TYPES	PITCH LENGTH (MM)	NO. OF TEETH	PART NUMBER	AVAILABLE BELT TYPES	PITCH LENGTH (MM)	NO. OF TEETH	PART NUMBER	AVAILABLE BELT TYPES	PITCH LENGTH (MM)	NO. OF TEETH
AT20/1500AFX	AFX	1500	300	AT20/2400AFX	AFX	2400	480	AT20/3600AFX	AFX	3600	720	AT20/5400AFX	AFX	5400	1080
AT20/1600AFX	AFX	1600	320	AT20/2500AFX	AFX	2500	500	AT20/3800AFX	AFX	3800	760	AT20/5600AFX	AFX	5600	1120
AT20/1700AFX	AFX	1700	340	AT20/2600AFX	AFX	2600	520	AT20/4000AFX	AFX	4000	800	AT20/5800AFX	AFX	5800	1160
AT20/1800AFX	AFX	1800	360	AT20/2700AFX	AFX	2700	540	AT20/4200AFX	AFX	4200	840	AT20/6000AFX	AFX	6000	1200
AT20/1900AFX	AFX	1900	380	AT20/2800AFX	AFX	2800	560	AT20/4400AFX	AFX	4400	880	AT20/6200AFX	AFX	6200	1240
AT20/2000AFX	AFX	2000	400	AT20/2900AFX	AFX	2900	580	AT20/4600AFX	AFX	4600	920	AT20/6400AFX	AFX	6400	1280
AT20/2100AFX	AFX	2100	420	AT20/3000AFX	AFX	3000	600	AT20/4800AFX	AFX	4800	960	AT20/6600AFX	AFX	6600	1320
AT20/2200AFX	AFX	2200	440	AT20/3200AFX	AFX	3200	640	AT20/5000AFX	AFX	5000	1000	AT20/6800AFX	AFX	6800	1360
AT20/2300AFX	AFX	2300	460	AT20/3400AFX	AFX	3400	680	AT20/5200AFX	AFX	5200	1040	AT20/7000AFX	AFX	7000	1400

PRODUCT ORDERING: Standard widths: 16, 25, 32, 50, 75 & 100 MM Double sided sections: DT5 & DT10

Specialized product such as fabric & foam backings, cleating, mechanical finishes and more are available from the factory. Minimum quantities apply. Contact an Optibelt representative for more information.

CUSTOM PRODUCT:

- PAZ Fabric
 - DT5, DT10 Sections
 - Widths
 - Cleating/Joining Hardware
- Additional customization available.

AVAILABLE TIMING BELT CONSTRUCTION TYPES

AFX AFX ALPHA FLEX, EXTRUDED ENDLESS POLYURETHANE BELTS WITH STEEL CORDS

ORDERING EXAMPLES:

- 16AT5/1900AFX** AFX, 16mm Belt Width, T5 Section Size, 1900mm Pitch Length
- 32AT10/3000AFX** AFX, 32mm Belt Width, T10 Section Size, 3000mm Pitch Length
- 100AT20/5400AFX** AFX, 100mm Belt Width, T20 Section Size, 5400mm Pitch Length

Contact an Optibelt representative regarding additional sizes, stock availability and pricing.

EXPEDITED SHIPPING: Each Optibelt warehouse facility cuts timing belts to width for faster order service.

Cut to Size Widths

If you need a custom width timing belt, Optibelt has you covered. Each Optibelt facility can cut custom widths. This means you don't have to wait for a manufactured factory order. If it is stock, it can ship!

Product Availability

Sizes listed may not be readily available. Please contact an Optibelt representative to confirm availability and/or minimum order quantities.

TOLL FREE: 800-292-6081
E-mail: info@optibelt-usa.com



TIMING BELTS, POLYURETHANE

5M & 8M PROFILES

STEEL TENSION CORD

TIMING BELTS
POLYURETHANE

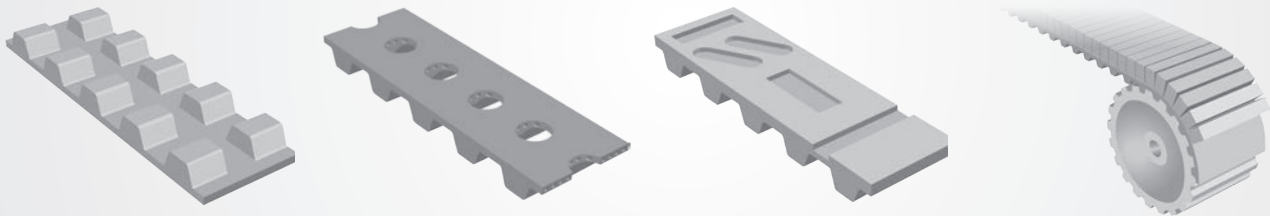
5M PROFILE POLYURETHANE TIMING BELTS

PART NUMBER	AVAILABLE BELT TYPES	PITCH LENGTH (MM)	NO. OF TEETH	PART NUMBER	AVAILABLE BELT TYPES	PITCH LENGTH (MM)	NO. OF TEETH	PART NUMBER	AVAILABLE BELT TYPES	PITCH LENGTH (MM)	NO. OF TEETH	PART NUMBER	AVAILABLE BELT TYPES	PITCH LENGTH (MM)	NO. OF TEETH
5M/1500AFX	AFX	1500	300	5M/2400AFX	AFX	2400	480	5M/3600AFX	AFX	3600	720	5M/5400AFX	AFX	5400	1080
5M/1600AFX	AFX	1600	320	5M/2500AFX	AFX	2500	500	5M/3800AFX	AFX	3800	760	5M/5600AFX	AFX	5600	1120
5M/1700AFX	AFX	1700	340	5M/2600AFX	AFX	2600	520	5M/4000AFX	AFX	4000	800	5M/5800AFX	AFX	5800	1160
5M/1800AFX	AFX	1800	360	5M/2700AFX	AFX	2700	540	5M/4200AFX	AFX	4200	840	5M/6000AFX	AFX	6000	1200
5M/1900AFX	AFX	1900	380	5M/2800AFX	AFX	2800	560	5M/4400AFX	AFX	4400	880	5M/6200AFX	AFX	6200	1240
5M/2000AFX	AFX	2000	400	5M/2900AFX	AFX	2900	580	5M/4600AFX	AFX	4600	920	5M/6400AFX	AFX	6400	1280
5M/2100AFX	AFX	2100	420	5M/3000AFX	AFX	3000	600	5M/4800AFX	AFX	4800	960	5M/6600AFX	AFX	6600	1320
5M/2200AFX	AFX	2200	440	5M/3200AFX	AFX	3200	640	5M/5000AFX	AFX	5000	1000	5M/6800AFX	AFX	6800	1360
5M/2300AFX	AFX	2300	460	5M/3400AFX	AFX	3400	680	5M/5200AFX	AFX	5200	1040	5M/7000AFX	AFX	7000	1400

8M PROFILE POLYURETHANE TIMING BELTS

PART NUMBER	AVAILABLE BELT TYPES	PITCH LENGTH (MM)	NO. OF TEETH	PART NUMBER	AVAILABLE BELT TYPES	PITCH LENGTH (MM)	NO. OF TEETH	PART NUMBER	AVAILABLE BELT TYPES	PITCH LENGTH (MM)	NO. OF TEETH	PART NUMBER	AVAILABLE BELT TYPES	PITCH LENGTH (MM)	NO. OF TEETH
8M/1504AFX	AFX	1504	188	8M/2400AFX	AFX	2400	300	8M/3600AFX	AFX	3600	450	8M/5400AFX	AFX	5400	675
8M/1600AFX	AFX	1600	200	8M/2504AFX	AFX	2504	313	8M/3800AFX	AFX	3800	475	8M/5600AFX	AFX	5600	700
8M/1704AFX	AFX	1704	213	8M/2600AFX	AFX	2600	325	8M/4000AFX	AFX	4000	500	8M/5800AFX	AFX	5800	725
8M/1800AFX	AFX	1800	225	8M/2704AFX	AFX	2700	338	8M/4200AFX	AFX	4200	525	8M/6000AFX	AFX	6000	750
8M/1904AFX	AFX	1904	238	8M/2800AFX	AFX	2800	350	8M/4400AFX	AFX	4400	550	8M/6200AFX	AFX	6200	775
8M/2000AFX	AFX	2000	250	8M/2904AFX	AFX	2904	363	8M/4600AFX	AFX	4600	575	8M/6400AFX	AFX	6400	800
8M/2104AFX	AFX	2104	263	8M/3000AFX	AFX	3000	375	8M/4800AFX	AFX	4800	600	8M/6600AFX	AFX	6600	825
8M/2200AFX	AFX	2200	275	8M/3200AFX	AFX	3200	400	8M/5000AFX	AFX	5000	625	8M/6800AFX	AFX	6800	850
8M/2304AFX	AFX	2304	288	8M/3400AFX	AFX	3400	425	8M/5200AFX	AFX	5200	650	8M/7000AFX	AFX	7000	875

CUSTOMIZED OPTIONS : MECHANICAL FINISHES



Additional options available. Contact an Optibelt representative for further details.

PRODUCT ORDERING: Standard widths: 16, 25, 32, 50, 75 & 100 MM Double sided sections: DT5 & DT10

Specialized product such as fabric & foam backings, cleating, mechanical finishes and more are available from the factory. Minimum quantities apply. Contact an Optibelt representative for more information.

CUSTOM PRODUCT:

- PAZ Fabric
- DT5, DT10 Sections
- Widths
- Cleating/Joining Hardware

Additional customization available.

AVAILABLE TIMING BELT CONSTRUCTION TYPES

AFX AFX ALPHA FLEX, EXTRUDED ENDLESS POLYURETHANE BELTS WITH STEEL CORDS

ORDERING EXAMPLES:

16T5/1900AFX AFX, 16mm Belt Width, T5 Section Size, 1900mm Pitch Length

32T10/3000AFX AFX, 32mm Belt Width, T10 Section Size, 3000mm Pitch Length

100T20/5400AFX AFX, 100mm Belt Width, T20 Section Size, 5400mm Pitch Length

Product Availability

Sizes listed may not be readily available. Please contact an Optibelt representative to confirm availability and/or minimum order quantities.

TOLL FREE: 800-292-6081
E-mail: info@optibelt-usa.com

Cut to Size Widths

If you need a custom width timing belt, Optibelt has you covered. Each Optibelt facility can cut custom widths. This means you don't have to wait for a manufactured factory order. If it is stock, it can ship!

Contact an Optibelt representative regarding additional sizes, stock availability and pricing.

EXPEDITED SHIPPING: Each Optibelt warehouse facility cuts timing belts to width for faster order service.



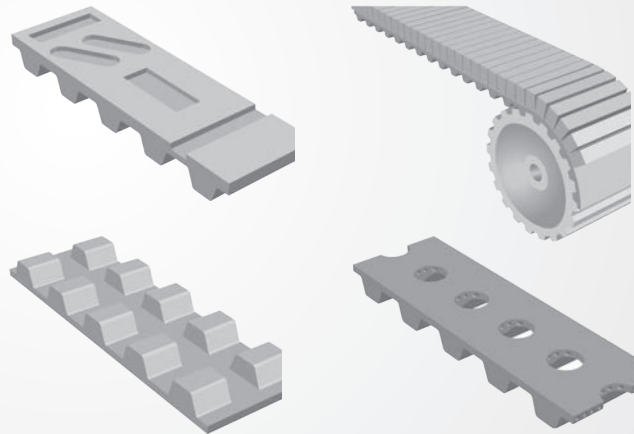
14M PROFILE POLYURETHANE TIMING BELTS

PART NUMBER	AVAILABLE BELT TYPES	PITCH LENGTH (MM)	NO. OF TEETH	PART NUMBER	AVAILABLE BELT TYPES	PITCH LENGTH (MM)	NO. OF TEETH	PART NUMBER	AVAILABLE BELT TYPES	PITCH LENGTH (MM)	NO. OF TEETH	PART NUMBER	AVAILABLE BELT TYPES	PITCH LENGTH (MM)	NO. OF TEETH
14M/1512AFX	AFX	1512	108	14M/2898AFX	AFX	2898	207	14M/4298AFX	AFX	4298	307	14M/5698AFX	AFX	5698	407
14M/1596AFX	AFX	1596	114	14M/2996AFX	AFX	2996	214	14M/4396AFX	AFX	4396	314	14M/5796AFX	AFX	5796	414
14M/1696AFX	AFX	1694	121	14M/3094AFX	AFX	3094	221	14M/4494AFX	AFX	4494	321	14M/5894AFX	AFX	5894	421
14M/1750AFX	AFX	1750	125	14M/3150AFX	AFX	3150	225	14M/4550AFX	AFX	4550	325	14M/5950AFX	AFX	5950	425
14M/1806AFX	AFX	1806	129	14M/3206AFX	AFX	3206	229	14M/4606AFX	AFX	4606	329	14M/6006AFX	AFX	6006	429
14M/1904AFX	AFX	1904	136	14M/3304AFX	AFX	3304	236	14M/4704AFX	AFX	4704	336	14M/6104AFX	AFX	6104	436
14M/2002AFX	AFX	2002	143	14M/3402AFX	AFX	3402	243	14M/4802AFX	AFX	4802	343	14M/6202AFX	AFX	6202	443
14M/2100AFX	AFX	2100	150	14M/3500AFX	AFX	3500	250	14M/4900AFX	AFX	4900	350	14M/6300AFX	AFX	6300	450
14M/2198AFX	AFX	2198	157	14M/3598AFX	AFX	3598	257	14M/4998AFX	AFX	4998	357	14M/6398AFX	AFX	6398	457
14M/2296AFX	AFX	2296	164	14M/3696AFX	AFX	3696	264	14M/5096AFX	AFX	5096	364	14M/6496AFX	AFX	6496	464
14M/2394AFX	AFX	2394	171	14M/3794AFX	AFX	3794	271	14M/5194AFX	AFX	5194	371	14M/6594AFX	AFX	6594	471
14M/2450AFX	AFX	2450	175	14M/3850AFX	AFX	3850	275	14M/5250AFX	AFX	5250	375	14M/6650AFX	AFX	6650	475
14M/2506AFX	AFX	2506	179	14M/3906AFX	AFX	3906	279	14M/5306AFX	AFX	5306	379	14M/6706AFX	AFX	6706	479
14M/2604AFX	AFX	2604	186	14M/4004AFX	AFX	4004	286	14M/5404AFX	AFX	5404	386	14M/6804AFX	AFX	6804	486
14M/2702AFX	AFX	2702	193	14M/4102AFX	AFX	4102	293	14M/5502AFX	AFX	5502	393	14M/6902AFX	AFX	6902	493
14M/2800AFX	AFX	2800	200	14M/4200AFX	AFX	4200	300	14M/5600AFX	AFX	5600	400	14M/7000AFX	AFX	7000	500

CUSTOMIZED OPTIONS : MECHANICAL FINISHES

Optibelt's state-of-the-art manufacturing facilities allow the capabilities to manufacture custom polyurethane belts suited to our customers specific needs. These include:

- Ground belt top surface
- Ground belt width
- Machined grooves top and bottom
- Remove individual teeth
- Pierce toothed belts
- Separate coatings
- Milled grooves in the belt top surface/coating
- Cleating options available



Additional options available. Contact an Optibelt representative for further details.

PRODUCT ORDERING: Standard widths: 16, 25, 32, 50, 75 & 100 MM Double sided sections: DT5 & DT10

Specialized product such as fabric & foam backings, cleating, mechanical finishes and more are available from the factory. Minimum quantities apply. Contact an Optibelt representative for more information.

CUSTOM PRODUCT:

- PAZ Fabric
 - DT5, DT10 Sections
 - Widths
 - Cleating/Joining Hardware
- Additional customization available.

AVAILABLE TIMING BELT CONSTRUCTION TYPES

AFX AFX ALPHA FLEX, EXTRUDED ENDLESS POLYURETHANE BELTS WITH STEEL CORDS

ORDERING EXAMPLES:

- 16AT5/1900AFX** AFX, 16mm Belt Width, T5 Section Size, 1900mm Pitch Length
- 32AT10/3000AFX** AFX, 32mm Belt Width, T10 Section Size, 3000mm Pitch Length
- 100AT20/5400AFX** AFX, 100mm Belt Width, T20 Section Size, 5400mm Pitch Length

Contact an Optibelt representative regarding additional sizes, stock availability and pricing.

EXPEDITED SHIPPING: Each Optibelt warehouse facility cuts timing belts to width for faster order service.

Cut to Size Widths

If you need a custom width timing belt, Optibelt has you covered. Each Optibelt facility can cut custom widths. This means you don't have to wait for a manufactured factory order. If it is stock, it can ship!

Product Availability

Sizes listed may not be readily available. Please contact an Optibelt representative to confirm availability and/or minimum order quantities.

TOLL FREE: 800-292-6081
E-mail: info@optibelt-usa.com



TIMING BELTS, POLYURETHANE LINEAR

XL, L, H, & XH PROFILES

STEEL & ARAMID TENSION CORD

XL PROFILE LINEAR TIMING BELTS

STEEL	ARAMID	TENSION CORD	
PROFILE WIDTH-CORD	PROFILE WIDTH-CORD	PITCH (IN)	BELT WIDTH (IN)
XL025-ST	XL025-AR	0.2	0.25
XL031-ST	XL031-AR	0.2	0.313
XL037-ST	XL037-AR	0.2	0.375

STEEL	ARAMID	TENSION CORD	
PROFILE WIDTH-CORD	PROFILE WIDTH-CORD	PITCH (IN)	BELT WIDTH (IN)
XL050-ST	XL050-AR	0.2	0.5
XL075-ST	XL075-AR	0.2	0.75
XL100-ST	XL100-AR	0.2	1

L PROFILE LINEAR TIMING BELTS

STEEL	ARAMID	TENSION CORD	
PROFILE WIDTH-CORD	PROFILE WIDTH-CORD	PITCH (IN)	BELT WIDTH (IN)
L037-ST	L037-AR	0.375	0.375
L050-ST	L050-AR	0.375	0.5
L075-ST	L075-AR	0.375	0.75

STEEL	ARAMID	TENSION CORD	
PROFILE WIDTH-CORD	PROFILE WIDTH-CORD	PITCH (IN)	BELT WIDTH (IN)
L100-ST	L100-AR	0.375	1
L150-ST	L150-AR	0.375	1.5
L200-ST	L200-AR	0.375	2

H PROFILE LINEAR TIMING BELTS

STEEL	ARAMID	TENSION CORD	
PROFILE WIDTH-CORD	PROFILE WIDTH-CORD	PITCH (IN)	BELT WIDTH (IN)
H050-ST	H050-AR	0.5	0.5
H075-ST	H075-AR	0.5	0.75

STEEL	ARAMID	TENSION CORD	
PROFILE WIDTH-CORD	PROFILE WIDTH-CORD	PITCH (IN)	BELT WIDTH (IN)
H100-ST	H100-AR	0.5	1
H150-ST	H150-AR	0.5	1.5

XH PROFILE LINEAR TIMING BELTS

STEEL	ARAMID	TENSION CORD	
PROFILE WIDTH-CORD	PROFILE WIDTH-CORD	PITCH (IN)	BELT WIDTH (IN)
XH100-ST	XH100-AR	.875	1
XH200-ST	XH200-AR	.875	2

STEEL	ARAMID	TENSION CORD	
PROFILE WIDTH-CORD	PROFILE WIDTH-CORD	PITCH (IN)	BELT WIDTH (IN)
XH300-ST	XH300-AR	.875	3
XH500-ST	XH500-AR	.875	5

ST = Steel Cord AR = Aramid Cord

CUSTOM PRODUCT:

- Joined Endless
- Belt Widths
- Cleating/Joining Hardware

Additional customization available.

Standard Roll Length:

164 ft. / 50 M

JOINED ENDLESS:

Linear belts can be joined endless. Contact an Optibelt representative for more information.

ORDERING EXAMPLES:

L100-ST Alpha Linear, L Section Size, 1 in. Belt Width, Steel Cord

XH500-AR Alpha Linear, XH Section Size, 5 in. Belt Width, Aramid Cord

Product Availability

Sizes listed may not be readily available. Please contact an Optibelt representative to confirm availability and/or minimum order quantities.

Contact an Optibelt representative regarding additional sizes, stock availability and pricing.

Need Help?

Contact Optibelt customer service. Our friendly staff is here to assist you.

TOLL FREE: 800-292-6081
E-mail: info@optibelt-usa.com

TIMING BELTS, POLYURETHANE LINEAR

STEEL & ARAMID TENSION CORD

5M, 8M, & 14M PROFILES



LINEAR
TIMING BELTS

5M PROFILE LINEAR TIMING BELTS

STEEL	ARAMID	TENSION CORD	
PROFILE WIDTH-CORD	PROFILE WIDTH-CORD	PITCH (IN)	BELT WIDTH (IN)
5M10-ST	5M10-AR	5	10
5M15-ST	5M15-AR	5	15

STEEL	ARAMID	TENSION CORD	
PROFILE WIDTH-CORD	PROFILE WIDTH-CORD	PITCH (IN)	BELT WIDTH (IN)
5M25-ST	5M25-AR	5	25
5M50-ST	5M50-AR	5	50

8M PROFILE LINEAR TIMING BELTS

STEEL	ARAMID	TENSION CORD	
PROFILE WIDTH-CORD	PROFILE WIDTH-CORD	PITCH (IN)	BELT WIDTH (IN)
8M20-ST	8M20-AR	8	20
8M25-ST	8M25-AR	8	25
8M30-ST	8M30-AR	8	30

STEEL	ARAMID	TENSION CORD	
PROFILE WIDTH-CORD	PROFILE WIDTH-CORD	PITCH (IN)	BELT WIDTH (IN)
8M50-ST	8M50-AR	8	50
8M85-ST	8M85-AR	8	85

14M PROFILE LINEAR TIMING BELTS

STEEL	ARAMID	TENSION CORD	
PROFILE WIDTH-CORD	PROFILE WIDTH-CORD	PITCH (IN)	BELT WIDTH (IN)
14M25-ST	14M25-AR	14	25
14M40-ST	14M40-AR	14	40

STEEL	ARAMID	TENSION CORD	
PROFILE WIDTH-CORD	PROFILE WIDTH-CORD	PITCH (IN)	BELT WIDTH (IN)
14M55-ST	14M55-AR	14	55
14M85-ST	14M85-AR	14	85

ST = Steel Cord AR = Aramid Cord

CUSTOM PRODUCT:

- Joined Endless
- Belt Widths
- Cleating/Joining Hardware

Additional customization available.

Standard Roll Length:

164 ft. / 50 M

JOINED ENDLESS:

Linear belts can be joined endless. Contact an Optibelt representative for more information.

ORDERING EXAMPLES:

- 5M15-ST** Alpha Linear, 5M Section Size, 15mm Belt Width, Steel Cord
14M85-AR Alpha Linear, XH Section Size, 5 in. Belt Width, Aramid Cord

Need Help?

Contact Optibelt customer service. Our friendly staff is here to assist you.

TOLL FREE: 800-292-6081
 E-mail: info@optibelt-usa.com

Contact an Optibelt representative regarding additional sizes, stock availability and pricing.

Product Availability

Sizes listed may not be readily available. Please contact an Optibelt representative to confirm availability and/or minimum order quantities.



TIMING BELTS, POLYURETHANE LINEAR

T5, T10, & T20 PROFILES

STEEL & ARAMID TENSION CORD

LINEAR
TIMING BELTS

T5 PROFILE LINEAR TIMING BELTS

STEEL	ARAMID	TENSION CORD	
PROFILE WIDTH-CORD	PROFILE WIDTH-CORD	PITCH (IN)	BELT WIDTH (IN)
10T5-ST	10T5-AR	5	10
16T5-ST	16T5-AR	5	16
25T5-ST	25T5-AR	5	25
32T5-ST	32T5-AR	5	32

STEEL	ARAMID	TENSION CORD	
PROFILE WIDTH-CORD	PROFILE WIDTH-CORD	PITCH (IN)	BELT WIDTH (IN)
50T5-ST	50T5-AR	5	50
75T5-ST	75T5-AR	5	75
100T5-ST	100T5-AR	5	100

T10 PROFILE LINEAR TIMING BELTS

STEEL	ARAMID	TENSION CORD	
PROFILE WIDTH-CORD	PROFILE WIDTH-CORD	PITCH (IN)	BELT WIDTH (IN)
10T10-ST	10T10-AR	10	10
16T10-ST	16T10-AR	10	16
25T10-ST	25T10-AR	10	25
32T10-ST	32T10-AR	10	32
40T10-ST	40T10-AR	10	40

STEEL	ARAMID	TENSION CORD	
PROFILE WIDTH-CORD	PROFILE WIDTH-CORD	PITCH (IN)	BELT WIDTH (IN)
50T10-ST	50T10-AR	10	50
75T10-ST	75T10-AR	10	75
100T10-ST	100T10-AR	10	100
150T10-ST	150T10-AR	10	150

T20 PROFILE LINEAR TIMING BELTS

STEEL	ARAMID	TENSION CORD	
PROFILE WIDTH-CORD	PROFILE WIDTH-CORD	PITCH (IN)	BELT WIDTH (IN)
25T20-ST	25T20-AR	20	25
32T20-ST	32T20-AR	20	32
50T20-ST	50T20-AR	20	50

STEEL	ARAMID	TENSION CORD	
PROFILE WIDTH-CORD	PROFILE WIDTH-CORD	PITCH (IN)	BELT WIDTH (IN)
75T20-ST	75T20-AR	20	75
100T20-ST	100T20-AR	20	100
150T20-ST	150T20-AR	20	150

ST = Steel Cord AR = Aramid Cord

CUSTOM PRODUCT:

- Joined Endless
- Belt Widths
- Cleating/Joining Hardware

Additional customization available.

Standard Roll Length:

164 ft. / 50 M

JOINED ENDLESS:

Linear belts can be joined endless. Minimum lengths apply to aramid cord belts (1000mm) (600mm, T5, T10, AT5, AT10).

ORDERING EXAMPLES:

10T5-ST Alpha Linear, 10mm Belt Width, T5 Section Size, Steel Cord

150T20-AR Alpha Linear, 150mm Belt Width, T20 Section Size, Aramid Cord

ALPHA LINEAR F Contact an Optibelt representative for more information.

Sections: F2, F2.5, 3

Product Availability

Sizes listed may not be readily available. Please contact an Optibelt representative to confirm availability and/or minimum order quantities.

Contact an Optibelt representative regarding additional sizes, stock availability and pricing.

Need Help?

Contact Optibelt customer service. Our friendly staff is here to assist you.

TOLL FREE: 800-292-6081
E-mail: info@optibelt-usa.com

TIMING BELTS, POLYURETHANE LINEAR

STEEL & ARAMID TENSION CORD

AT5, AT10, & AT20 PROFILES



LINEAR
TIMING BELTS

AT5 PROFILE LINEAR TIMING BELTS

STEEL	ARAMID	TENSION CORD	
PROFILE WIDTH-CORD	PROFILE WIDTH-CORD	PITCH (IN)	BELT WIDTH (IN)
10AT5-ST	10AT5-AR	5	10
16AT5-ST	16AT5-AR	5	16
25AT5-ST	25AT5-AR	5	25
32AT5-ST	32AT5-AR	5	32

STEEL	ARAMID	TENSION CORD	
PROFILE WIDTH-CORD	PROFILE WIDTH-CORD	PITCH (IN)	BELT WIDTH (IN)
50AT5-ST	50AT5-AR	5	50
75AT5-ST	75AT5-AR	5	75
100AT5-ST	100AT5-AR	5	100

AT10 PROFILE LINEAR TIMING BELTS

STEEL	ARAMID	TENSION CORD	
PROFILE WIDTH-CORD	PROFILE WIDTH-CORD	PITCH (IN)	BELT WIDTH (IN)
16AT10-ST	16AT10-AR	10	16
25AT10-ST	25AT10-AR	10	25
32AT10-ST	32AT10-AR	10	32
50AT10-ST	50AT10-AR	10	50

STEEL	ARAMID	TENSION CORD	
PROFILE WIDTH-CORD	PROFILE WIDTH-CORD	PITCH (IN)	BELT WIDTH (IN)
75AT10-ST	75AT10-AR	10	75
100AT10-ST	100AT10-AR	10	100
150AT10-ST	150AT10-AR	10	150

AT20 PROFILE LINEAR TIMING BELTS

STEEL	ARAMID	TENSION CORD	
PROFILE WIDTH-CORD	PROFILE WIDTH-CORD	PITCH (IN)	BELT WIDTH (IN)
25AT20-ST	25AT20-AR	20	25
32AT20-ST	32AT20-AR	20	32
50AT20-ST	50AT20-AR	20	50

STEEL	ARAMID	TENSION CORD	
PROFILE WIDTH-CORD	PROFILE WIDTH-CORD	PITCH (IN)	BELT WIDTH (IN)
75AT20-ST	75AT20-AR	20	75
100AT20-ST	100AT20-AR	20	100
150AT20-ST	150AT20-AR	20	150

ST = Steel Cord AR = Aramid Cord

CUSTOM PRODUCT:

- Joined Endless
- Belt Widths
- Cleating/Joining Hardware

Additional customization available.

Standard Roll Length:

164 ft. / 50 M

JOINED ENDLESS:

Linear belts can be joined endless. Contact an Optibelt representative for more information.

ORDERING EXAMPLES:

50AT10-ST Alpha Linear, 50mm Belt Width, AT10 Section Size, Steel Cord

25AT20-AR Alpha Linear, 25mm Belt Width, AT20 Section Size, Aramid Cord

ALPHA LINEAR F Contact an Optibelt representative for more information.

Sections: F2, F2.5, 3

Need Help?

Contact Optibelt customer service. Our friendly staff is here to assist you.

TOLL FREE: 800-292-6081
E-mail: info@optibelt-usa.com

Contact an Optibelt representative regarding additional sizes, stock availability and pricing.

Product Availability

Sizes listed may not be readily available. Please contact an Optibelt representative to confirm availability and/or minimum order quantities.



TIMING BELTS, ZR OPEN-ENDED

XL, L, & H PROFILES

LINEAR

XL PROFILE OPEN-ENDED TIMING BELTS

STEEL	FIBERGLASS	TENSION CORD	
PROFILE WIDTH-CORD	PROFILE WIDTH-CORD	BELT WIDTH (IN)	ROLL LENGTH (FT)
XL025 STEEL	XL025 GLASS	0.25	98
XL031 STEEL	XL031 GLASS	0.313	98

STEEL	FIBERGLASS	TENSION CORD	
PROFILE WIDTH-CORD	PROFILE WIDTH-CORD	BELT WIDTH (IN)	ROLL LENGTH (FT)
XL037 STEEL	XL037 GLASS	0.375	98
XL050 STEEL	XL050 GLASS	0.5	98

L PROFILE OPEN-ENDED TIMING BELTS

STEEL	FIBERGLASS	TENSION CORD	
PROFILE WIDTH-CORD	PROFILE WIDTH-CORD	BELT WIDTH (IN)	ROLL LENGTH (FT)
L037 STEEL	L037 GLASS	0.375	98
L050 STEEL	L050 GLASS	0.5	98

STEEL	FIBERGLASS	TENSION CORD	
PROFILE WIDTH-CORD	PROFILE WIDTH-CORD	BELT WIDTH (IN)	ROLL LENGTH (FT)
L075 STEEL	L075 GLASS	0.75	98
L100 STEEL	L100 GLASS	1	98

H PROFILE OPEN-ENDED TIMING BELTS

STEEL	FIBERGLASS	TENSION CORD	
PROFILE WIDTH-CORD	PROFILE WIDTH-CORD	BELT WIDTH (IN)	ROLL LENGTH (FT)
H050 STEEL	H050 GLASS	0.5	98
H075 STEEL	H075 GLASS	0.75	98
H100 STEEL	H100 GLASS	1	98

STEEL	FIBERGLASS	TENSION CORD	
PROFILE WIDTH-CORD	PROFILE WIDTH-CORD	BELT WIDTH (IN)	ROLL LENGTH (FT)
H150 STEEL	H150 GLASS	1.5	98
H200 STEEL	H200 GLASS	2	98

STEEL = Steel Cord GLASS = Fiberglass Cord

CUSTOM PRODUCT:

- Belt Widths
- Cleating/Joining Hardware

Additional customization available.

Standard Roll Length:

164 ft. / 50 M

JOINED ENDLESS:

Linear belts can be joined endless. Contact an Optibelt representative for more information.

ORDERING EXAMPLES:

XL031 STEEL ZR Open-Ended, 0.313 in. Belt Width, XL Section Size, Steel Cord

H150 GLASS ZR Open-Ended, 1.5 in. Belt Width, H Section Size, Fiberglass Cord

ZR LINEAR FEATURES:

- High tensile strength
- Angular misalignment max. 0.67° (dependent on the width)
- Maintenance free

- Approved worldwide
- For low loading
- Sections standardized according to ISO 5296 / ISO 5294
- Standard roll length 98 ft. (30m)

PRODUCT APPLICATIONS:

- Automatic gates & doors.
- Robotic Automation
- Position Drives

Product Availability

Sizes listed may not be readily available. Please contact an Optibelt representative to confirm availability and/or minimum order quantities.

Contact an Optibelt representative regarding additional sizes, stock availability and pricing.

Need Help?

Contact Optibelt customer service. Our friendly staff is here to assist you.

TOLL FREE: 800-292-6081
E-mail: info@optibelt-usa.com

TIMING BELTS, ZR OPEN-ENDED

3M, 5M, 8M, AND 14M PROFILES



LINEAR

3M PROFILE OPEN-ENDED TIMING BELTS

STEEL	FIBERGLASS	TENSION CORD	
PROFILE WIDTH-CORD	PROFILE WIDTH-CORD	BELT WIDTH (IN)	ROLL LENGTH (FT)
3M06 STEEL	3M06 GLASS	6	98
3M09 STEEL	3M09 GLASS	9	98

STEEL	FIBERGLASS	TENSION CORD	
PROFILE WIDTH-CORD	PROFILE WIDTH-CORD	BELT WIDTH (IN)	ROLL LENGTH (FT)
3M15 STEEL	3M15 GLASS	15	98

5M PROFILE OPEN-ENDED TIMING BELTS

STEEL	FIBERGLASS	TENSION CORD	
PROFILE WIDTH-CORD	PROFILE WIDTH-CORD	BELT WIDTH (IN)	ROLL LENGTH (FT)
5M06 STEEL	3M06 GLASS	6	98
5M09 STEEL	3M09 GLASS	9	98

STEEL	FIBERGLASS	TENSION CORD	
PROFILE WIDTH-CORD	PROFILE WIDTH-CORD	BELT WIDTH (IN)	ROLL LENGTH (FT)
5M15 STEEL	3M15 GLASS	15	98
5M25 STEEL	5M25 GLASS	25	98

8M PROFILE OPEN-ENDED TIMING BELTS

STEEL	FIBERGLASS	TENSION CORD	
PROFILE WIDTH-CORD	PROFILE WIDTH-CORD	BELT WIDTH (IN)	ROLL LENGTH (FT)
8M10 STEEL	8M10 GLASS	10	98
8M15 STEEL	3M15 GLASS	15	98
8M20 STEEL	8M20 GLASS	20	98

STEEL	FIBERGLASS	TENSION CORD	
PROFILE WIDTH-CORD	PROFILE WIDTH-CORD	BELT WIDTH (IN)	ROLL LENGTH (FT)
8M30 STEEL	8M30 GLASS	30	98
8M50 STEEL	3M50 GLASS	50	98
8M85 STEEL	8M85 GLASS	85	98

14M PROFILE OPEN-ENDED TIMING BELTS

STEEL	FIBERGLASS	TENSION CORD	
PROFILE WIDTH-CORD	PROFILE WIDTH-CORD	BELT WIDTH (IN)	ROLL LENGTH (FT)
14M25 STEEL	14M25 GLASS	25	98
14M40 STEEL	14M40 GLASS	40	98

STEEL	FIBERGLASS	TENSION CORD	
PROFILE WIDTH-CORD	PROFILE WIDTH-CORD	BELT WIDTH (IN)	ROLL LENGTH (FT)
14M55 STEEL	14M55 GLASS	55	98
14M85 STEEL	14M85 GLASS	85	98

STEEL = Steel Cord GLASS = Fiberglass Cord

CUSTOM PRODUCT:

- Belt Widths
- Cleating/Joining Hardware

Additional customization available.

Standard Roll Length:

164 ft. / 50 M

JOINED ENDLESS:

Linear belts can be joined endless. Contact an Optibelt representative for more information.

ORDERING EXAMPLES:

XL031 STEEL ZR Open-Ended, 0.313 in. Belt Width, XL Section Size, Steel Cord

H150 GLASS ZR Open-Ended, 1.5 in. Belt Width, H Section Size, Fiberglass Cord

ZR LINEAR FEATURES:

- High tensile strength
- Angular misalignment max. 0.67° (dependent on the width)
- Maintenance free

- Approved worldwide
- For low loading
- Sections standardized according to ISO 5296 / ISO 5294
- Standard roll length 98 ft. (30m)

PRODUCT APPLICATIONS:

- Automatic gates & doors.
- Robotic Automation
- Position Drives

Need Help?

Contact Optibelt customer service. Our friendly staff is here to assist you.

TOLL FREE: 800-292-6081
E-mail: info@optibelt-usa.com

Contact an Optibelt representative regarding additional sizes, stock availability and pricing.

Product Availability

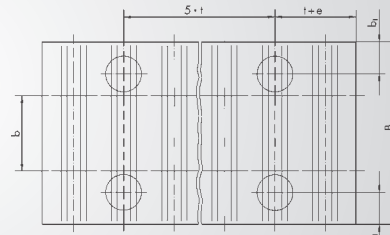
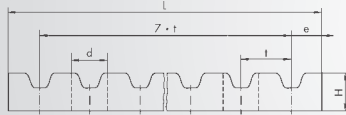
Sizes listed may not be readily available. Please contact an Optibelt representative to confirm availability and/or minimum order quantities.



LINEAR TIMING, CLAMPING PLATES

XL, L, H, 5M, & 8M PROFILES

ALUMINUM CONSTRUCTION



CP PLATES
LINEAR TIMING

PART NUMBER	PITCH (T) (MM)	BELT WIDTH (B) (MM)	B (MM)	b ₁ (MM)	L (MM)	e (MM)	H (MM)	d (MM)	WEIGHT (LBS)	WEIGHT (KG)
CP-XL025	5.08	6.35	25.5	6	42.5	3.5	8	5.5	0.044	0.02
CP-XL037	5.08	9.53	28.5	6	42.5	3.5	8	5.5	0.055	0.025
CP-XL050	5.08	12.7	32	6	42.5	3.5	8	5.5	0.06	0.027
CP-XL075	5.08	19.05	38	6	42.5	3.5	8	5.5	0.071	0.032
CP-XL100	5.08	25.4	45	6	42.5	3.5	8	5.5	0.084	0.038
CP-L037	9.525	9.53	36	8	76.6	5	15	9	0.209	0.095
CP-L050	9.525	12.7	39	8	76.6	5	15	9	0.229	0.104
CP-L075	9.525	19.05	45	8	76.6	5	15	9	0.267	0.121
CP-L100	9.525	25.4	51.5	8	76.6	5	15	9	0.309	0.14
CP-L150	9.525	38.1	64	8	76.6	5	15	9	0.39	0.177
CP-L200	9.525	50.8	77	8	76.6	5	15	9	0.474	0.215
CP-H050	12.7	12.7	45	10	106.9	9	22	11	0.11	0.05
CP-H075	12.7	19.05	51	10	106.9	9	22	11	0.165	0.075
CP-H100	12.7	25.4	57.5	10	106.9	9	22	11	0.22	0.1
CP-H150	12.7	38.1	70	10	106.9	9	22	11	0.331	0.15
CP-H200	12.7	50.8	83	10	106.9	9	22	11	0.441	0.2
CP-H300	12.7	76.2	108	10	106.9	9	22	11	0.661	0.3
CP-H400	12.7	101.6	134	10	106.9	9	22	11	0.882	0.4
CP-5M06	5	6	25	6	41.8	3.2	8	5.5	0.033	0.015
CP-5M09	5	9	28	6	41.8	3.2	8	5.5	0.04	0.018
CP-5M15	5	15	34	6	41.8	3.2	8	5.5	0.049	0.022
CP-5M25	5	25	44	6	41.8	3.2	8	5.5	0.066	0.03
CP-8M10	8	10	35	8	66	5	15	9	0.165	0.075
CP-8M15	8	15	40	8	66	5	15	9	0.187	0.085
CP-8M20	8	20	45	8	66	5	15	9	0.22	0.1
CP-8M30	8	30	55	8	66	5	15	9	0.265	0.12
CP-8M50	8	50	75	8	66	5	15	9	0.375	0.17
CP-8M85	8	85	110	8	66	5	15	9	0.551	0.25

CLAMPING PLATES CONTINUED >>

ORDERING EXAMPLES:

CP-XL050 Clamping Plate, CP Product Code, XL Section Size, 0.5 in. Width

CP-H150 Clamping Plate, CP Product Code, H Section Size, 1.5 in. Width

CP-5M15 Clamping Plate, CP Product Code, 5M Section Size, 15mm Width

CP-14M25 Clamping Plate, CP Product Code, 14M Section Size 25mm Width

Contact an Optibelt representative regarding additional sizes, stock availability and pricing.

All weights are estimated per rib.

Additional sizes and stocking available.

Custom Sizes & Ordering

Additional stocked and custom sizes available. Contact customer service for details.

Need Help?

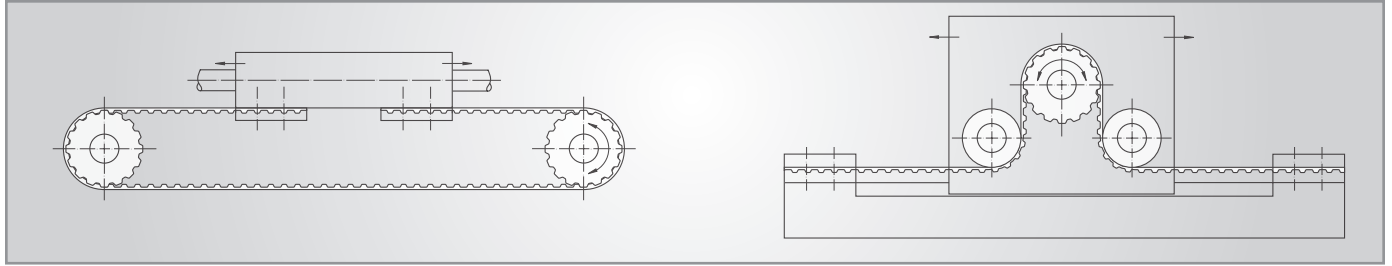
Contact Optibelt customer service. Our friendly staff is here to assist you.

TOLL FREE: 800-292-6081
E-mail: info@optibelt-usa.com

LINEAR TIMING, CLAMPING PLATES

ALUMINUM CONSTRUCTION

14M, T5, T10, & T20 PROFILES



PART NUMBER	PITCH (T) (MM)	BELT WIDTH (B) (MM)	B (MM)	b ₁ (MM)	L (MM)	e (MM)	H (MM)	d (MM)	WEIGHT (LBS)	WEIGHT (KG)
CP-14M25	14	25	56	10	116	9	22	11	0.694	0.315
CP-14M40	14	40	71	10	116	9	22	11	0.893	0.405
CP-14M55	14	55	86	10	116	9	22	11	1.091	0.495
CP-14M85	14	85	116	10	116	9	22	11	1.896	0.86
CP-14M115	14	115	146	10	116	9	22	11	2.635	1.195
CP-6T5	5	6	25	6	41.8	3.2	8	5.5	0.044	0.02
CP-10T5	5	10	29	6	41.8	3.2	8	5.5	0.055	0.025
CP-16T5	5	16	35	6	41.8	3.2	8	5.5	0.066	0.03
CP-25T5	5	25	44	6	41.8	3.2	8	5.5	0.079	0.036
CP-32T5	5	32	51	6	41.8	3.2	8	5.5	0.093	0.042
CP-50T5	5	50	69	6	41.8	3.2	8	5.5	0.112	0.051
CP-16T10	10	16	41	8	80	5	15	9	0.254	0.115
CP-25T10	10	25	50	8	80	5	15	9	0.309	0.14
CP-32T10	10	32	57	8	80	5	15	9	0.353	0.16
CP-50T10	10	50	75	8	80	5	15	9	0.474	0.215
CP-75T10	10	75	100	8	80	5	15	9	0.639	0.29
CP-100T10	10	100	125	8	80	5	15	9	0.816	0.37
CP-25T20	20	25	56	10	160	10	20	11	0.849	0.385
CP-32T20	20	32	65	10	160	10	20	11	0.992	0.45
CP-50T20	20	50	81	10	160	10	20	11	1.257	0.57
CP-75T20	20	75	106	10	160	10	20	11	1.664	0.755
CP-100T20	20	100	132	10	160	10	20	11	2.072	0.94

CP PLATES
LINEAR TIMING

ORDERING EXAMPLES:

CP-14M85 Clamping Plate, CP Product Code, 14M Section Size, 85mm Width

CP-25T5 Clamping Plate, CP Product Code, 25mm Width, T5 Section Size

CP-75T10 Clamping Plate, CP Product Code, 75mm Width, T10 Section Size

CP-50T20 Clamping Plate, CP Product Code, 50mm Width, T20 Section Size

Need Help?

Contact Optibelt customer service.
Our friendly staff is here to assist you.

TOLL FREE: 800-292-6081
E-mail: info@optibelt-usa.com

Custom Sizes & Ordering

Additional stocked and custom sizes available.
Contact customer service for details.

Contact an Optibelt representative regarding
additional sizes, stock availability and pricing.

All weights are estimated per rib.

Additional sizes and stocking available.



SPZ METRIC PROFILE TAPER-LOCK SHEAVES

1 GROOVE		
PART NUMBER	BUSHING	WEIGHT (LBS)
TB SPZ50/1*	1008	0.3
TB SPZ56/1*	1008	0.4
TB SPZ60/1	1008	0.2
TB SPZ63/1	1108	0.2
TB SPZ67/1	1108	0.3
TB SPZ71/1	1108	0.3
TB SPZ75/1	1108	0.3
TB SPZ80/1	1210	0.5

1 GROOVE		
PART NUMBER	BUSHING	WEIGHT (LBS)
TB SPZ85/1	1210	0.6
TB SPZ90/1	1210	0.7
TB SPZ95/1	1210	0.7
TB SPZ100/1	1210	0.8
TB SPZ106/1	1610	0.9
TB SPZ112/1	1610	1.0
TB SPZ118/1	1610	0.9
TB SPZ125/1	1610	1.0

1 GROOVE		
PART NUMBER	BUSHING	WEIGHT (LBS)
TB SPZ132/1	1610	1.1
TB SPZ140/1	1610	1.2
TB SPZ150/1	1610	1.2
TB SPZ160/1	1610	1.3
TB SPZ170/1	1610	1.5
TB SPZ180/1	1610	1.6
TB SPZ190/1	1610	1.8
TB SPZ200/1	2012	2.3

1 GROOVE		
PART NUMBER	BUSHING	WEIGHT (LBS)
TB SPZ224/1	2012	2.5
TB SPZ250/1	2012	2.8
TB SPZ280/1	2012	2.9
TB SPZ315/1	2012	3.1
TB SPZ355/1	2012	3.5
TB SPZ400/1	2012	6.0
TB SPZ450/1	2517	6.1

2 GROOVE		
PART NUMBER	BUSHING	WEIGHT (LBS)
TB SPZ50/2*	1008	0.4
TB SPZ56/2*	1108	0.5
TB SPZ60/2	1108	0.6
TB SPZ63/2	1108	0.3
TB SPZ67/2	1108	0.4
TB SPZ71/2	1108	0.4
TB SPZ75/2	1210	0.4
TB SPZ80/2	1210	0.6

2 GROOVE		
PART NUMBER	BUSHING	WEIGHT (LBS)
TB SPZ85/2	1610	0.5
TB SPZ90/2	1610	0.7
TB SPZ95/2	1610	0.8
TB SPZ100/2	1610	0.9
TB SPZ106/2	1610	1.1
TB SPZ112/2	1610	1.3
TB SPZ118/2	1610	1.3
TB SPZ125/2	1610	1.4

2 GROOVE		
PART NUMBER	BUSHING	WEIGHT (LBS)
TB SPZ132/2	1610	1.5
TB SPZ140/2	1610	1.7
TB SPZ150/2	2012	2.0
TB SPZ160/2	2012	2.5
TB SPZ170/2	2012	2.5
TB SPZ180/2	2012	2.5
TB SPZ190/2	2012	2.6
TB SPZ200/2	2012	2.8

2 GROOVE		
PART NUMBER	BUSHING	WEIGHT (LBS)
TB SPZ224/2	2012	3.2
TB SPZ250/2	2012	3.5
TB SPZ280/2	2012	4.0
TB SPZ315/2	2012	4.2
TB SPZ355/2	2012	5.1
TB SPZ400/2	2517	6.3
TB SPZ450/2	2517	8.2
TB SPZ500/2	2517	9.1

3 GROOVE		
PART NUMBER	BUSHING	WEIGHT (LBS)
TB SPZ63/3	1108	0.4
TB SPZ67/3	1108	0.5
TB SPZ71/3	1108	0.6
TB SPZ75/3	1210	0.6
TB SPZ80/3	1210	0.7
TB SPZ85/3	1610	0.6
TB SPZ90/3	1610	0.8
TB SPZ95/3	1610	0.9

3 GROOVE		
PART NUMBER	BUSHING	WEIGHT (LBS)
TB SPZ100/3	1610	1.1
TB SPZ106/3	1610	1.3
TB SPZ112/3	2012	1.3
TB SPZ118/3	2012	1.6
TB SPZ125/3	2012	1.8
TB SPZ132/3	2012	2.3
TB SPZ140/3	2012	2.6
TB SPZ150/3	2012	3.1

3 GROOVE		
PART NUMBER	BUSHING	WEIGHT (LBS)
TB SPZ160/3	2012	3.6
TB SPZ170/3	2012	4.2
TB SPZ180/3	2012	4.8
TB SPZ190/3	2012	4.9
TB SPZ200/3	2012	3.5
TB SPZ224/3	2012	3.9
TB SPZ250/3	2012	4.3

3 GROOVE		
PART NUMBER	BUSHING	WEIGHT (LBS)
TB SPZ280/3	2517	5.3
TB SPZ315/3	2517	6.1
TB SPZ355/3	2517	7.3
TB SPZ400/3	2517	8
TB SPZ450/3	2517	9.8
TB SPZ500/3	2517	11.4
TB SPZ630/3	2517	15.9

* Accommodates only metric profile 10.

ORDERING EXAMPLES:

TB SPZ75/1 TB Bushing Type, SPZ Belt Section, 75mm Datum Diameter, 1 Groove

TB SPZ132/2 TB Bushing Type, SPZ Belt Section, 132mm Datum Diameter, 2 Grooves

TB SPZ630/3 TB Bushing Type, SPZ Belt Section, 630mm Datum Diameter, 3 Grooves

TB SHEAVES
METAL PRODUCTS



SPA METRIC PROFILE TAPER-LOCK SHEAVES

1 GROOVE		
PART NUMBER	BUSHING	WEIGHT (LBS)
TB SPA63/1*	1008	0.6
TB SPA67/1*	1008	0.3
TB SPA71/1*	1108	0.4
TB SPA75/1*	1108	0.2
TB SPA80/1*	1210	0.5
TB SPA85/1	1210	0.6
TB SPA90/1	1210	0.7
TB SPA95/1	1210	0.8

1 GROOVE		
PART NUMBER	BUSHING	WEIGHT (LBS)
TB SPA100/1	1610	0.8
TB SPA106/1	1610	0.9
TB SPA112/1	1610	1.0
TB SPA118/1	1610	1.2
TB SPA125/1	1610	1.4
TB SPA132/1	1610	1.6
TB SPA140/1	1610	1.8
TB SPA150/1	1610	1.4

1 GROOVE		
PART NUMBER	BUSHING	WEIGHT (LBS)
TB SPA160/1	1610	1.9
TB SPA170/1	1610	2.0
TB SPA180/1	1610	2.1
TB SPA190/1	1610	2.3
TB SPA200/1	2012	2.6
TB SPA212/1	2012	2.7
TB SPA224/1	2012	2.7
TB SPA236/1	2012	2.8

1 GROOVE		
PART NUMBER	BUSHING	WEIGHT (LBS)
TB SPA250/1	2012	2.9
TB SPA280/1	2012	3.3
TB SPA315/1	2012	3.6
TB SPA355/1	2012	4.2
TB SPA400/1	2012	4.9
TB SPA450/1	2012	7.0
TB SPA500/1	2517	8.0
TB SPA560/1	2517	11.6

2 GROOVE		
PART NUMBER	BUSHING	WEIGHT (LBS)
TB SPA63/2*	1008	0.8
TB SPA67/2*	1108	0.5
TB SPA71/2*	1108	0.6
TB SPA75/2*	1108	0.3
TB SPA80/2*	1210	0.6
TB SPA85/2	1210	0.7
TB SPA90/2	1610	0.7
TB SPA95/2	1610	0.9

2 GROOVE		
PART NUMBER	BUSHING	WEIGHT (LBS)
TB SPA100/2	1610	0.9
TB SPA106/2	1610	1.1
TB SPA112/2	1610	1.2
TB SPA118/2	1610	1.4
TB SPA125/2	1610	1.7
TB SPA132/2	2012	1.8
TB SPA140/2	2012	2.0
TB SPA150/2	2012	2.4

2 GROOVE		
PART NUMBER	BUSHING	WEIGHT (LBS)
TB SPA160/2	2012	2.9
TB SPA170/2	2012	3.1
TB SPA180/2	2012	3.4
TB SPA190/2	2012	3.8
TB SPA200/2	2517	4.1
TB SPA212/2	2517	4.3
TB SPA224/2	2517	4.4
TB SPA236/2	2517	4.6

2 GROOVE		
PART NUMBER	BUSHING	WEIGHT (LBS)
TB SPA250/2	2517	4.8
TB SPA280/2	2517	5.4
TB SPA315/2	2517	6.0
TB SPA355/2	2517	6.7
TB SPA400/2	2517	8.1
TB SPA450/2	2517	10.3
TB SPA500/2	2517	11.6
TB SPA560/2	3020	15.5

3 GROOVE		
PART NUMBER	BUSHING	WEIGHT (LBS)
TB SPA71/3*	1108	0.8
TB SPA75/3*	1108	0.4
TB SPA80/3*	1210	0.9
TB SPA85/3	1210	1.0
TB SPA90/3	1610	1.0
TB SPA95/3	1610	1.1
TB SPA100/3	1610	1.2
TB SPA106/3	1610	1.4

3 GROOVE		
PART NUMBER	BUSHING	WEIGHT (LBS)
TB SPA112/3	2012	1.3
TB SPA118/3	2012	1.8
TB SPA125/3	2012	2.0
TB SPA132/3	2012	2.3
TB SPA140/3	2517	2.8
TB SPA150/3	2517	3.5
TB SPA160/3	2517	3.9
TB SPA170/3	2517	4.6

3 GROOVE		
PART NUMBER	BUSHING	WEIGHT (LBS)
TB SPA180/3	2517	5.1
TB SPA190/3	2517	5.4
TB SPA200/3	2517	4.9
TB SPA212/3	2517	5.2
TB SPA224/3	2517	5.5
TB SPA236/3	2517	5.7
TB SPA250/3	2517	5.9
TB SPA280/3	2517	6.7

2 GROOVE		
PART NUMBER	BUSHING	WEIGHT (LBS)
TB SPA250/2	2517	4.8
TB SPA280/2	2517	5.4
TB SPA315/2	2517	6.0
TB SPA355/2	2517	6.7
TB SPA400/2	2517	8.1
TB SPA450/2	2517	10.3
TB SPA500/2	2517	11.6
TB SPA560/2	3020	15.5

4 GROOVE		
PART NUMBER	BUSHING	WEIGHT (LBS)
TB SPA90/4	1615	1.2
TB SPA95/4	1615	1.4
TB SPA100/4	1610	1.7
TB SPA106/4	2012	2.0
TB SPA112/4	2012	1.9
TB SPA118/4	2012	2.0
TB SPA125/4	2012	2.5

4 GROOVE		
PART NUMBER	BUSHING	WEIGHT (LBS)
TB SPA132/4	2517	2.6
TB SPA140/4	2517	3.1
TB SPA150/4	2517	3.8
TB SPA160/4	2517	4.4
TB SPA170/4	2517	5.5
TB SPA180/4	2517	5.9
TB SPA190/4	2517	6.8

4 GROOVE		
PART NUMBER	BUSHING	WEIGHT (LBS)
TB SPA200/4	3020	7.4
TB SPA212/4	3020	7.3
TB SPA224/4	3020	7.4
TB SPA236/4	3020	7.8
TB SPA250/4	3020	8.0
TB SPA280/4	3020	8.8
TB SPA315/4	3020	9.7

4 GROOVE		
PART NUMBER	BUSHING	WEIGHT (LBS)
TB SPA355/4	3020	11.0
TB SPA400/4	3020	12.8
TB SPA450/4	3020	15.5
TB SPA500/4	3020	18.2
TB SPA560/4	3535	26.7
TB SPA630/4	3535	30.8

* Accommodates only metric profile 13.

ORDERING EXAMPLE:

TB SPA212/4 TB Bushing Type, SPA Belt Section, 212mm Datum Diameter, 4 Grooves

TB SHEAVES
METAL PRODUCTS



TB TAPER-LOCK SHEAVES

SPA & SPB PROFILES

METRIC V-BELT PROFILES

SPA METRIC PROFILE TAPER-LOCK SHEAVES

5 GROOVE		
PART NUMBER	BUSHING	WEIGHT (LBS)
TB SPA100/5	1610	1.9
TB SPA106/5	2012	2.0
TB SPA112/5	2012	2.1
TB SPA118/5	2012	2.4
TB SPA125/5	2012	2.7
TB SPA132/5	2517	2.9
TB SPA140/5	2517	3.4

5 GROOVE		
PART NUMBER	BUSHING	WEIGHT (LBS)
TB SPA150/5	2517	4.2
TB SPA160/5	2517	5.1
TB SPA170/5	3020	5.9
TB SPA180/5	3020	6.2
TB SPA190/5	3020	7.4
TB SPA200/5	3020	8.4

5 GROOVE		
PART NUMBER	BUSHING	WEIGHT (LBS)
TB SPA212/5	3020	8.2
TB SPA224/5	3020	8.3
TB SPA236/5	3020	8.7
TB SPA250/5	3020	9.0
TB SPA280/5	3535	15.5
TB SPA315/5	3535	17.0

5 GROOVE		
PART NUMBER	BUSHING	WEIGHT (LBS)
TB SPA355/5	3535	18.6
TB SPA400/5	3535	21.0
TB SPA450/5	3535	24.3
TB SPA500/5	3535	27.3
TB SPA560/5	3535	30.4
TB SPA630/5	3535	33.7

SPB METRIC PROFILE TAPER-LOCK SHEAVES

1 GROOVE		
PART NUMBER	BUSHING	WEIGHT (LBS)
TB SPB100/1*	1610	0.9
TB SPB112/1*	1610	1.1
TB SPB118/1*	1610	1.3
TB SPB125/1*	1610	1.5
TB SPB132/1*	1610	1.8

1 GROOVE		
PART NUMBER	BUSHING	WEIGHT (LBS)
TB SPB140/1	1610	2.3
TB SPB150/1	1610	2.7
TB SPB160/1	1610	2.5
TB SPB170/1	1610	2.9
TB SPB180/1	1610	4.1

1 GROOVE		
PART NUMBER	BUSHING	WEIGHT (LBS)
TB SPB190/1	2012	4.6
TB SPB200/1	2012	5.0
TB SPB212/1	2012	4.2
TB SPB224/1	2012	4.7

1 GROOVE		
PART NUMBER	BUSHING	WEIGHT (LBS)
TB SPB236/1	2012	5.0
TB SPB250/1	2012	5.4
TB SPB280/1	2012	6.1
TB SPB315/1	2012	7.2

2 GROOVE		
PART NUMBER	BUSHING	WEIGHT (LBS)
TB SPB100/2*	1610	1.2
TB SPB112/2*	1610	1.5
TB SPB118/2*	1610	1.7
TB SPB125/2*	2012	1.9
TB SPB132/2*	2012	2.2
TB SPB140/2	2012	2.7
TB SPB150/2	2012	3.1
TB SPB160/2	2012	2.9

2 GROOVE		
PART NUMBER	BUSHING	WEIGHT (LBS)
TB SPB170/2	2012	3.3
TB SPB180/2	2517	4.5
TB SPB190/2	2517	5.0
TB SPB200/2	2517	5.4
TB SPB212/2	2517	4.9
TB SPB224/2	2517	5.3
TB SPB236/2	2517	5.5

2 GROOVE		
PART NUMBER	BUSHING	WEIGHT (LBS)
TB SPB250/2	2517	5.5
TB SPB265/2	2517	6.2
TB SPB280/2	2517	6.8
TB SPB300/2	2517	7.3
TB SPB315/2	2517	7.8
TB SPB335/2	2517	7.8
TB SPB355/2	3020	8.7

2 GROOVE		
PART NUMBER	BUSHING	WEIGHT (LBS)
TB SPB375/2	3020	9.5
TB SPB400/2	3020	10.0
TB SPB425/2	3020	11.5
TB SPB450/2	3020	12.1
TB SPB500/2	3020	13.2
TB SPB560/2	3030	16.5
TB SPB630/2	3020	18.5

3 GROOVE		
PART NUMBER	BUSHING	WEIGHT (LBS)
TB SPB100/3*	1610	1.7
TB SPB112/3*	1610	2.0
TB SPB118/3*	1610	2.3
TB SPB125/3*	2012	2.4
TB SPB132/3*	2012	2.8
TB SPB140/3	2012	3.3
TB SPB150/3	2517	3.9
TB SPB160/3	2517	4.2
TB SPB170/3	2517	4.9

3 GROOVE		
PART NUMBER	BUSHING	WEIGHT (LBS)
TB SPB180/3	2517	5.5
TB SPB190/3	2517	6.3
TB SPB200/3	2517	6.5
TB SPB212/3	2517	6.0
TB SPB224/3	2517	6.3
TB SPB236/3	2517	7.0
TB SPB250/3	3020	7.7
TB SPB265/3	3020	8.0

3 GROOVE		
PART NUMBER	BUSHING	WEIGHT (LBS)
TB SPB280/3	3020	8.6
TB SPB300/3	3020	9.2
TB SPB315/3	3020	9.6
TB SPB335/3	3020	10.5
TB SPB355/3	3020	10.8
TB SPB375/3	3020	11.5
TB SPB400/3	3535	18.3
TB SPB425/3	3535	18.0

3 GROOVE		
PART NUMBER	BUSHING	WEIGHT (LBS)
TB SPB450/3	3535	21.9
TB SPB500/3	3535	23.1
TB SPB560/3	3535	25.9
TB SPB630/3	3535	28.9
TB SPB710/3	3535	33.2
TB SPB800/3	3535	36.7
TB SPB900/3	3535	46.8
TB SPB1000/3	4040	56.5

* Accommodates only metric profile 17.

ORDERING EXAMPLE:

TB SPB200/2 TB Bushing Type, SPB Belt Section, 200mm Datum Diameter, 2 Grooves

TB SHEAVES
METAL PRODUCTS



SPB METRIC PROFILE TAPER-LOCK SHEAVES

4 GROOVE		
PART NUMBER	BUSHING	WEIGHT (LBS)
TB SPB125/4*	2012	3.0
TB SPB132/4*	2012	3.4
TB SPB140/4	2517	3.7
TB SPB150/4	2517	4.4
TB SPB160/4	2517	4.9
TB SPB170/4	2517	5.7
TB SPB180/4	2517	6.9
TB SPB190/4	2517	7.6

4 GROOVE		
PART NUMBER	BUSHING	WEIGHT (LBS)
TB SPB200/4	3020	8.8
TB SPB212/4	3020	9.8
TB SPB224/4	3020	11.3
TB SPB236/4	3020	14.5
TB SPB250/4	3020	19.6
TB SPB265/4	3020	9.5
TB SPB280/4	3020	10.1
TB SPB300/4	3020	14.3

4 GROOVE		
PART NUMBER	BUSHING	WEIGHT (LBS)
TB SPB315/4	3535	17.1
TB SPB335/4	3535	18.3
TB SPB355/4	3535	18.6
TB SPB375/4	3525	16.5
TB SPB400/4	3535	20.5
TB SPB425/4	3535	19.5
TB SPB450/4	3535	24.5

4 GROOVE		
PART NUMBER	BUSHING	WEIGHT (LBS)
TB SPB500/4	3535	26.6
TB SPB560/4	3535	29.0
TB SPB630/4	3535	33.3
TB SPB710/4	3535	39.1
TB SPB800/4	4040	48.8
TB SPB900/4	4040	60.0
TB SPB1000/4	4040	66.5

5 GROOVE		
PART NUMBER	BUSHING	WEIGHT (LBS)
TB SPB125/5*	2012	3.5
TB SPB132/5*	2012	3.7
TB SPB140/5	2517	4.5
TB SPB150/5	2517	5.2
TB SPB160/5	2517	6.0
TB SPB170/5	3020	6.1
TB SPB180/5	3020	7.1

5 GROOVE		
PART NUMBER	BUSHING	WEIGHT (LBS)
TB SPB190/5	3020	8.1
TB SPB200/5	3020	9.1
TB SPB212/5	3020	11.0
TB SPB224/5	3020	12.7
TB SPB236/5	3535	16.9
TB SPB250/5	3535	21.7
TB SPB280/5	3535	17.8

5 GROOVE		
PART NUMBER	BUSHING	WEIGHT (LBS)
TB SPB300/5	3535	18.2
TB SPB315/5	3535	18.8
TB SPB335/5	3535	19.5
TB SPB355/5	3535	20.8
TB SPB400/5	3535	23.4
TB SPB450/5	3535	27.3
TB SPB500/5	3535	29.9

5 GROOVE		
PART NUMBER	BUSHING	WEIGHT (LBS)
TB SPB560/5	4040	35.3
TB SPB630/5	4040	43.1
TB SPB710/5	4040	50.2
TB SPB800/5	4040	56.1
TB SPB900/5	4545	74.8
TB SPB1000/5	4545	80.5

6 GROOVE		
PART NUMBER	BUSHING	WEIGHT (LBS)
TB SPB140/6	2517	4.6
TB SPB150/6	2517	5.6
TB SPB160/6	3020	5.4
TB SPB170/6	3020	6.5
TB SPB180/6	3020	7.7
TB SPB190/6	3020	9.2
TB SPB200/6	3020	10.3

6 GROOVE		
PART NUMBER	BUSHING	WEIGHT (LBS)
TB SPB212/6	3535	14.3
TB SPB224/6	3535	17.0
TB SPB236/6	3535	20.0
TB SPB250/6	3535	23.3
TB SPB265/6	3525	16.7
TB SPB280/6	3535	19.6
TB SPB300/6	3535	21.9

6 GROOVE		
PART NUMBER	BUSHING	WEIGHT (LBS)
TB SPB315/6	3535	23.0
TB SPB335/6	3535	22.0
TB SPB355/6	3535	22.8
TB SPB375/6	3525	25.0
TB SPB400/6	3535	25.1
TB SPB425/6	4040	25.1
TB SPB450/6	4040	35.5

6 GROOVE		
PART NUMBER	BUSHING	WEIGHT (LBS)
TB SPB500/6	4040	38.9
TB SPB560/6	4040	43.1
TB SPB630/6	4040	49.2
TB SPB710/6	4545	62.3
TB SPB800/6	4545	71.4
TB SPB900/6	4545	81.5
TB SPB1000/6	4545	90.0

8 GROOVE		
PART NUMBER	BUSHING	WEIGHT (LBS)
TB SPB170/8	3020	8.0
TB SPB180/8	3020	9.5
TB SPB190/8	3030	11.2
TB SPB200/8	3535	13.5
TB SPB212/8	3535	16.6
TB SPB224/8	3535	19.3
TB SPB236/8	3535	22.3

8 GROOVE		
PART NUMBER	BUSHING	WEIGHT (LBS)
TB SPB250/8	3535	27.5
TB SPB265/8	3525	24.0
TB SPB280/8	3535	26.7
TB SPB300/8	3535	26.2
TB SPB315/8	3535	26.0
TB SPB335/8	3535	28.2

8 GROOVE		
PART NUMBER	BUSHING	WEIGHT (LBS)
TB SPB355/8	3535	27.0
TB SPB375/8	3525	28.0
TB SPB400/8	4040	36.5
TB SPB425/8	4545	52.5
TB SPB450/8	4040	40.9
TB SPB500/8	4040	45.5

8 GROOVE		
PART NUMBER	BUSHING	WEIGHT (LBS)
TB SPB560/8	4545	49.0
TB SPB630/8	4545	62.0
TB SPB710/8	4545	71.0
TB SPB800/8	4545	90.9
TB SPB900/8	4545	110.0
TB SPB1000/8	5050	132.0

10 GROOVE		
PART NUMBER	BUSHING	WEIGHT (LBS)
TB SPB224/10	3535	21.8
TB SPB236/10	3535	25.3
TB SPB250/10	3535	29.3
TB SPB280/10	3535	30.5

10 GROOVE		
PART NUMBER	BUSHING	WEIGHT (LBS)
TB SPB315/10	3535	31.5
TB SPB335/10	4040	36.0
TB SPB355/10	4040	38.0
TB SPB400/10	4040	41.0

10 GROOVE		
PART NUMBER	BUSHING	WEIGHT (LBS)
TB SPB450/10	4545	53.5
TB SPB500/10	4545	61.0
TB SPB560/10	4545	55.7
TB SPB630/10	4545	72.0

10 GROOVE		
PART NUMBER	BUSHING	WEIGHT (LBS)
TB SPB710/10	4545	80.0
TB SPB800/10	4545	102.0
TB SPB900/10	5050	126.0
TB SPB1000/10	5050	147.0

* Accommodates only metric profile 17.

ORDERING EXAMPLE:

TB SPB212/6 TB Bushing Type, SPB Belt Section, 212mm Datum Diameter, 6 Grooves

TB SHEAVES
METAL PRODUCTS



TB TAPER-LOCK SHEAVES

SPC PROFILES

METRIC V-BELT PROFILES

SPC METRIC PROFILE TAPER-LOCK SHEAVES

TB SHEAVES
METAL PRODUCTS

3 GROOVE		
PART NUMBER	BUSHING	WEIGHT (LBS)
TB SPC200/3*	2517	9.0
TB SPC212/3*	3020	10.0
TB SPC224/3	3020	11.0
TB SPC236/3	3020	12.0

3 GROOVE		
PART NUMBER	BUSHING	WEIGHT (LBS)
TB SPC250/3	3020	14.5
TB SPC265/3	3535	21.2
TB SPC280/3	3535	24.0
TB SPC300/3	3535	21.0

3 GROOVE		
PART NUMBER	BUSHING	WEIGHT (LBS)
TB SPC315/3	3535	21.6
TB SPC335/3	3535	22.5
TB SPC355/3	3535	22.9
TB SPC375/3	3535	23.8

3 GROOVE		
PART NUMBER	BUSHING	WEIGHT (LBS)
TB SPC400/3	3535	24.1
TB SPC425/3	3535	26.0
TB SPC450/3	3535	28.6
TB SPC475/3	3535	40.0

4 GROOVE		
PART NUMBER	BUSHING	WEIGHT (LBS)
TB SPC200/4*	3020	10.5
TB SPC212/4*	3020	12.5
TB SPC224/4	3535	14.0
TB SPC236/4	3535	17.2
TB SPC250/4	3535	20.7
TB SPC265/4	3535	24.0

4 GROOVE		
PART NUMBER	BUSHING	WEIGHT (LBS)
TB SPC280/4	3535	29.0
TB SPC300/4	3535	25.0
TB SPC315/4	3535	24.6
TB SPC335/4	3535	26.5
TB SPC355/4	3535	28.3
TB SPC375/4	3535	30.0

4 GROOVE		
PART NUMBER	BUSHING	WEIGHT (LBS)
TB SPC400/4	3535	28.0
TB SPC425/4	3535	31.0
TB SPC450/4	3535	33.5
TB SPC475/4	3535	47.0
TB SPC500/4	3535	39.0

4 GROOVE		
PART NUMBER	BUSHING	WEIGHT (LBS)
TB SPC560/4	4040	50.0
TB SPC630/4	4545	61.0
TB SPC425/3	3535	26.0
TB SPC450/3	3535	28.6
TB SPC475/3	3535	40.0

5 GROOVE		
PART NUMBER	BUSHING	WEIGHT (LBS)
TB SPC200/5*	3535	14.0
TB SPC212/5*	3535	15.0
TB SPC224/5	3535	16.2
TB SPC236/5	3535	19.1
TB SPC250/5	3535	22.8

5 GROOVE		
PART NUMBER	BUSHING	WEIGHT (LBS)
TB SPC265/5	3535	26.2
TB SPC280/5	3535	31.0
TB SPC300/5	3535	28.5
TB SPC315/5	3535	29.0
TB SPC335/5	3535	30.0

5 GROOVE		
PART NUMBER	BUSHING	WEIGHT (LBS)
TB SPC355/5	3535	32.5
TB SPC375/5	3535	33.0
TB SPC400/5	3535	34.0
TB SPC425/5	4040	45.0
TB SPC450/5	4040	45.0

5 GROOVE		
PART NUMBER	BUSHING	WEIGHT (LBS)
TB SPC475/5	4040	47.2
TB SPC500/5	4040	48.7
TB SPC560/5	4545	63.0
TB SPC630/5	5050	77.0

6 GROOVE		
PART NUMBER	BUSHING	WEIGHT (LBS)
TB SPC200/6*	3535	17.0
TB SPC212/6*	3535	18.0
TB SPC224/6	3535	19.0
TB SPC236/6	3535	20.8
TB SPC250/6	3535	26.0

6 GROOVE		
PART NUMBER	BUSHING	WEIGHT (LBS)
TB SPC265/6	3535	29.0
TB SPC280/6	3535	33.8
TB SPC300/6	3535	29.0
TB SPC315/6	3535	31.4
TB SPC335/6	3535	35.0

6 GROOVE		
PART NUMBER	BUSHING	WEIGHT (LBS)
TB SPC355/6	3535	36.0
TB SPC375/6	4040	45.5
TB SPC400/6	4040	51.0
TB SPC425/6	4545	58.0
TB SPC450/6	4545	61.1

6 GROOVE		
PART NUMBER	BUSHING	WEIGHT (LBS)
TB SPC475/6	4545	62.8
TB SPC500/6	4545	60.2
TB SPC560/6	5050	77.0
TB SPC630/6	5050	86.0

8 GROOVE		
PART NUMBER	BUSHING	WEIGHT (LBS)
TB SPC224/8	3535	24.9
TB SPC236/8	3535	25.5
TB SPC250/8	3535	29.7
TB SPC265/8	3535	33.3

8 GROOVE		
PART NUMBER	BUSHING	WEIGHT (LBS)
TB SPC280/8	3535	37.5
TB SPC300/8	4040	46.5
TB SPC315/8	4040	50.0
TB SPC335/8	4040	58.0

8 GROOVE		
PART NUMBER	BUSHING	WEIGHT (LBS)
TB SPC355/8	4040	67.5
TB SPC375/8	4545	68.0
TB SPC425/8	4545	74.0
TB SPC450/8	5050	78.7

8 GROOVE		
PART NUMBER	BUSHING	WEIGHT (LBS)
TB SPC475/8	5050	81.5
TB SPC500/8	5050	87.4
TB SPC560/8	5050	94.0
TB SPC630/8	5050	105.5

10 GROOVE		
PART NUMBER	BUSHING	WEIGHT (LBS)
TB SPC250/10	4040	34.0
TB SPC280/10	4040	45.0
TB SPC300/10	4545	53.5

10 GROOVE		
PART NUMBER	BUSHING	WEIGHT (LBS)
TB SPC315/10	4545	58.0
TB SPC355/10	4545	98.0

10 GROOVE		
PART NUMBER	BUSHING	WEIGHT (LBS)
TB SPC450/10	5050	101.0
TB SPC500/10	5050	127.0

10 GROOVE		
PART NUMBER	BUSHING	WEIGHT (LBS)
TB SPC560/10	5050	115.0
TB SPC630/10	5050	130.0

* Accommodates only metric profile 22.

ORDERING EXAMPLE:

TB SPB265/5 TB Bushing Type, SPB Belt Section, 265mm Datum Diameter, 5 Grooves

DST DOUBLE SPLIT TAPER-LOCK SHEAVES

CLASSICAL V-BELT PROFILES

A & B PROFILES



A CLASSICAL PROFILE DST TAPER-LOCK SHEAVES

1 GROOVE		
PART NUMBER	BUSHING	WEIGHT (LBS)
1/A30H	H	1.3
1/A32H	H	1.3
1/A34H	H	1.2
1/A39H	H	1.5
1/A41H	H	1.8
1/A44H	H	2.0
1/A46H	H	2.3
1/A49H	H	2.6

1 GROOVE		
PART NUMBER	BUSHING	WEIGHT (LBS)
1/A51H	H	2.7
1/A54H	H	2.6
1/A56H	H	2.8
1/A59H	H	3.0
1/A61H	H	3.1
1/A64H	H	3.3
1/A66H	H	3.6
1/A69H	H	3.5

1 GROOVE		
PART NUMBER	BUSHING	WEIGHT (LBS)
1/A71H	H	3.5
1/A74H	H	3.8
1/A79H	H	4.2
1/A84H	H	4.6
1/A89H	H	4.8
1/A94H	H	5.6
1/A99H	H	5.9
1/A104H	H	6.8

1 GROOVE		
PART NUMBER	BUSHING	WEIGHT (LBS)
1/A109H	H	7.1
1/A114H	H	7.5
1/A124H	H	8.0
1/A134H	H	10.7
1/A144H	H	11.1
1/A154H	H	12.5
1/A184H	H	17.3

2 GROOVE		
PART NUMBER	BUSHING	WEIGHT (LBS)
2/A30H	H	1.7
2/A32H	H	1.8
2/A34H	H	1.7
2/A39H	H	2.1
2/A41H	H	2.4
2/A44H	H	2.9

2 GROOVE		
PART NUMBER	BUSHING	WEIGHT (LBS)
2/A46H	H	3.2
2/A49H	H	3.7
2/A51H	H	3.2
2/A54H	H	3.5
2/A56H	H	3.8
2/A59H	H	4.1

2 GROOVE		
PART NUMBER	BUSHING	WEIGHT (LBS)
2/A61H	H	4.3
2/A64H	H	4.6
2/A74H	H	5.1
2/A84H	H	6.1
2/A94H	H	7.4
2/A104H	H	9.2

2 GROOVE		
PART NUMBER	BUSHING	WEIGHT (LBS)
2/A114H	H	10.0
2/A124H	H	10.9
2/A134H	H	13.1
2/A144H	H	14.6
2/A154H	H	16.2
2/A184H	H	21.6

B CLASSICAL PROFILE DST TAPER-LOCK SHEAVES

1 GROOVE		
PART NUMBER	BUSHING	WEIGHT (LBS)
1/B30H	H	1.4
1/B32H	H	1.6
1/B34H	H	1.8
1/B36H	H	1.5
1/B40H	H	1.7
1/B45H	H	2.1
1/B47H	H	2.3
1/B52H	H	3.0
1/B55H	H	3.5

1 GROOVE		
PART NUMBER	BUSHING	WEIGHT (LBS)
1/B57H	H	3.6
1/B50H	H	2.7
1/B60H	H	3.5
1/B62H	H	3.7
1/B65H	H	4.0
1/B67H	H	4.0
1/B70H	H	4.7
1/B72H	H	4.7

1 GROOVE		
PART NUMBER	BUSHING	WEIGHT (LBS)
1/B75H	H	4.7
1/B77H	H	4.8
1/B80H	H	5.3
1/B85H	H	5.5
1/B90H	H	6.0
1/B95H	H	6.7
1/B100H	H	7.1
1/B105H	H	7.5

1 GROOVE		
PART NUMBER	BUSHING	WEIGHT (LBS)
1/B110H	H	8.6
1/B115H	H	8.8
1/B120H	H	9.2
1/B130H	H	10.6
1/B140H	H	12.9
1/B150H	H	14.4
1/B160H	H	15.5
1/B190H	H	21.1

2 GROOVE		
PART NUMBER	BUSHING	WEIGHT (LBS)
2/B32H	H	2.5
2/B34H	H	2.8
2/B36H	H	2.6
2/B40H	H	3.0
2/B45H	H	3.4
2/B47H	H	3.8

2 GROOVE		
PART NUMBER	BUSHING	WEIGHT (LBS)
2/B50H	H	4.4
2/B52H	H	4.8
2/B55H	H	5.4
2/B57H	H	5.3
2/B60H	H	5.6
2/B62H	H	5.8

2 GROOVE		
PART NUMBER	BUSHING	WEIGHT (LBS)
2/B65H	H	6.4
2/B67H	H	6.7
2/B70H	H	7.2
2/B80H	H	8.3
2/B90H	H	9.8
2/B100H	H	11.5

2 GROOVE		
PART NUMBER	BUSHING	WEIGHT (LBS)
2/B110H	H	13.6
2/B120H	H	15.0
2/B130H	H	16.7
2/B140H	H	19.8
2/B160H	H	24.5
2/B190H	H	26.0

ORDERING EXAMPLE:

2/B65H QD Bushing Type, B Belt Section, 6.5 in. Outside Diameter, 2 Grooves

DST SHEAVES
METAL PRODUCTS



B CLASSICAL PROFILE QD SHEAVES

1 GROOVE						
PART NUMBER	BUSHING	TYPE	DIMENSIONS			WEIGHT (LBS)
			F	K	L	
1/B340SH	SH	D-1	7/8	0	1-5/16	1.4
1/B360SH	SH	D-1	7/8	0	1-5/16	1.6
1/B380SH	SH	D-1	7/8	0	1-5/16	1.7
1/B400SH	SH	C-1	7/8	1/16	1-5/16	1.9
1/B420SH	SH	C-1	7/8	1/16	1-5/16	2.2
1/B440SH	SH	C-1	7/8	1/16	1-5/16	2.5
1/B460SDS	SDS	C-1	7/8	1/8	1-5/16	2.5
1/B480SDS	SDS	C-1	7/8	1/8	1-5/16	2.8
1/B500SDS	SDS	C-1	7/8	1/8	1-5/16	3.1
1/B520SDS	SDS	C-1	7/8	1/8	1-5/16	3.3
1/B540SDS	SDS	C-1	7/8	1/8	1-5/16	3.7
1/B560SDS	SDS	C-1	7/8	1/8	1-5/16	4.2
1/B580SDS	SDS	C-1	7/8	1/8	1-5/16	3.9
1/B600SDS	SDS	C-2	7/8	1/8	1-5/16	4.0
1/B620SDS	SDS	C-2	7/8	1/8	1-5/16	4.2
1/B640SDS	SDS	C-2	7/8	1/8	1-5/16	4.3

1 GROOVE						
PART NUMBER	BUSHING	TYPE	DIMENSIONS			WEIGHT (LBS)
			F	K	L	
1/B660SDS	SDS	C-2	1	1/4	1-5/16	5.1
1/B680SDS	SDS	C-2	1	1/4	1-5/16	5.3
1/B700SDS	SDS	C-2	1	1/4	1-5/16	5.6
1/B740SDS	SDS	C-2	1	1/4	1-5/16	6.0
1/B800SDS	SDS	C-2	1	1/4	1-5/16	6.6
1/B860SDS	SDS	C-3	1	1/4	1-5/16	6.8
1/B940SDS	SDS	C-3	1	1/4	1-5/16	7.0
1/B1100SDS	SDS	C-3	1	1/4	1-5/16	7.4
1/B1240SDS	SDS	C-3	1	1/4	1-5/16	11.5
1/B1360SDS	SDS	C-3	1	1/4	1-5/16	12.9
1/B1540SK	SK	F-3	1	1/4	1-15/16	17.1
1/B1600SK	SK	F-3	1	1/4	1-15/16	18.6
1/B1840SK	SK	F-3	1	1/4	1-15/16	23.8
1/B2000SK	SK	F-3	1	1/4	1-15/16	27.0
1/B2500SF	SF	F-3	1	1/4	1-1/4	39.0
1/B3000SF	SF	F-3	1	1/4	1-1/4	57.0

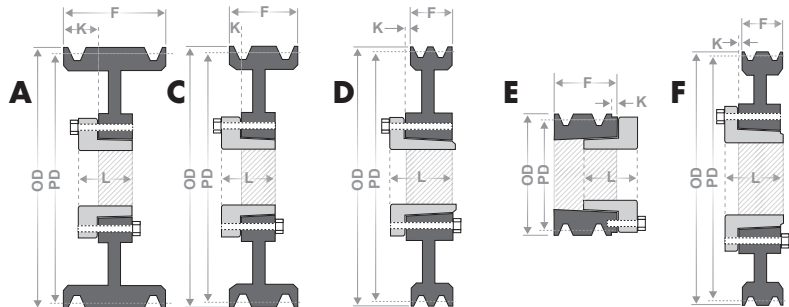
2 GROOVE						
PART NUMBER	BUSHING	TYPE	DIMENSIONS			WEIGHT (LBS)
			F	K	L	
2/B340SH*	SH	E-1	1-3/4	0	1-5/16	2.4
2/B360SH*	SH	E-1	1-3/4	0	1-5/16	2.4
2/B380SH*	SH	D-1	1-3/4	3/16	1-5/16	2.7
2/B400SH	SH	D-1	1-3/4	3/16	1-5/16	2.9
2/B420SH	SH	A-1	1-3/4	11/16	1-5/16	3.2
2/B440SH	SH	A-1	1-3/4	11/16	1-5/16	3.7
2/B460SDS	SH	A-1	1-3/4	11/16	1-5/16	4.1
2/B480SDS	SDS	A-1	1-3/4	11/16	1-5/16	4.2
2/B500SDS	SDS	A-1	1-3/4	11/16	1-5/16	4.6
2/B520SDS	SDS	A-1	1-3/4	11/16	1-5/16	5.0
2/B540SDS	SDS	A-1	1-3/4	11/16	1-5/16	5.4
2/B560SDS	SDS	A-1	1-3/4	11/16	1-5/16	5.8
2/B580SDS	SDS	A-1	1-3/4	11/16	1-5/16	6.1
2/B600SDS	SDS	A-1	1-3/4	11/16	1-5/16	6.1
2/B620SDS	SDS	A-2	1-3/4	11/16	1-5/16	6.4
2/B640SDS	SDS	A-2	1-3/4	11/16	1-5/16	6.7
2/B660SDS	SDS	A-2	1-3/4	11/16	1-5/16	7.1

2 GROOVE						
PART NUMBER	BUSHING	TYPE	DIMENSIONS			WEIGHT (LBS)
			F	K	L	
2/B680SDS	SDS	A-2	1-3/4	11/16	1-5/16	7.6
2/B700SK	SDS	A-2	1-3/4	11/16	1-5/16	7.8
2/B740SK	SK	D-2	1-3/4	7/16	1-15/16	9.5
2/B800SK	SK	D-2	1-3/4	7/16	1-15/16	10.2
2/B860SK	SK	D-2	1-3/4	7/16	1-15/16	10.8
2/B940SK	SK	D-3	1-3/4	7/16	1-15/16	13.0
2/B1100SK	SK	D-3	1-3/4	7/16	1-15/16	13.2
2/B1240SK	SK	D-3	1-3/4	7/16	1-15/16	16.4
2/B1360SK	SK	D-3	1-3/4	7/16	1-15/16	18.3
2/B1540SK	SK	D-3	1-3/4	7/16	1-15/16	20.3
2/B1600SK	SK	D-3	1-3/4	7/16	1-15/16	23.8
2/B1840SK	SK	D-3	1-3/4	7/16	1-15/16	24.3
2/B2000SF	SK	D-3	1-3/4	7/16	1-15/16	31.8
2/B2500SF	SF	D-3	1-3/4	3/8	2-1/16	33.4
2/B3000SF	SF	D-3	1-3/4	3/8	2-1/16	45.0
2/B3800SF	SF	D-3	1-3/4	3/8	2-1/16	71.2

TYPE:
A, C, D, E, F (see diagram)
1 = Solid **2** = Web **3** = Spoke
DIMENSIONS: See Diagram

ORDERING EXAMPLE:
2/B680SDS 2 Grooves, B Belt Section, 6.8 in. Pitch Diameter, SDS Bushing Size Required

* Can only be mounted in one direction.





B CLASSICAL PROFILE QD SHEAVES

3 GROOVE						
PART NUMBER	BUSHING	TYPE	DIMENSIONS			WEIGHT (LBS)
			F	K	L	
3/B340SH*	SH	E-1	2-1/2	0	1-5/16	3.3
3/B360SH*	SH	D-1	2-1/2	3/16	1-5/16	3.6
3/B380SH*	SH	D-1	2-1/2	3/16	1-5/16	3.8
3/B400SH	SH	A-1	2-1/2	1-1/16	1-5/16	4.2
3/B420SH	SH	A-1	2-1/2	1-1/16	1-5/16	4.8
3/B440SH	SH	A-1	2-1/2	1-1/16	1-5/16	5.3
3/B460SD	SD	A-1	2-1/2	1-1/16	1-13/16	6.0
3/B480SD	SD	A-1	2-1/2	1-1/16	1-13/16	6.5
3/B500SD	SD	A-1	2-1/2	1-1/16	1-13/16	7.2
3/B520SD	SD	A-1	2-1/2	1-1/16	1-13/16	7.8
3/B540SD	SD	A-1	2-1/2	1-1/16	1-13/16	8.4
3/B560SD	SD	A-1	2-1/2	1-1/16	1-13/16	9.0
3/B580SD	SD	A-1	2-1/2	1-1/16	1-13/16	9.7
3/B600SD	SD	A-1	2-1/2	1-1/16	1-13/16	8.9
3/B620SD	SD	A-2	2-1/2	1-1/16	1-13/16	9.4
3/B640SD	SD	A-2	2-1/2	1-1/16	1-13/16	9.7
3/B660SD	SD	A-2	2-1/2	1-1/16	1-13/16	10.0

3 GROOVE						
PART NUMBER	BUSHING	TYPE	DIMENSIONS			WEIGHT (LBS)
			F	K	L	
3/B680SD	SD	A-2	2-1/2	1-1/16	1-13/16	11.1
3/B700SK	SK	A-2	2-1/2	11/16	1-15/16	11.4
3/B740SK	SK	A-2	2-1/2	11/16	1-15/16	12.5
3/B800SK	SK	A-2	2-1/2	11/16	1-15/16	13.6
3/B860SK	SK	A-3	2-1/2	11/16	1-15/16	14.6
3/B940SK	SK	A-3	2-1/2	11/16	1-15/16	16.6
3/B1100SK	SK	A-3	2-1/2	11/16	1-15/16	20.8
3/B1240SK	SK	A-3	2-1/2	11/16	1-15/16	22.5
3/B1360SK	SK	A-3	2-1/2	11/16	1-15/16	25.3
3/B1540SK	SK	A-3	2-1/2	11/16	1-15/16	29.8
3/B1600SK	SK	A-3	2-1/2	11/16	1-15/16	30.3
3/B1840SK	SK	A-3	2-1/2	11/16	1-15/16	39.1
3/B2000SF	SF	D-3	2-1/2	5/8	2-1/16	43.0
3/B2500SF	SF	D-3	2-1/2	5/8	2-1/16	56.0
3/B3000SF	SF	D-3	2-1/2	5/8	2-1/16	77.0
3/B3800SH	E	D-3	2-1/2	5/8	2-3/4	115.0

4 GROOVE						
PART NUMBER	BUSHING	TYPE	DIMENSIONS			WEIGHT (LBS)
			F	K	L	
4/B340SD*	SD	E-1	3-1/4	5/16	1-13/16	4.3
4/B360SD*	SD	E-1	3-1/4	5/16	1-13/16	4.8
4/B380SD*	SD	E-1	3-1/4	5/16	1-13/16	5.2
4/B400SD*	SD	E-1	3-1/4	0	1-13/16	5.6
4/B420SD*	SD	E-1	3-1/4	0	1-13/16	6.2
4/B440SD*	SD	E-1	3-1/4	0	1-13/16	6.6
4/B460SD	SD	A-1	3-1/4	1-5/16	1-13/16	7.2
4/B480SD	SD	A-1	3-1/4	1-5/16	1-13/16	7.9
4/B500SD	SD	A-1	3-1/4	1-5/16	1-13/16	8.4
4/B520SD	SD	A-1	3-1/4	1-5/16	1-13/16	9.2
4/B540SD	SD	A-1	3-1/4	1-5/16	1-13/16	9.8
4/B560SD	SD	A-1	3-1/4	1-5/16	1-13/16	10.7
4/B580SD	SD	A-1	3-1/4	1-5/16	1-13/16	11.4
4/B600SD	SD	A-1	3-1/4	1-5/16	1-13/16	10.9
4/B620SD	SD	A-2	3-1/4	1-5/16	1-13/16	11.3
4/B640SD	SD	A-2	3-1/4	1-5/16	1-13/16	11.7
4/B660SD	SD	A-2	3-1/4	1-5/16	1-13/16	12.2

4 GROOVE						
PART NUMBER	BUSHING	TYPE	DIMENSIONS			WEIGHT (LBS)
			F	K	L	
4/B680SD	SD	A-2	3-1/4	1-5/16	1-13/16	13.0
4/B700SK	SK	A-2	3-1/4	1	1-15/16	13.7
4/B740SK	SK	A-2	3-1/4	1	1-15/16	14.8
4/B800SK	SK	A-2	3-1/4	1	1-15/16	16.3
4/B860SK	SK	A-3	3-1/4	1	1-15/16	17.7
4/B940SK	SK	A-3	3-1/4	1	1-15/16	19.7
4/B1100SK	SK	A-3	3-1/4	1	1-15/16	25.2
4/B1240SK	SK	A-3	3-1/4	1	1-15/16	28.4
4/B1360SK	SK	A-3	3-1/4	1	1-15/16	31.3
4/B1540SF	SF	A-3	3-1/4	1	2-1/16	37.6
4/B1600SF	SF	A-3	3-1/4	1	2-1/16	38.6
4/B1840SF	SF	A-3	3-1/4	1	2-1/16	45.2
4/B2000SF	SF	A-3	3-1/4	1	2-1/16	52.0
4/B2500E	E	A-3	A-3	1	2-3/4	72.0
4/B3000E	E	A-3	A-3	1	2-3/4	97.0
4/B3800E	E	A-3	A-3	1	2-3/4	151.1

TYPE:

A, D, E, F (see diagram)

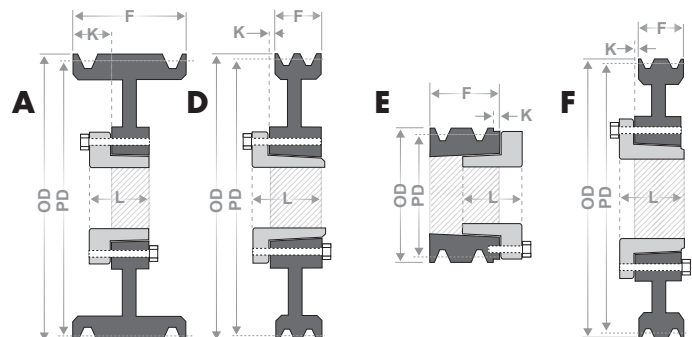
1 = Solid **2** = Web **3** = Spoke

DIMENSIONS: See Diagram

ORDERING EXAMPLE:

3/B2500SF 3 Grooves, B Belt Section, 25.0 in. Pitch Diameter, SF Bushing Size Required

* Can only be mounted in one direction.



QD SHEAVES
METAL PRODUCTS



B CLASSICAL PROFILE QD SHEAVES

5 GROOVE						
PART NUMBER	BUSHING	TYPE	DIMENSIONS			WEIGHT (LBS)
			F	K	L	
5/B340SD*	SD	E-1	4	5/16	1-13/16	5.2
5/B360SD*	SD	E-1	4	5/16	1-13/16	5.7
5/B380SD*	SD	E-1	4	5/16	1-13/16	6.2
5/B400SD*	SD	E-1	4	0	1-13/16	6.5
5/B420SD*	SD	E-1	4	0	1-13/16	7.1
5/B440SD*	SD	E-1	4	0	1-13/16	7.8
5/B460SD	SD	A-1	4	1-5/16	1-13/16	8.5
5/B480SD	SD	A-1	4	1-5/16	1-13/16	9.2
5/B500SD	SD	A-1	4	1-5/16	1-13/16	9.9
5/B520SD	SD	A-1	4	1-5/16	1-13/16	10.9
5/B540SK	SK	A-1	4	1-5/16	1-15/16	10.5
5/B560SK	SK	A-1	4	1-5/16	1-15/16	11.4
5/B580SK	SK	A-1	4	1-5/16	1-15/16	12.3
5/B600SK	SK	A-1	4	1-5/16	1-15/16	12.8
5/B620SK	SK	A-1	4	1-5/16	1-15/16	13.6
5/B640SK	SK	A-1	4	1-5/16	1-15/16	14.6
5/B660SK	SK	A-1	4	1-5/16	1-15/16	15.9

6 GROOVE						
PART NUMBER	BUSHING	TYPE	DIMENSIONS			WEIGHT (LBS)
			F	K	L	
6/B340SD*	SD	E-1	4-3/4	5/16	1-13/16	5.8
6/B360SD*	SD	E-1	4-3/4	5/16	1-13/16	6.8
6/B380SD*	SD	E-1	4-3/4	5/16	1-13/16	7.1
6/B400SD*	SD	E-1	4-3/4	0	1-13/16	7.7
6/B420SD*	SD	E-1	4-3/4	0	1-13/16	8.6
6/B440SD*	SD	E-1	4-3/4	0	1-13/16	9.3
6/B460SD	SD	A-1	4-3/4	1-3/16	1-13/16	9.8
6/B480SD	SD	A-1	4-3/4	1-3/16	1-13/16	10.8
6/B500SD	SD	A-1	4-3/4	1-3/16	1-13/16	11.0
6/B520SD	SD	A-1	4-3/4	1-3/16	1-13/16	12.0
6/B540SK	SK	A-1	4-3/4	1-5/16	1-15/16	12.5
6/B560SK	SK	A-1	4-3/4	1-5/16	1-15/16	13.3
6/B580SK	SK	A-1	4-3/4	1-5/16	1-15/16	14.1
6/B600SK	SK	A-1	4-3/4	1-5/16	1-15/16	15.4
6/B620SK	SK	A-1	4-3/4	1-5/16	1-15/16	16.4
6/B640SK	SK	A-1	4-3/4	1-5/16	1-15/16	17.3
6/B660SK	SK	A-1	4-3/4	1-5/16	1-15/16	17.9

TYPE:

A, E (see diagram)

1 = Solid **2** = Web **3** = Spoke

DIMENSIONS: See Diagram

ORDERING EXAMPLE:

5/B700SF 5 Grooves, B Belt Section, 7.0 in. Pitch Diameter, SF Bushing Size Required

* Can only be mounted in one direction.

5 GROOVE						
PART NUMBER	BUSHING	TYPE	DIMENSIONS			WEIGHT (LBS)
			F	K	L	
5/B680SK	SK	A-1	4	1-5/16	1-15/16	16.7
5/B700SF	SF	A-1	4	1-5/16	2-1/16	17.1
5/B740SF	SF	A-1	4	1-5/16	2-1/16	18.7
5/B800SF	SF	A-2	4	1-5/16	2-1/16	19.3
5/B860SF	SF	A-2	4	1-5/16	2-1/16	21.6
5/B940SF	SF	A-2	4	1-5/16	2-1/16	24.0
5/B1100SF	SF	A-3	4	1-5/16	2-1/16	28.7
5/B1240SF	SF	A-3	4	1-5/16	2-1/16	33.8
5/B1360SF	SF	A-3	4	1-5/16	2-1/16	37.0
5/B1540SF	SF	A-3	4	1-5/16	2-1/16	43.0
5/B1600SF	SF	A-3	4	1-5/16	2-1/16	48.0
5/B1840SF	SF	A-3	4	1-5/16	2-1/16	51.8
5/B2000E	E	A-3	4	1-1/4	2-3/4	62.0
5/B2500E	E	A-3	4	1-1/4	2-3/4	85.0
5/B3000E	E	A-3	4	1-1/4	2-3/4	85.0
5/B3800E	E	A-3	4	1-1/4	2-3/4	159.0

6 GROOVE						
PART NUMBER	BUSHING	TYPE	DIMENSIONS			WEIGHT (LBS)
			F	K	L	
6/B680SK	SK	A-1	4-3/4	1-5/16	1-15/16	19.3
6/B700SF	SF	A-1	4-3/4	1-11/16	2-1/16	19.8
6/B740SF	SF	A-2	4-3/4	1-11/16	2-1/16	22.4
6/B800SF	SF	A-2	4-3/4	1-11/16	2-1/16	25.4
6/B860SF	SF	A-2	4-3/4	1-11/16	2-1/16	25.7
6/B940SF	SF	A-2	4-3/4	1-11/16	2-1/16	27.9
6/B1100SF	SF	A-3	4-3/4	1-11/16	2-1/16	33.1
6/B1240SF	SF	A-3	4-3/4	1-11/16	2-1/16	37.5
6/B1360SF	SF	A-3	4-3/4	1-11/16	2-1/16	42.0
6/B1540SF	SF	A-3	4-3/4	1-11/16	2-1/16	49.0
6/B1600SF	SF	A-3	4-3/4	1-11/16	2-1/16	48.8
6/B1840SF	SF	A-3	4-3/4	1-11/16	2-1/16	60.0
6/B2000E	E	A-3	4-3/4	1-3/8	2-3/4	72.0
6/B2500E	E	A-3	4-3/4	1-3/8	2-3/4	94.0
6/B3000E	E	A-3	4-3/4	1-3/8	2-3/4	131.0
6/B3800E	E	A-3	4-3/4	1-3/8	2-3/4	183.0

QD SHEAVES
METAL PRODUCTS



B CLASSICAL PROFILE QD SHEAVES

8 GROOVE						
PART NUMBER	BUSHING	TYPE	DIMENSIONS			WEIGHT (LBS)
			F	K	L	
B540/8SK	SK	A-1	6-1/4	1-13/16	1-15/16	15.5
B560/8SK	SK	A-1	6-1/4	1-13/16	1-15/16	16.6
B580/8SK	SK	A-1	6-1/4	1-13/16	1-15/16	17.1
B600/8SK	SK	A-1	6-1/4	1-13/16	1-15/16	18.7
B620/8SF	SF	A-1	6-1/4	1-13/16	2-1/16	19.3
B640/8SF	SF	A-1	6-1/4	1-13/16	2-1/16	20.3
B660/8SF	SF	A-1	6-1/4	1-13/16	2-1/16	21.3
B680/8SF	SF	A-1	6-1/4	1-13/16	2-1/16	22.9
B700/8SF	SF	A-1	6-1/4	1-13/16	2-1/16	24.7
B740/8SF	SF	A-1	6-1/4	1-13/16	2-1/16	26.5
B860/8E	E	A-1	6-1/4	2-3/8	2-3/4	35.3

8 GROOVE						
PART NUMBER	BUSHING	TYPE	DIMENSIONS			WEIGHT (LBS)
			F	K	L	
B940/8E	E	A-1	6-1/4	2-3/8	2-3/4	41.9
B1100/8E	E	A-2	6-1/4	2-3/8	2-3/4	44.9
B1240/8E	E	A-3	6-1/4	2-3/8	2-3/4	52.0
B1360/8E	E	A-3	6-1/4	2-3/8	2-3/4	55.0
B1540/8E	E	A-3	6-1/4	2-3/8	2-3/4	61.0
B1600/8E	E	A-3	6-1/4	2-3/8	2-3/4	64.0
B1840/8F	F	A-3	6-1/4	1-5/16	3-3/4	82.0
B2000/8F	F	A-3	6-1/4	1-5/16	3-3/4	93.0
B2500/8F	F	A-3	6-1/4	1-5/16	3-3/4	116.0
B3000/8F	F	A-3	6-1/4	1-5/16	3-3/4	157.0
B3800/8F	F	A-3	6-1/4	1-5/16	3-3/4	216.0

10 GROOVE						
PART NUMBER	BUSHING	TYPE	DIMENSIONS			WEIGHT (LBS)
			F	K	L	
B540/10SK	SK	A-1	7-3/4	2-9/16	1-15/16	18.5
B560/10SK	SK	A-1	7-3/4	2-9/16	1-15/16	19.8
B580/10SK	SK	A-1	7-3/4	2-9/16	1-15/16	21.2
B600/10SK	SK	A-1	7-3/4	2-9/16	1-15/16	22.3
B620/10SF	SF	A-1	7-3/4	2-9/16	2-1/16	22.8
B640/10SF	SF	A-1	7-3/4	2-9/16	2-1/16	24.2
B660/10SF	SF	A-1	7-3/4	2-9/16	2-1/16	25.6
B680/10SF	SF	A-1	7-3/4	2-9/16	2-1/16	26.8
B700/10SF	SF	A-1	7-3/4	2-9/16	2-1/16	28.3
B740/10SF	SF	A-1	7-3/4	2-9/16	2-1/16	31.4
B860/10E	E	A-1	7-3/4	3-1/8	2-3/4	41.0

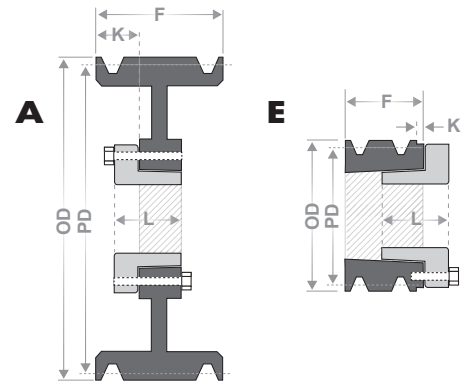
10 GROOVE						
PART NUMBER	BUSHING	TYPE	DIMENSIONS			WEIGHT (LBS)
			F	K	L	
B940/10E	E	A-2	7-3/4	3-1/8	2-3/4	47.8
B1100/10E	E	A-2	7-3/4	3-1/8	2-3/4	58.0
B1240/10E	E	A-3	7-3/4	3-1/8	2-3/4	65.0
B1360/10F	F	A-3	7-3/4	2-1/16	3-3/4	80.0
B1540/10F	F	A-3	7-3/4	2-1/16	3-3/4	87.0
B1600/10F	F	A-3	7-3/4	2-1/16	3-3/4	89.0
B1840/10F	F	A-3	7-3/4	2-1/16	3-3/4	102.0
B2000/10F	F	A-3	7-3/4	2-1/16	3-3/4	112.0
B2500/10F	F	A-3	7-3/4	2-1/16	3-3/4	148.0
B3000/10F	F	A-3	7-3/4	2-1/16	3-3/4	188.0
B3800/10J	J	A-3	7-3/4	1-9/16	4-5/8	291.0

TYPE:
A (see diagram)
1 = Solid **2** = Web **3** = Spoke

DIMENSIONS: See Diagram

ORDERING EXAMPLE:

10/B1540F 10 Grooves, B Belt Section, 15.4 in. Pitch Diameter, F Bushing Size Required



QD SHEAVES
METAL PRODUCTS



C CLASSICAL PROFILE QD SHEAVES

1 GROOVE						
PART NUMBER	BUSHING	TYPE	DIMENSIONS			WEIGHT (LBS)
			F	K	L	
1/C600SK	SK	C-1	1 3/8	1/8	1 15/16	8.7
1/C700SF	SF	C-1	1 3/8	1/8	2 1/16	9.7
1/C750SF	SF	C-1	1 3/8	1/8	2 1/16	11.4
1/C800SF	SF	C-1	1 3/8	1/8	2 1/16	13.0
1/C850SF	SF	C-2	1 3/8	1/8	2 1/16	12.6
1/C900SF	SF	C-2	1 3/8	1/8	2 1/16	12.8
1/C950SF	SF	C-2	1 3/8	1/8	2 1/16	13.3
1/C1000SF	SF	C-2	1 3/8	1/8	2 1/16	14.2
1/C1050SF	SF	C-3	1 3/8	1/8	2 1/16	15.2

1 GROOVE						
PART NUMBER	BUSHING	TYPE	DIMENSIONS			WEIGHT (LBS)
			F	K	L	
1/C1100SF	SF	C-3	1 3/8	1/8	2 1/16	16.2
1/C1200SF	SF	C-3	1 3/8	1/8	2 1/16	18.6
1/C1300SF	SF	C-3	1 3/8	1/8	2 1/16	19.1
1/C1400SF	SF	C-3	1 3/8	1/8	2 1/16	20.3
1/C1500SF	SF	C-3	1 3/8	1/8	2 1/16	22.0
1/C1600SF	SF	C-3	1 3/8	1/8	2 1/16	23.5
1/C1800SF	SF	C-3	1 3/8	1/8	2 1/16	27.8
1/C2000SF	SF	C-3	1 3/8	1/8	2 1/16	31.8
1/C2400SF	SF	C-3	1 3/8	1/8	2 1/16	41.2

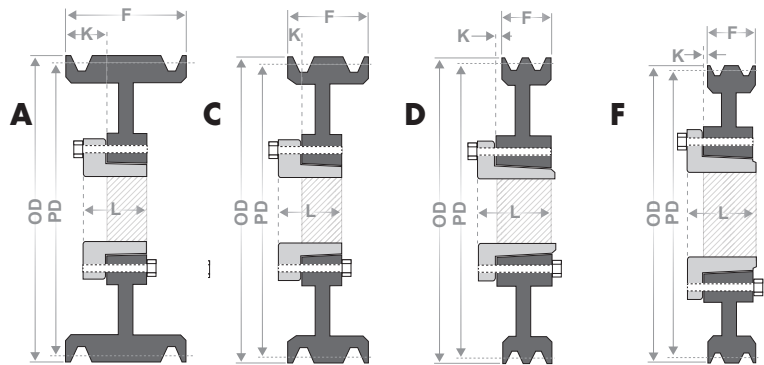
2 GROOVE						
PART NUMBER	BUSHING	TYPE	DIMENSIONS			WEIGHT (LBS)
			F	K	L	
2/C600SF	SF	A-1	2 3/8	7/8	1 15/16	11.4
2/C700SF	SF	A-1	2 3/8	13/16	2 1/16	12.4
2/C750SF	SF	A-1	2 3/8	13/16	2 1/16	14.4
2/C800SF	SF	A-1	2 3/8	13/16	2 1/16	16.3
2/C850SF	SF	A-2	2 3/8	13/16	2 1/16	16.6
2/C900SF	SF	A-2	2 3/8	13/16	2 1/16	17.3
2/C950SF	SF	A-2	2 3/8	13/16	2 1/16	18.1
2/C1000SF	SF	A-2	2 3/8	13/16	2 1/16	19.4
2/C1050SF	SF	A-3	2 3/8	13/16	2 1/16	20.6
2/C1100SF	SF	A-3	2 3/8	13/16	2 1/16	22.0

2 GROOVE						
PART NUMBER	BUSHING	TYPE	DIMENSIONS			WEIGHT (LBS)
			F	K	L	
2/C1200SF	SF	D-3	2 3/8	9/16	2 1/16	24.2
2/C1300SF	SF	D-3	2 3/8	9/16	2 1/16	27.8
2/C1400SF	SF	D-3	2 3/8	9/16	2 1/16	30.1
2/C1500SF	SF	D-3	2 3/8	9/16	2 1/16	32.0
2/C1600SF	SF	D-3	2 3/8	9/16	2 1/16	34.9
2/C1800SF	SF	D-3	2 3/8	9/16	2 1/16	40.9
2/C2000SF	SF	D-3	2 3/8	9/16	2 1/16	42.1
2/C2400SF	SF	D-3	2 3/8	9/16	2 1/16	56.7
2/C2700F	F	F-3	2 3/8	1/8	3 3/4	79.4
2/C3000F	F	F-3	2 3/8	1/8	3 3/4	82.4

QD SHEAVES
METAL PRODUCTS

TYPE:
A, C, D, F (see diagram)
1 = Solid 2 = Web 3 = Spoke
DIMENSIONS: See Diagram

ORDERING EXAMPLE:
2/C1500SF 2 Grooves, C Belt Section, 15 in. Pitch Diameter, SF Bushing Size Required





C CLASSICAL PROFILE QD SHEAVES

3 GROOVE						
PART NUMBER	BUSHING	TYPE	DIMENSIONS			WEIGHT (LBS)
			F	K	L	
3/C500SD	SD	A-1	3 3/8	1 1/4	1 13/16	8.4
3/C540SD	SD	A-1	3 3/8	1 5/16	1 13/16	10.4
3/C550SD	SD	A-1	3 3/8	1 5/16	1 13/16	10.9
3/C560SD	SD	A-1	3 3/8	1 5/16	1 13/16	11.2
3/C600SF	SF	A-1	3 3/8	7/8	1 15/16	10.1
3/C700SF	SF	A-1	3 3/8	1 5/16	2 1/16	15.9
3/C750SF	SF	A-1	3 3/8	1 5/16	2 1/16	18.0
3/C800E	E	B-1	3 3/8	1 3/4	2 3/4	20.9
3/C850E	E	B-1	3 3/8	1 3/4	2 3/4	24.5
3/C900E	E	B-1	3 3/8	1 3/4	2 3/4	27.1
3/C950E	E	B-1	3 3/8	1 3/4	2 3/4	29.1
3/C1000E	E	B-2	3 3/8	1 3/4	2 3/4	30.1
3/C1050E	E	B-2	3 3/8	1 3/4	2 3/4	30.8
3/C1100E	E	B-3	3 3/8	1 3/4	2 3/4	32.9

3 GROOVE						
PART NUMBER	BUSHING	TYPE	DIMENSIONS			WEIGHT (LBS)
			F	K	L	
3/C1200E	E	B-3	3 3/8	1 3/4	2 3/4	38.4
3/C1300E	E	B-3	3 3/8	1 3/4	2 3/4	42.4
3/C1400E	E	B-3	3 3/8	1 3/4	2 3/4	41.7
3/C1500E	E	B-3	3 3/8	1 3/4	2 3/4	45.0
3/C1600E	E	B-3	3 3/8	1 3/4	2 3/4	49.8
3/C1800E	E	B-3	3 3/8	1 3/4	2 3/4	58.6
3/C2000E	E	A-3	3 3/8	1	2 3/4	62.6
3/C2400E	E	A-3	3 3/8	1	2 3/4	78.7
3/C2700F	F	C-3	3 3/8	7/8	3 3/4	103.0
3/C3000F	F	C-3	3 3/8	7/8	3 3/4	115.4
3/C3600F	F	C-3	3 3/8	7/8	3 3/4	161.7
3/C4400F	F	C-3	3 3/8	13/16	3 3/4	242.8
3/C5000F	F	C-3	3 3/8	13/16	3 3/4	275.0

4 GROOVE						
PART NUMBER	BUSHING	TYPE	DIMENSIONS			WEIGHT (LBS)
			F	K	L	
4/C500SD	SD	A-1	4 3/8	1 1/4	1 13/16	10.2
4/C540SD	SD	A-1	4 3/8	1 5/16	1 13/16	11.8
4/C550SD	SD	A-1	4 3/8	1 5/16	1 13/16	13.5
4/C560SD	SD	A-1	4 3/8	1 5/16	1 13/16	13.9
4/C600SF	SF	A-1	4 3/8	7/8	1 15/16	12.0
4/C700SF	SF	A-1	4 3/8	1 9/16	2 1/16	18.0
4/C750SF	SF	A-1	4 3/8	1 9/16	2 1/16	20.5
4/C800E	E	A-1	4 3/8	2	2 3/4	24.0
4/C850E	E	A-1	4 3/8	2	2 3/4	27.3
4/C900E	E	A-1	4 3/8	2	2 3/4	30.7
4/C950E	E	A-1	4 3/8	2	2 3/4	34.9
4/C1000E	E	A-2	4 3/8	2	2 3/4	38.1
4/C1050E	E	A-2	4 3/8	2	2 3/4	35.8
4/C1100E	E	A-3	4 3/8	2	2 3/4	38.4

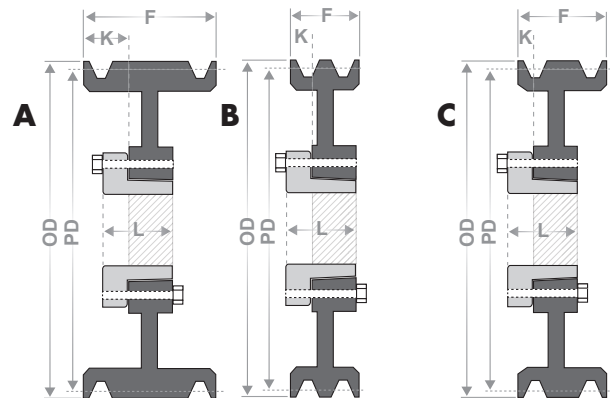
4 GROOVE						
PART NUMBER	BUSHING	TYPE	DIMENSIONS			WEIGHT (LBS)
			F	K	L	
4/C1200E	E	A-3	4 3/8	2	2 3/4	43.6
4/C1300E	E	A-3	4 3/8	2	2 3/4	49.4
4/C1400E	E	A-3	4 3/8	2	2 3/4	50.7
4/C1500E	E	A-3	4 3/8	2	2 3/4	52.0
4/C1600E	E	A-3	4 3/8	2	2 3/4	60.2
4/C1800E	E	A-3	4 3/8	2	2 3/4	68.6
4/C2000E	E	A-3	4 3/8	1 1/2	2 3/4	76.9
4/C2400F	F	A-3	4 3/8	1 5/16	3 3/4	100.4
4/C2700F	F	A-3	4 3/8	1 5/16	3 3/4	116.8
4/C3000F	F	A-3	4 3/8	1 5/16	3 3/4	136.1
4/C3600F	F	A-3	4 3/8	1 5/16	3 3/4	194.2
4/C4400J	J	A-3	4 3/8	1 9/16	4 5/8	270.4
4/C5000J	J	A-3	4 3/8	1 9/16	4 5/8	337.4

TYPE:
A, B, C (see diagram)
1 = Solid **2** = Web **3** = Spoke

DIMENSIONS: See Diagram

ORDERING EXAMPLE:

3/C2400E 3 Grooves, C Belt Section, 24 in. Pitch Diameter, E Bushing Size Required



QD SHEAVES
METAL PRODUCTS



C CLASSICAL PROFILE QD SHEAVES

5 GROOVE						
PART NUMBER	BUSHING	TYPE	DIMENSIONS			WEIGHT (LBS)
			F	K	L	
5/C600SF	SF	A-1	5 3/8	7/8	1 15/16	12.5
5/C700SF	SF	A-1	5 3/8	1 15/16	2 1/16	20.8
5/C750SF	SF	A-1	5 3/8	1 15/16	2 1/16	23.6
5/C800E	E	A-1	5 3/8	2 3/8	2 3/4	27.3
5/C850E	E	A-1	5 3/8	2 3/8	2 3/4	30.8
5/C900E	E	A-1	5 3/8	2 3/8	2 3/4	34.5
5/C950E	E	A-1	5 3/8	2 3/8	2 3/4	39.1
5/C1000E	E	A-2	5 3/8	2 3/8	2 3/4	42.4
5/C1050E	E	A-2	5 3/8	2 3/8	2 3/4	40.4
5/C1100E	E	A-3	5 3/8	2 3/8	2 3/4	43.1
5/C1200E	E	A-3	5 3/8	2 3/8	2 3/4	48.8
5/C1300E	E	A-3	5 3/8	2 3/8	2 3/4	55.1

5 GROOVE						
PART NUMBER	BUSHING	TYPE	DIMENSIONS			WEIGHT (LBS)
			F	K	L	
5/C1400E	E	A-3	5 3/8	2 3/8	2 3/4	57.2
5/C1500E	E	A-3	5 3/8	2 3/8	2 3/4	68.2
5/C1600E	E	A-3	5 3/8	2 3/8	2 3/4	71.2
5/C1800E	E	A-3	5 3/8	2 3/8	2 3/4	79.1
5/C2000F	F	A-3	5 3/8	1 5/16	3 3/4	96.5
5/C2400F	F	A-3	5 3/8	1 5/16	3 3/4	106.7
5/C2700F	F	A-3	5 3/8	1 5/16	3 3/4	129.2
5/C3000F	F	A-3	5 3/8	1 5/16	3 3/4	160.8
5/C3600J	J	A-3	5 3/8	1 9/16	4 5/8	220.3
5/C4400J	J	A-3	5 3/8	1 9/16	4 5/8	293.2
5/C5000J	J	A-3	5 3/8	1 9/16	4 5/8	275.0

6 GROOVE						
PART NUMBER	BUSHING	TYPE	DIMENSIONS			WEIGHT (LBS)
			F	K	L	
6/C600SF	SF	A-1	6 3/8	7/8	1 15/16	14.0
6/C700SF	SF	A-1	6 3/8	1 15/16	2 1/16	23.6
6/C750SF	SF	A-1	6 3/8	1 15/16	2 1/16	26.6
6/C800E	E	A-1	6 3/8	2 3/8	2 3/4	30.6
6/C850E	E	A-1	6 3/8	2 3/8	2 3/4	34.4
6/C900F	F	A-1	6 3/8	1 7/16	3 3/4	43.0
6/C950F	F	A-1	6 3/8	1 7/16	3 3/4	49.1
6/C1000F	F	A-1	6 3/8	1 7/16	3 3/4	54.0
6/C1050F	F	A-1	6 3/8	1 7/16	3 3/4	60.0
6/C1100F	F	A-2	6 3/8	1 7/16	3 3/4	66.2
6/C1200F	F	A-2	6 3/8	1 7/16	3 3/4	62.5
6/C1300F	F	A-3	6 3/8	1 7/16	3 3/4	70.0

6 GROOVE						
PART NUMBER	BUSHING	TYPE	DIMENSIONS			WEIGHT (LBS)
			F	K	L	
6/C1400F	F	A-3	6 3/8	1 7/16	3 3/4	73.0
6/C1500F	F	A-3	6 3/8	1 7/16	3 3/4	75.0
6/C1600F	F	A-3	6 3/8	1 7/16	3 3/4	87.7
6/C1800F	F	A-3	6 3/8	1 7/16	3 3/4	98.3
6/C2000F	F	A-3	6 3/8	1 15/16	3 3/4	109.8
6/C2400F	F	A-3	6 3/8	1 15/16	3 3/4	122.1
6/C2700J	J	A-3	6 3/8	1 9/16	4 5/8	158.8
6/C3000J	J	A-3	6 3/8	1 9/16	4 5/8	192.8
6/C3600J	J	A-3	6 3/8	1 9/16	4 5/8	254.5
6/C4400J	J	A-3	6 3/8	1 9/16	4 5/8	315.0
6/C5000M	M	A-3	6 3/8	1 15/16	6 3/4	325.0

QD SHEAVES
METAL PRODUCTS

TYPE:

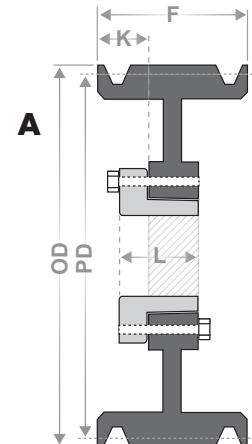
A (see diagram)

1 = Solid **2** = Web **3** = Spoke

DIMENSIONS: See Diagram

ORDERING EXAMPLE:

6/C2700J 6 Grooves, C Belt Section, 27 in. Pitch Diameter, J Bushing Size Required





C CLASSICAL PROFILE QD SHEAVES

8 GROOVE						
PART NUMBER	BUSHING	TYPE	DIMENSIONS			WEIGHT (LBS)
			F	K	L	
8/C700SF	SF	A-1	8 3/8	3 1/8	2 1/16	29.2
8/C800E	E	A-1	8 3/8	3 1/4	2 3/4	37.3
8/C850E	E	A-1	8 3/8	3 1/4	2 3/4	41.5
8/C900F	F	A-1	8 3/8	3 5/16	3 3/4	50.5
8/C950F	F	A-1	8 3/8	3 5/16	3 3/4	57.6
8/C1000F	F	A-1	8 3/8	3 5/16	3 3/4	62.6
8/C1050F	F	A-1	8 3/8	3 5/16	3 3/4	69.0
8/C1100F	F	A-1	8 3/8	3 5/16	3 3/4	75.6
8/C1200F	F	A-2	8 3/8	3 5/16	3 3/4	72.9
8/C1300F	F	A-2	8 3/8	3 5/16	3 3/4	81.3
8/C1400F	F	A-2	8 3/8	3 5/16	3 3/4	88.0

8 GROOVE						
PART NUMBER	BUSHING	TYPE	DIMENSIONS			WEIGHT (LBS)
			F	K	L	
8/C1500F	F	A-2	8 3/8	3 5/16	3 3/4	105.0
8/C1600F	F	A-3	8 3/8	3 5/16	3 3/4	108.6
8/C1800F	F	A-3	8 3/8	3 5/16	3 3/4	123.3
8/C2000J	J	A-3	8 3/8	1 9/16	4 5/8	146.5
8/C2400J	J	A-3	8 3/8	1 9/16	4 5/8	173.4
8/C2700J	J	A-3	8 3/8	1 9/16	4 5/8	226.3
8/C3000J	J	A-3	8 3/8	1 9/16	4 5/8	240.0
8/C3600M	M	A-3	8 3/8	1 15/16	6 3/4	355.3
8/C4400M	M	C-3	8 3/8	1 15/16	6 3/4	452.0
8/C5000M	M	C-3	8 3/8	1 15/16	6 3/4	546.1

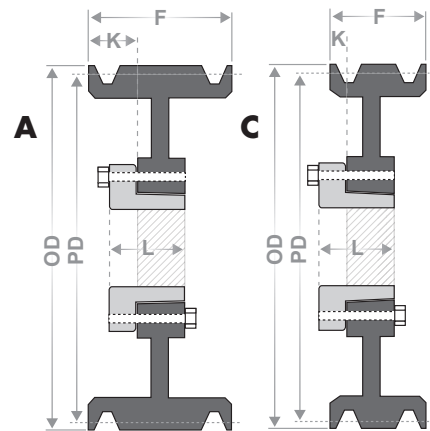
10 GROOVE						
PART NUMBER	BUSHING	TYPE	DIMENSIONS			WEIGHT (LBS)
			F	K	L	
10/C800E	E	A-1	10 3/8	3 1/4	2 3/4	43.9
10/C850E	E	A-1	10 3/8	3 1/4	2 3/4	48.6
10/C900J	J	A-1	10 3/8	3 9/16	4 5/8	59.6
10/C950J	J	A-1	10 3/8	3 9/16	4 5/8	67.8
10/C1000J	J	A-1	10 3/8	3 9/16	4 5/8	74.1
10/C1050J	J	A-1	10 3/8	3 9/16	4 5/8	82.2
10/C1100J	J	A-1	10 3/8	3 9/16	4 5/8	90.6
10/C1200J	J	A-1	10 3/8	3 9/16	4 5/8	108.4
10/C1300J	J	A-2	10 3/8	3 9/16	4 5/8	136.0

10 GROOVE						
PART NUMBER	BUSHING	TYPE	DIMENSIONS			WEIGHT (LBS)
			F	K	L	
10/C1400J	J	A-2	10 3/8	3 9/16	4 5/8	110.8
10/C1600J	J	A-3	10 3/8	3 9/16	4 5/8	141.3
10/C1800J	J	A-3	10 3/8	3 9/16	4 5/8	148.7
10/C2000J	J	A-3	10 3/8	3 9/16	4 5/8	169.7
10/C2400M	M	A-3	10 3/8	3 9/16	6 3/4	263.1
10/C3000M	M	A-3	10 3/8	1 15/16	6 3/4	332.1
10/C3600M	M	A-3	10 3/8	1 15/16	6 3/4	397.5
10/C4400M	M	A-3	10 3/8	1 15/16	6 3/4	531.8
10/C5000M	M	A-3	10 3/8	1 15/16	6 3/4	600.0

TYPE:
A, C (see diagram)
1 = Solid **2** = Web **3** = Spoke

DIMENSIONS: See Diagram

ORDERING EXAMPLE:
8/C4400M 8 Grooves, C Belt Section, 44 in. Pitch Diameter, M Bushing Size Required



QD SHEAVES
METAL PRODUCTS



3V STANDARD PROFILE QD SHEAVES

1 GROOVE						
PART NUMBER	BUSHING	TYPE	DIMENSIONS			WEIGHT (LBS)
			F	K	L	
1/3V220JA	JA	E-1	11/16	7/16	1	0.7
1/3V235JA	JA	E-1	11/16	7/16	1	0.7
1/3V250JA	JA	E-1	11/16	7/16	1	0.8
1/3V265JA	JA	C-1	11/16	1/8	1	0.6
1/3V280JA	JA	C-1	11/16	1/8	1	0.6
1/3V300JA	JA	C-1	11/16	1/8	1	0.8
1/3V315JA	JA	C-1	11/16	1/8	1	0.9
1/3V335JA	JA	C-1	11/16	1/8	1	1.1
1/3V365SH	SH	G-1	11/16	1/8	1-5/16	1.3
1/3V412SH	SH	G-1	11/16	1/8	1-5/16	1.8
1/3V450SH	SH	G-1	11/16	1/8	1-5/16	2.2

1 GROOVE						
PART NUMBER	BUSHING	TYPE	DIMENSIONS			WEIGHT (LBS)
			F	K	L	
1/3V475SH	SH	G-1	11/16	1/8	1-5/16	2.1
1/3V500SH	SH	G-1	11/16	1/8	1-5/16	2.3
1/3V530SH	SH	G-2	11/16	1/8	1-5/16	3.0
1/3V560SH	SH	G-2	11/16	1/8	1-5/16	2.8
1/3V600SH	SH	G-2	11/16	1/8	1-5/16	3.7
1/3V650SH	SH	G-2	11/16	1/8	1-5/16	3.4
1/3V690SH	SH	G-3	11/16	1/8	1-5/16	4.1
1/3V800SDS	SDS	G-3	3/4	0	1-5/16	4.8
1/3V1060SDS	SDS	G-3	3/4	0	1-5/16	7.4
1/3V1400SK	SK	G-3	13/16	7/16	1-15/16	12.1
1/3V1900SK	SK	G-3	13/16	7/16	1-15/16	18.0

2 GROOVE						
PART NUMBER	BUSHING	TYPE	DIMENSIONS			WEIGHT (LBS)
			F	K	L	
2/3V250JA	JA	E-1	1-3/32	7/16	1	1.0
2/3V265JA	JA	D-1	1-3/32	1/8	1	0.8
2/3V280JA	JA	D-1	1-3/32	1/8	1	1.0
2/3V300JA	JA	D-1	1-3/32	1/8	1	1.1
2/3V315JA	JA	D-1	1-3/32	1/8	1	1.2
2/3V335SH	SH	D-1	1-3/32	9/64	1-5/16	1.2
2/3V365SH	SH	D-1	1-3/32	9/64	1-5/16	1.7
2/3V412SH	SH	D-1	1-3/32	9/32	1-5/16	2.3
2/3V450SH	SH	D-1	1-3/32	9/32	1-5/16	2.8
2/3V475SH	SH	D-1	1-3/32	9/32	1-5/16	2.6
2/3V500SH	SH	D-1	1-3/32	9/32	1-5/16	2.9
2/3V530SH	SH	D-1	1-3/32	9/32	1-5/16	3.1

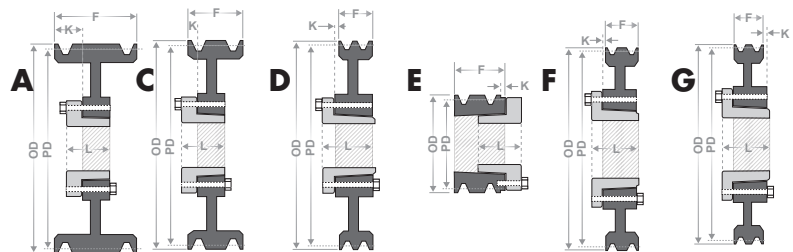
2 GROOVE						
PART NUMBER	BUSHING	TYPE	DIMENSIONS			WEIGHT (LBS)
			F	K	L	
2/3V560SH	SH	D-2	1-3/32	9/32	1-5/16	3.4
2/3V600SH	SH	D-2	1-3/32	9/32	1-5/16	3.8
2/3V650SDS	SDS	D-2	1-3/32	5/16	1-5/16	4.5
2/3V690SDS	SDS	D-2	1-3/32	5/16	1-5/16	4.7
2/3V800SDS	SDS	D-3	1-3/32	5/16	1-5/16	4.8
2/3V1060SK	SK	F-3	1-3/32	5/32	1-15/16	9.6
2/3V1400SK	SK	F-3	1-3/32	5/32	1-15/16	12.6
2/3V1900SK	SK	F-3	1-3/32	5/32	1-15/16	20.6
2/3V220JA	JA	E-1	1-3/32	7/16	1	0.9
2/3V235JA	JA	E-1	1-3/32	7/16	1	0.9
2/3V2500SF	SF	E-3	1-3/32	1/4	2-1/16	31.5

3 GROOVE						
PART NUMBER	BUSHING	TYPE	DIMENSIONS			WEIGHT (LBS)
			F	K	L	
3/3V250JA	JA	E-1	1-1/2	7/16	1	1.2
3/3V265JA	JA	D-1	1-1/2	1/8	1	1.1
3/3V280JA	JA	D-1	1-1/2	1/8	1	1.3
3/3V300SH	SH	E-1	1-1/2	5/16	1-5/16	1.7
3/3V315SH	SH	E-1	1-1/2	5/16	1-5/16	1.8
3/3V3350SF	SF	C-3	1-1/2	1/4	2-1/16	1.8
3/3V335SH	SH	D-1	1-1/2	1/8	1-5/16	1.6

3 GROOVE						
PART NUMBER	BUSHING	TYPE	DIMENSIONS			WEIGHT (LBS)
			F	K	L	
3/3V365SH	SH	D-1	1-1/2	1/8	1-5/16	2.0
3/3V412SH	SH	A-1	1-1/2	11/16	1-5/16	2.7
3/3V450SDS	SDS	A-1	1-1/2	11/16	1-5/16	3.1
3/3V475SDS	SDS	A-1	1-1/2	11/16	1-5/16	3.6
3/3V500SDS	SDS	A-1	1-1/2	11/16	1-5/16	4.0
3/3V530SDS	SDS	A-1	1-1/2	11/16	1-5/16	3.9
3/3V560SDS	SDS	A-1	1-1/2	11/16	1-5/16	4.4

TYPE:
A, C, D, E, F, G (see diagram)
1 = Solid 2 = Web 3 = Spoke
DIMENSIONS: See Diagram

ORDERING EXAMPLE:
2/3V560SH 2 Grooves, 3V Belt Section, 56 in. Pitch Diameter, SH Bushing Size Required



QD SHEAVES
METAL PRODUCTS



3V STANDARD PROFILE QD SHEAVES

4 GROOVE						
PART NUMBER	BUSHING	TYPE	DIMENSIONS			WEIGHT (LBS)
			F	K	L	
4/3V265JA	JA	D-1	1-29/32	0	1	1.4
4/3V280JA	JA	D-1	1-29/32	0	1	1.7
4/3V300SH	SH	E-1	1-29/32	0	1-5/16	2.0
4/3V315SH	SH	E-1	1-29/32	0	1-5/16	2.0
4/3V3350E	E	C-3	1-29/32	9/32	2-3	78.0
4/3V335SH	SH	D-1	1-29/32	1/8	1-5/16	1.9
4/3V365SH	SH	D-1	1-29/32	1/8	1-5/16	2.3
4/3V412SH	SH	A-1	1-29/32	13/16	1-5/16	3.1
4/3V450SDS	SDS	A-1	1-29/32	13/16	1-5/16	3.5
4/3V475SDS	SDS	A-1	1-29/32	13/16	1-5/16	3.7
4/3V500SDS	SDS	A-1	1-29/32	13/16	1-5/16	4.3

4 GROOVE						
PART NUMBER	BUSHING	TYPE	DIMENSIONS			WEIGHT (LBS)
			F	K	L	
4/3V530SDS	SDS	A-1	1-29/32	13/16	1-5/16	5.0
4/3V560SDS	SDS	A-1	1-29/32	13/16	1-5/16	5.5
4/3V600SK	SK	D-1	1-29/32	5/8	1-15/16	7.0
4/3V650SK	SK	D-2	1-29/32	5/8	1-15/16	7.3
4/3V690SK	SK	D-2	1-29/32	5/8	1-15/16	8.2
4/3V800SK	SK	D-3	1-29/32	5/8	1-15/16	9.4
4/3V1060SK	SK	D-3	1-29/32	5/8	1-15/16	13.4
4/3V1400SK	SK	D-3	1-29/32	5/8	1-15/16	18.3
4/3V1900SF	SF	C-3	1-29/32	21/32	2-1/16	29.7
4/3V2500SF	SF	C-3	1-29/32	21/32	2-1/16	44.0

5 GROOVE						
PART NUMBER	BUSHING	TYPE	DIMENSIONS			WEIGHT (LBS)
			F	K	L	
5/3V475SDS	SDS	A-1	2-15/16	13/16	1-5/16	4.3
5/3V500SDS	SDS	A-1	2-15/16	13/16	1-5/16	4.8
5/3V530SK	SK	A-1	2-15/16	15/16	1-15/16	5.9
5/3V560SK	SK	A-1	2-15/16	15/16	1-15/16	6.8
5/3V600SK	SK	A-1	2-15/16	15/16	1-15/16	8.0
5/3V650SK	SK	A-1	2-15/16	15/16	1-15/16	8.1
5/3V690SK	SK	A-2	2-15/16	15/16	1-15/16	9.2

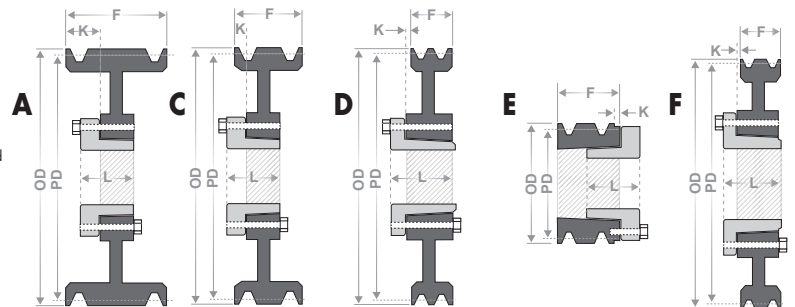
5 GROOVE						
PART NUMBER	BUSHING	TYPE	DIMENSIONS			WEIGHT (LBS)
			F	K	L	
5/3V800SK	SK	A-2	2-15/16	15/16	1-15/16	10.8
5/3V1060SK	SK	A-3	2-15/16	15/16	1-15/16	15.3
5/3V1400SF	SF	A-3	2-15/16	7/8	2-1/16	23.4
5/3V1900SF	SF	A-3	2-15/16	7/8	2-1/16	37.6
5/3V2500E	E	C-3	2-15/16	11/16	2-3/4	53.0
5/3V3350E	E	C-3	2-15/16	11/16	2-3/4	87.0

6 GROOVE						
PART NUMBER	BUSHING	TYPE	DIMENSIONS			WEIGHT (LBS)
			F	K	L	
6/3V475SK	SK	D-1	2-23/32	0	1-15/16	5.0
6/3V500SK	SK	D-1	2-23/32	0	1-15/16	5.7
6/3V530SK	SK	A-1	2-23/32	1-5/16	1-15/16	6.7
6/3V560SK	SK	A-1	2-23/32	1-5/16	1-15/16	7.5
6/3V600SK	SK	A-1	2-23/32	1-5/16	1-15/16	8.8
6/3V650SK	SK	A-1	2-23/32	1-5/16	1-15/16	9.3
6/3V690SK	SK	A-2	2-23/32	1-5/16	1-15/16	10.0

6 GROOVE						
PART NUMBER	BUSHING	TYPE	DIMENSIONS			WEIGHT (LBS)
			F	K	L	
6/3V800SK	SK	A-2	2-23/32	1-5/16	1-15/16	11.7
6/3V1060SF	SF	A-2	2-23/32	7/8	2-1/16	19.1
6/3V1400SF	SF	A-3	2-23/32	7/8	2-1/16	24.2
6/3V1900E	E	B-3	2-23/32	1-3/32	2-3/4	39.5
6/3V2500E	E	B-3	2-23/32	1-3/32	2-3/4	65.7
6/3V3350E	E	B-3	2-23/32	1-3/32	2-3/4	80.0

TYPE:
A, C, D, E, F (see diagram)
1 = Solid **2** = Web **3** = Spoke
DIMENSIONS: See Diagram

ORDERING EXAMPLE:
5/3V1060SK 5 Grooves, 3V Belt Section, 106 in. Pitch Diameter, SK Bushing Size Required



QD SHEAVES
METAL PRODUCTS



3V STANDARD PROFILE QD SHEAVES

8 GROOVE						
PART NUMBER	BUSHING	TYPE	DIMENSIONS			WEIGHT (LBS)
			F	K	L	
8/3V475SK	SK	D-1	3-17/32	1	1-15/16	5.8
8/3V500SK	SK	D-1	3-17/32	1	1-15/16	6.8
8/3V530SK	SK	A-1	3-17/32	1-5/16	1-15/16	7.6
8/3V560SK	SK	A-1	3-17/32	1-5/16	1-15/16	8.7
8/3V600SK	SK	A-1	3-17/32	1-5/16	1-15/16	10.3
8/3V650SK	SK	A-1	3-17/32	1-5/16	1-15/16	10.7
8/3V690SK	SK	A-2	3-17/32	1-5/16	1-15/16	11.8

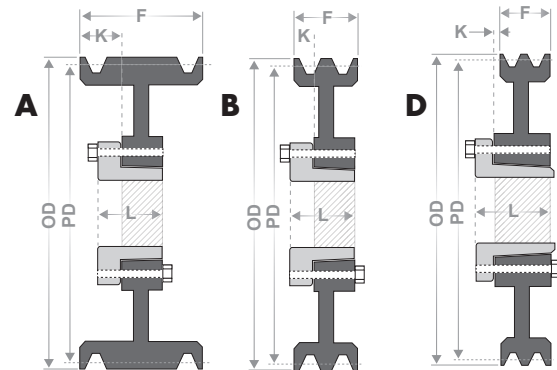
8 GROOVE						
PART NUMBER	BUSHING	TYPE	DIMENSIONS			WEIGHT (LBS)
			F	K	L	
8/3V800SF	SF	A-2	3-17/32	1-1	2-1/16	15.5
8/3V1060SF	SF	A-3	3-17/32	1-1	2-1/16	21.9
8/3V1400E	E	A-3	3-17/32	1-1/4	2-3/4	33.4
8/3V1900E	E	A-3	3-17/32	1-1/4	2-3/4	47.2
8/3V2500E	E	A-3	3-17/32	1-1/4	2-3/4	67.8
8/3V3350F	F	B-3	3-17/32	1-1/32	3-3/4	112.0

10 GROOVE						
PART NUMBER	BUSHING	TYPE	DIMENSIONS			WEIGHT (LBS)
			F	K	L	
3V475/10SK	SK	D-1	4-11/32	1/8	1-15/16	6.9
3V500/10SK	SK	D-1	4-11/32	1/8	1-15/16	8.1
3V530/10SK	SK	A-1	4-11/32	1-7/16	1-15/16	8.8
3V560/10SK	SK	A-1	4-11/32	1-7/16	1-15/16	10.1
3V600/10SK	SK	A-1	4-11/32	1-7/16	1-15/16	13.8
3V650/10SK	SK	A-1	4-11/32	1-7/16	1-15/16	13.7

10 GROOVE						
PART NUMBER	BUSHING	TYPE	DIMENSIONS			WEIGHT (LBS)
			F	K	L	
3V690/10SK	SK	A-2	4-11/32	1-7/16	1-15/16	14.1
3V800/10SF	SF	A-2	4-11/32	1-1/2	2-1/16	18.1
3V1060/10E	E	A-3	4-11/32	1-1/4	2-3/4	29.2
3V1400/10E	E	A-3	4-11/32	1-1/4	2-3/4	37.0
3V1900/10E	E	A-3	4-11/32	1-1/4	2-3/4	54.0
3V2500/10F	F	A-3	4-11/32	1-5/16	3-3/4	90.0

TYPE:
A, B, D (see diagram)
1 = Solid **2** = Web **3** = Spoke
DIMENSIONS: See Diagram

ORDERING EXAMPLE:
8/3V1900E 8 Grooves, 3V Belt Section, 190 in. Pitch Diameter, E Bushing Size Required



QD SHEAVES
METAL PRODUCTS



5V STANDARD PROFILE QD SHEAVES

2 GROOVE						
PART NUMBER	BUSHING	TYPE	DIMENSIONS			WEIGHT (LBS)
			F	K	L	
2/5V440SH	SH	A-1	1-11/16	11/16	1-5/16	3.3
2/5V465SDS	SDS	E-1	1-11/16	3/16	1-5/16	3.7
2/5V490SDS	SDS	A-1	1-11/16	11/16	1-5/16	3.9
2/5V520SDS	SDS	A-1	1-11/16	11/16	1-5/16	4.6
2/5V550SDS	SDS	A-1	1-11/16	11/16	1-5/16	5.1
2/5V590SDS	SDS	A-1	1-11/16	11/16	1-5/16	5.6
2/5V630SK	SK	C-1	1-11/16	7/16	1-15/16	7.4
2/5V670SK	SK	C-1	1-11/16	7/16	1-15/16	7.5
2/5V710SK	SK	C-1	1-11/16	7/16	1-15/16	7.9
2/5V750SK	SK	C-1	1-11/16	7/16	1-15/16	8.7
2/5V800SK	SK	C-2	1-11/16	7/16	1-15/16	10.0
2/5V850SK	SK	C-2	1-11/16	7/16	1-15/16	10.8
2/5V900SK	SK	C-2	1-11/16	7/16	1-15/16	11.4
2/5V925SK	SK	C-2	1-11/16	7/16	1-15/16	12.0

2 GROOVE						
PART NUMBER	BUSHING	TYPE	DIMENSIONS			WEIGHT (LBS)
			F	K	L	
2/5V975SK	SK	C-3	1-11/16	7/16	1-15/16	12.6
2/5V1030SK	SK	C-3	1-11/16	7/16	1-15/16	14.5
2/5V1090SK	SK	C-3	1-11/16	7/16	1-15/16	15.5
2/5V1130SK	SK	C-3	1-11/16	7/16	1-15/16	14.3
2/5V1180SK	SK	C-3	1-11/16	7/16	1-15/16	17.1
2/5V1250SF	SF	C-3	1-11/16	7/16	1-15/16	18.8
2/5V1320SF	SF	C-3	1-11/16	7/16	2-1/16	19.8
2/5V1400SF	SF	C-3	1-11/16	7/16	2-1/16	22.3
2/5V1500SF	SF	C-3	1-11/16	7/16	2-1/16	23.9
2/5V1600SF	SF	C-3	1-11/16	7/16	2-1/16	26.0
2/5V1870SF	SF	C-3	1-11/16	7/16	2-1/16	32.6
2/5V2120SF	SF	C-3	1-11/16	7/16	2-1/16	38.0
2/5V2360E	E	C-3	1-11/16	1/16	2-3/4	46.0
2/5V2800E	E	C-3	1-11/16	1/16	2-3/4	71.0

3 GROOVE						
PART NUMBER	BUSHING	TYPE	DIMENSIONS			WEIGHT (LBS)
			F	K	L	
3/5V440SDS	SDS	E-1	2-3/8	0	1-5/16	4.2
3/5V465SDS	SDS	E-1	2-3/8	0	1-5/16	4.7
3/5V490SDS	SDS	A-1	2-3/8	1-1/16	1-5/16	4.8
3/5V520SDS	SDS	A-1	2-3/8	1-1/16	1-5/16	5.9
3/5V550SDS	SDS	A-1	2-3/8	1-1/16	1-5/16	6.6
3/5V590SDS	SDS	A-1	2-3/8	1-1/16	1-5/16	7.5
3/5V630SK	SK	A-1	2-3/8	1-1/16	1-15/16	9.3
3/5V670SK	SK	A-1	2-3/8	1-1/8	1-15/16	10.8
3/5V710SF	SF	A-1	2-3/8	1-1/8	2-1/16	11.4
3/5V750SF	SF	A-1	2-3/8	1-1/8	2-1/16	12.5
3/5V800SF	SF	A-1	2-3/8	1-1/8	2-1/16	12.7
3/5V850SF	SF	A-2	2-3/8	1-1/8	2-1/16	14.5
3/5V900SF	SF	A-2	2-3/8	1-1/8	2-1/16	15.6
3/5V925SF	SF	A-2	2-3/8	1-1/8	2-1/16	21.7
3/5V975SF	SF	A-2	2-3/8	1-1/8	2-1/16	17.0
3/5V1030SF	SF	A-2	2-3/8	1-1/8	2-1/16	18.2

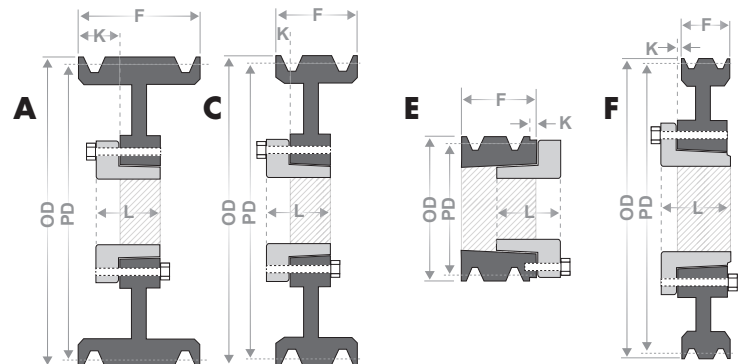
3 GROOVE						
PART NUMBER	BUSHING	TYPE	DIMENSIONS			WEIGHT (LBS)
			F	K	L	
3/5V1090SF	SF	A-2	2-3/8	1-1/8	2-1/16	19.4
3/5V1130SF	SF	A-3	2-3/8	1-1/8	2-1/16	20.0
3/5V1180SF	SF	A-3	2-3/8	1-1/8	2-1/16	21.2
3/5V1250E	E	C-3	2-3/8	3/4	2-3/4	28.3
3/5V1320E	E	C-3	2-3/8	3/4	2-3/4	30.0
3/5V1400E	E	C-3	2-3/8	3/4	2-3/4	31.1
3/5V1500E	E	C-3	2-3/8	3/4	2-3/4	32.5
3/5V1600E	E	C-3	2-3/8	3/4	2-3/4	35.6
3/5V1870E	E	C-3	2-3/8	3/4	2-3/4	42.8
3/5V2120E	E	C-3	2-3/8	3/4	2-3/4	49.4
3/5V2360E	E	C-3	2-3/8	3/4	2-3/4	56.4
3/5V2800E	E	C-3	2-3/8	3/4	2-3/4	70.0
3/5V3150F	F	F-3	2-3/8	1/8	3-3/4	95.0
3/5V3750F	F	F-3	2-3/8	1/8	3-3/4	151.5
3/5V5000F	F	F-3	2-3/8	1/8	3-3/4	185.0

TYPE:

A, C, E, F (see diagram)
1 = Solid **2** = VWeb **3** = Spoke
DIMENSIONS: See Diagram

ORDERING EXAMPLE:

3/5V490SDS 3 Grooves, 5V Belt Section, 49 in. Pitch Diameter, SDS Bushing Size Required



QD SHEAVES
METAL PRODUCTS



5V STANDARD PROFILE QD SHEAVES

4 GROOVE						
PART NUMBER	BUSHING	TYPE	DIMENSIONS			WEIGHT (LBS)
			F	K	L	
4/5V440SD	SD	E-1	3-1/16	0	1-13/16	5.4
4/5V465SD	SD	E-1	3-1/16	0	1-13/16	6.3
4/5V490SD	SD	A-1	3-1/16	1-5/16	1-13/16	6.8
4/5V5000J	J	B-3	3-1/16	1/8	4-5/8	7.3
4/5V520SD	SD	A-1	3-1/16	1-5/16	1-13/16	7.7
4/5V550SD	SD	A-1	3-1/16	1-5/16	1-13/16	8.9
4/5V590SD	SD	A-1	3-1/16	1-5/16	1-13/16	10.2
4/5V630SK	SK	A-1	3-1/16	1-5/16	1-15/16	10.8
4/5V670SK	SK	A-1	3-1/16	1-5/16	1-15/16	12.4
4/5V710SF	SF	A-1	3-1/16	1-1/16	2-1/16	13.4
4/5V750SF	SF	A-1	3-1/16	1-1/16	2-1/16	15.1
4/5V800E	E	B-1	3-1/16	1-7/16	2-3	18.0
4/5V850E	E	B-1	3-1/16	1-7/16	2-3	20.1
4/5V900E	E	B-1	3-1/16	1-7/16	2-3	22.3
4/5V925E	E	B-1	3-1/16	1-7/16	2-3	23.9
4/5V975E	E	B-2	3-1/16	1-7/16	2-3	23.3
4/5V1030E	E	B-2	3-1/16	1-7/16	2-3	25.5
4/5V1090E	E	B-2	3-1/16	1-7/16	2-3	28.0
4/5V1130E	E	B-2	3-1/16	1-7/16	2-3	28.5

4 GROOVE						
PART NUMBER	BUSHING	TYPE	DIMENSIONS			WEIGHT (LBS)
			F	K	L	
4/5V1180E	E	B-2	3-1/16	1-7/16	2-3	29.9
4/5V1250E	E	B-3	3-1/16	1-7/16	2-3	31.2
4/5V1320E	E	B-3	3-1/16	1-7/16	2-3	33.7
4/5V1400E	E	B-3	3-1/16	1-7/16	2-3	34.4
4/5V1500E	E	B-3	3-1/16	1-7/16	2-3	37.0
4/5V1600E	E	B-3	3-1/16	1-7/16	2-3	39.6
4/5V1870E	E	A-3	3-1/16	1-1	2-3	51.8
4/5V2120E	E	A-3	3-1/16	1-1	2-3	58.3
4/5V2360F	F	C-3	3-1/16	7/8	3-3	95.1
4/5V2800F	F	C-3	3-1/16	7/8	3-3	92.0
4/5V3150F	F	C-3	3-1/16	7/8	3-3	108.0
4/5V3750F	F	C-3	3-1/16	7/8	3-3	138.0
4/5V1400SF	SF	C-3	1-11/16	7/16	2-1/16	22.3
4/5V1500SF	SF	C-3	1-11/16	7/16	2-1/16	23.9
4/5V1600SF	SF	C-3	1-11/16	7/16	2-1/16	26.0
4/5V1870SF	SF	C-3	1-11/16	7/16	2-1/16	32.6
4/5V2120SF	SF	C-3	1-11/16	7/16	2-1/16	38.0
4/5V2360E	E	C-3	1-11/16	1/16	2-3	46.0
4/5V2800E	E	C-3	1-11/16	1/16	2-3	71.0

5 GROOVE						
PART NUMBER	BUSHING	TYPE	DIMENSIONS			WEIGHT (LBS)
			F	K	L	
5/5V440SD	SD	E-1	3-3/4	0	1-13/16	6.4
5/5V465SD	SD	E-1	3-3/4	0	1-13/16	7.2
5/5V490SD	SD	A-1	3-3/4	1-5/16	1-13/16	7.8
5/5V5000J	J	C-3	3-3/4	9/16	4-5/8	8.5
5/5V520SD	SD	A-1	3-3/4	1-5/16	1-13/16	9.0
5/5V550SD	SD	A-1	3-3/4	1-5/16	1-13/16	10.2
5/5V590SK	SK	A-1	3-3/4	1-5/16	1-15/16	10.8
5/5V630SK	SK	A-1	3-3/4	1-5/16	1-15/16	12.3
5/5V670SF	SF	A-1	3-3/4	1-3/8	2-1/16	13.4
5/5V710SF	SF	A-1	3-3/4	1-3/8	2-1/16	15.2
5/5V750SF	SF	A-1	3-3/4	1-3/8	2-1/16	16.9
5/5V800E	E	A-1	3-3/4	1-3/4	2-3/4	19.7
5/5V850E	E	A-1	3-3/4	1-3/4	2-3/4	23.1
5/5V900E	E	A-1	3-3/4	1-3/4	2-3/4	26.4

5 GROOVE						
PART NUMBER	BUSHING	TYPE	DIMENSIONS			WEIGHT (LBS)
			F	K	L	
5/5V925E	E	A-1	3-3/4	1-3/4	2-3/4	28.3
5/5V975E	E	A-2	3-3/4	1-3/4	2-3/4	26.2
5/5V1030E	E	A-2	3-3/4	1-3/4	2-3/4	28.5
5/5V1090E	E	A-2	3-3/4	1-3/4	2-3/4	30.7
5/5V1130E	E	A-2	3-3/4	1-3/4	2-3/4	32.3
5/5V1180E	E	A-2	3-3/4	1-3/4	2-3/4	33.5
5/5V1250E	E	A-3	3-3/4	1-3/4	2-3/4	36.3
5/5V1320E	E	A-3	3-3/4	1-3/4	2-3/4	38.4
5/5V1400E	E	A-3	3-3/4	1-3/4	2-3/4	40.0
5/5V1500E	E	A-3	3-3/4	1-3/4	2-3/4	42.7
5/5V1600E	E	A-3	3-3/4	1-3/4	2-3/4	58.0
5/5V1870F	F	B-3	3-3/4	1-1/4	3-3/4	67.0
5/5V2120F	F	B-3	3-3/4	1-1/4	3-3/4	88.0

5/5V CONTINUED >>

TYPE:

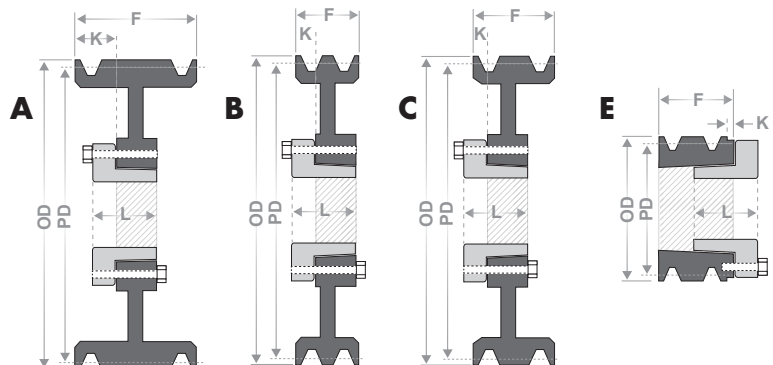
A, B, C, E (see diagram)

1 = Solid **2** = Web **3** = Spoke

DIMENSIONS: See Diagram

ORDERING EXAMPLE:

5/5V1030E 5 Grooves, 5V Belt Section, 103 in. Pitch Diameter, E Bushing Size Required





5V STANDARD PROFILE QD SHEAVES

5 GROOVE						
PART NUMBER	BUSHING	TYPE	DIMENSIONS			WEIGHT (LBS)
			F	K	L	
5/5V2360F	F	B-3	3-3/4	1-1/4	3-3/4	114.9
5/5V2800F	F	B-3	3-3/4	1-1/4	3-3/4	126.0
5/5V3150J	J	C-3	3-3/4	9/16	4-5/8	132.0
5/5V3750J	J	C-3	3-3/4	9/16	4-5/8	174.0
5/5V1400SF	SF	C-3	1-11/16	7/16	2-1/16	22.3
5/5V1500SF	SF	C-3	1-11/16	7/16	2-1/16	23.9

5 GROOVE						
PART NUMBER	BUSHING	TYPE	DIMENSIONS			WEIGHT (LBS)
			F	K	L	
5/5V1600SF	SF	C-3	1-11/16	7/16	2-1/16	26.0
5/5V1870SF	SF	C-3	1-11/16	7/16	2-1/16	32.6
5/5V2120SF	SF	C-3	1-11/16	7/16	2-1/16	38.0
5/5V2360E	E	C-3	1-11/16	1/16	2-3/4	46.0
5/5V2800E	E	C-3	1-11/16	1/16	2-3/4	71.0

6 GROOVE						
PART NUMBER	BUSHING	TYPE	DIMENSIONS			WEIGHT (LBS)
			F	K	L	
6/5V440SD	SD	E-1	4-7/16	0	1-13/16	7.7
6/5V465SD	SD	E-1	4-7/16	0	1-13/16	8.1
6/5V490SD	SD	A-1	4-7/16	1-5/16	1-13/16	8.1
6/5V5000M	M	C-3	4-7/16	3/4	6-3/4	330.0
6/5V520SD	SD	A-1	4-7/16	1-5/16	1-13/16	10.5
6/5V550SD	SD	A-1	4-7/16	1-5/16	1-13/16	12.0
6/5V590SK	SK	A-1	4-7/16	1-5/16	1-15/16	12.6
6/5V630SK	SK	A-1	4-7/16	1-5/16	1-15/16	14.5
6/5V670SF	SF	A-1	4-7/16	1-5/8	2-1/16	15.4
6/5V710SF	SF	A-1	4-7/16	1-5/8	2-1/16	17.4
6/5V750SF	SF	A-1	4-7/16	1-5/8	2-1/16	19.4
6/5V800E	E	A-1	4-7/16	2	2-3/4	22.7
6/5V850E	E	A-1	4-7/16	2	2-3/4	26.0
6/5V900E	E	A-1	4-7/16	2	2-3/4	29.4
6/5V925E	E	A-1	4-7/16	2	2-3/4	30.8
6/5V975E	E	A-2	4-7/16	2	2-3/4	35.0

6 GROOVE						
PART NUMBER	BUSHING	TYPE	DIMENSIONS			WEIGHT (LBS)
			F	K	L	
6/5V1030E	E	A-2	4-7/16	2	2-3/4	33.0
6/5V1090E	E	A-2	4-7/16	2	2-3/4	35.6
6/5V1130E	E	A-2	4-7/16	2	2-3/4	36.7
6/5V1180E	E	A-2	4-7/16	2	2-3/4	41.4
6/5V1250F	F	B-3	4-7/16	15/16	3-3/4	45.2
6/5V1320F	F	B-3	4-7/16	15/16	3-3/4	50.0
6/5V1400F	F	B-3	4-7/16	15/16	3-3/4	52.6
6/5V1500F	F	B-3	4-7/16	15/16	3-3/4	55.2
6/5V1600F	F	B-3	4-7/16	15/16	3-3/4	58.0
6/5V1870F	F	A-3	4-7/16	1-5/16	3-3/4	70.0
6/5V2120F	F	A-3	4-7/16	15/16	3-3/4	116.0
6/5V2360J	J	B-3	4-7/16	1-1/4	4-5/8	117.5
6/5V2800J	J	B-3	4-7/16	1-1/4	4-5/8	125.0
6/5V3150J	J	B-3	4-7/16	1-1/4	4-5/8	200.0
6/5V3750J	J	B-3	4-7/16	1-1/4	4-5/8	235.0

8 GROOVE						
PART NUMBER	BUSHING	TYPE	DIMENSIONS			WEIGHT (LBS)
			F	K	L	
8/5V710SF	SF	A-1	5-13/16	2-1	2-1/16	20.7
8/5V750SF	SF	A-1	5-13/16	2-1	2-1/16	23.1
8/5V800E	E	A-1	5-13/16	2-1/2	2-3/4	26.8
8/5V850E	E	A-1	5-13/16	2-1/2	2-3/4	29.5
8/5V900E	E	A-1	5-13/16	2-1/2	2-3/4	35.0
8/5V925F	F	A-1	5-13/16	2-9/16	3-3/4	40.5
8/5V975F	F	A-1	5-13/16	2-9/16	3-3/4	46.0
8/5V1030F	F	A-1	5-13/16	2-9/16	3-3/4	47.3

8 GROOVE						
PART NUMBER	BUSHING	TYPE	DIMENSIONS			WEIGHT (LBS)
			F	K	L	
8/5V1090F	F	A-2	5-13/16	2-9/16	3-3/4	48.5
8/5V1130F	F	A-2	5-13/16	2-9/16	3-3/4	50.0
8/5V1180F	F	A-2	5-13/16	2-9/16	3-3/4	53.0
8/5V1250F	F	A-2	5-13/16	2-9/16	3-3/4	56.3
8/5V1320F	F	A-3	5-13/16	2-9/16	3-3/4	59.0
8/5V1400F	F	A-3	5-13/16	2-9/16	3-3/4	63.5
8/5V1500F	F	A-3	5-13/16	2-9/16	3-3/4	68.0

8/5V CONTINUED >>

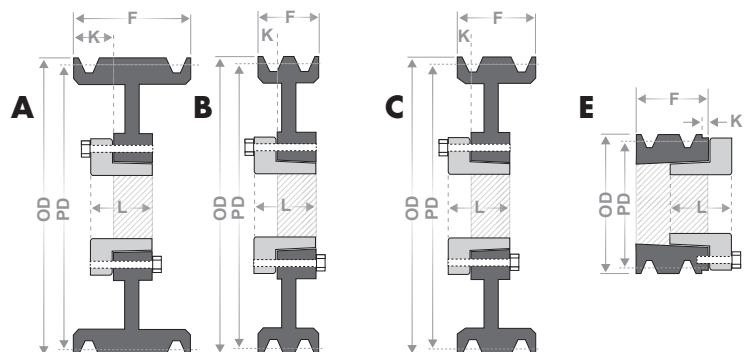
TYPE:

A, B, C, E (see diagram)
1 = Solid **2** = Web **3** = Spoke

DIMENSIONS: See Diagram

ORDERING EXAMPLE:

8/5V1090F 8 Grooves, 5V Belt Section, 109 in. Pitch Diameter, E Bushing Size Required





5V STANDARD PROFILE QD SHEAVES

8 GROOVE						
PART NUMBER	BUSHING	TYPE	DIMENSIONS			WEIGHT (LBS)
			F	K	L	
8/5V1600F	F	A-3	5-13/16	2-9/16	3-3/4	74.0
8/5V1870J	J	A-3	5-13/16	1-9/16	4-5/8	94.0
8/5V2120J	J	A-3	5-13/16	1-9/16	4-5/8	106.0
8/5V2360J	J	A-3	5-13/16	1-9/16	4-5/8	120.0

8 GROOVE						
PART NUMBER	BUSHING	TYPE	DIMENSIONS			WEIGHT (LBS)
			F	K	L	
8/5V2800J	J	A-3	5-13/16	1-9/16	4-5/8	145.0
8/5V3150M	M	B-3	5-13/16	5	6-3/4	196.2
8/5V3750M	M	B-3	5-13/16	5	6-3/4	248.0
8/5V5000M	M	B-3	5-13/16	5	6-3/4	367.0

10 GROOVE						
PART NUMBER	BUSHING	TYPE	DIMENSIONS			WEIGHT (LBS)
			F	K	L	
10/5V800E	E	A-1	7 3/16	3 1/4	2 3/4	30.9
10/5V850E	E	A-1	7 3/16	3 1/4	2 3/4	34.9
10/5V900F	F	A-1	7 3/16	3 5/16	3 3/4	43.7
10/5V925F	F	A-1	7 3/16	3 5/16	3 3/4	45.6
10/5V975F	F	A-1	7 3/16	3 5/16	3 3/4	51.0
10/5V1030F	F	A-1	7 3/16	3 5/16	3 3/4	59.0
10/5V1090F	F	A-2	7 3/16	3 5/16	3 3/4	65.5
10/5V1130F	F	A-2	7 3/16	3 5/16	3 3/4	60.8
10/5V1180F	F	A-2	7 3/16	3 5/16	3 3/4	63.0
10/5V1250J	J	A-2	7 3/16	3 9/16	4 5/8	71.3

10 GROOVE						
PART NUMBER	BUSHING	TYPE	DIMENSIONS			WEIGHT (LBS)
			F	K	L	
10/5V1320J	J	A-2	7 3/16	3 9/16	4 5/8	79.5
10/5V1400J	J	A-2	7 3/16	3 9/16	4 5/8	88.0
10/5V1500J	J	A-2	7 3/16	3 9/16	4 5/8	94.5
10/5V1600J	J	A-3	7 3/16	3 9/16	4 5/8	101.2
10/5V1870J	J	A-3	7 3/16	1 9/16	4 5/8	109.6
10/5V2120J	J	A-3	7 3/16	1 9/16	4 5/8	122.0
10/5V2360M	M	B-3	7 3/16	1 15/16	6 3/4	174.0
10/5V2800M	M	B-3	7 3/16	1 15/16	6 3/4	214.0
10/5V3150M	M	B-3	7 3/16	1 15/16	6 3/4	238.0
10/5V3750M	M	B-3	7 3/16	1 15/16	6 3/4	283.0

8V STANDARD PROFILE QD SHEAVES

4 GROOVE						
PART NUMBER	BUSHING	TYPE	DIMENSIONS			WEIGHT (LBS)
			F	K	L	
4/8V1250F	F	A-1	4 7/8	1 3/16	3 3/4	60.0
4/8V1320F	F	A-2	4 7/8	1 3/16	3 3/4	64.0
4/8V1400F	F	A-2	4 7/8	1 3/16	3 3/4	68.3
4/8V1500F	F	A-2	4 7/8	1 3/16	3 3/4	72.6
4/8V1600F	F	A-2	4 7/8	1 3/16	3 3/4	77.0
4/8V1700F	F	A-3	4 7/8	1 3/16	3 3/4	83.5
4/8V1800F	F	A-3	4 7/8	1 3/16	3 3/4	90.0
4/8V1900F	F	A-3	4 7/8	1 3/16	3 3/4	112.0

4 GROOVE						
PART NUMBER	BUSHING	TYPE	DIMENSIONS			WEIGHT (LBS)
			F	K	L	
4/8V2000J	J	A-3	4 7/8	1 7/16	4 5/8	114.0
4/8V2120J	J	A-3	4 7/8	1 7/16	4 5/8	140.0
4/8V2240J	J	A-3	4 7/8	1 7/16	4 5/8	150.0
4/8V2480M	M	F-3	4 7/8	5/16	6 3/4	211.0
4/8V3000M	M	F-3	4 7/8	5/16	6 3/4	264.0
4/8V3550M	M	F-3	4 7/8	5/16	6 3/4	367.0
4/8V4000M	M	F-3	4 7/8	5/16	6 3/4	300.0

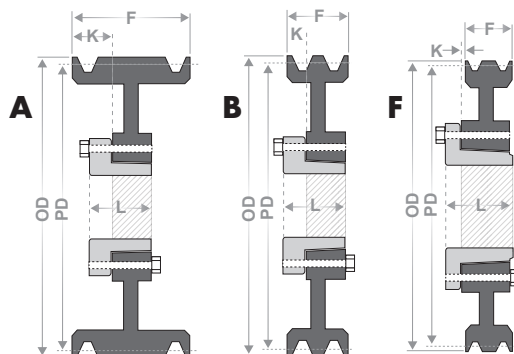
5 GROOVE						
PART NUMBER	BUSHING	TYPE	DIMENSIONS			WEIGHT (LBS)
			F	K	L	
5/8V1250F	F	A-1	6	2 5/16	3 3/4	82.8
5/8V1320F	F	A-2	6	2 5/16	3 3/4	96.0
5/8V1400F	F	A-2	6	2 5/16	3 3/4	81.0
5/8V1500F	F	A-2	6	2 5/16	3 3/4	84.5

5 GROOVE						
PART NUMBER	BUSHING	TYPE	DIMENSIONS			WEIGHT (LBS)
			F	K	L	
5/8V1600F	F	A-2	6	2 5/16	3 3/4	95.5
5/8V1700J	J	A-3	6	2	4 5/8	104.5
5/8V1800J	J	A-3	6	2	4 5/8	115.2

5/8V CONTINUED >>

TYPE:
A, B, F (see diagram)
1 = Solid 2 = Web 3 = Spoke
DIMENSIONS: See Diagram

ORDERING EXAMPLES:
10/5V975F 10 Grooves, 5V Belt Section, 97.5 in. Pitch Diameter, F Bushing Size Required





8V STANDARD PROFILE QD SHEAVES

5 GROOVE						
PART NUMBER	BUSHING	TYPE	DIMENSIONS			WEIGHT (LBS)
			F	K	L	
5/8V1900J	J	A-3	6	2	4 5/8	122.0
5/8V2000J	J	A-3	6	2	4 5/8	133.0
5/8V2120J	J	A-3	6	2	4 5/8	140.0
5/8V2240M	M	B-3	6	13/16	6 3/4	182.0

5 GROOVE						
PART NUMBER	BUSHING	TYPE	DIMENSIONS			WEIGHT (LBS)
			F	K	L	
5/8V2480M	M	B-3	6	13/16	6 3/4	201.0
5/8V3000M	M	B-3	6	13/16	6 3/4	254.0
5/8V3550M	M	B-3	6	13/16	6 3/4	298.0
5/8V4000M	M	B-3	6	13/16	6 3/4	337.0

6 GROOVE						
PART NUMBER	BUSHING	TYPE	DIMENSIONS			WEIGHT (LBS)
			F	K	L	
6/8V1250F	F	A-1	7 1/8	2 5/16	3 3/4	81.0
6/8V1320F	F	A-1	7 1/8	2 5/16	3 3/4	85.4
6/8V1400F	F	A-1	7 1/8	2 5/16	3 3/4	96.0
6/8V1500J	J	A-1	7 1/8	2 9/16	4 5/8	110.0
6/8V1600J	J	A-1	7 1/8	2 9/16	4 5/8	118.0
6/8V1700J	J	A-2	7 1/8	2 9/16	4 5/8	126.0
6/8V1800J	J	A-2	7 1/8	2 9/16	4 5/8	133.0
6/8V1900J	J	A-2	7 1/8	2 9/16	4 5/8	157.0

6 GROOVE						
PART NUMBER	BUSHING	TYPE	DIMENSIONS			WEIGHT (LBS)
			F	K	L	
6/8V2000M	M	B-2	7 1/8	15/16	6 3/4	185.0
6/8V2120M	M	B-2	7 1/8	15/16	6 3/4	194.0
6/8V2240M	M	B-3	7 1/8	15/16	6 3/4	221.0
6/8V2480M	M	B-3	7 1/8	1 15/16	6 3/4	248.0
6/8V3000M	M	B-3	7 1/8	1 15/16	6 3/4	276.0
6/8V3550N	N	C-3	7 1/8	1 1/8	8 1/8	444.0
6/8V4000N	N	C-3	7 1/8	1 1/8	8 1/8	519.0

8 GROOVE						
PART NUMBER	BUSHING	TYPE	DIMENSIONS			WEIGHT (LBS)
			F	K	L	
8/8V1250J	J	A-1	9 3/8	3 9/16	4 5/8	117.0
8/8V1320J	J	A-2	9 3/8	3 9/16	4 5/8	131.0
8/8V1400J	J	A-2	9 3/8	3 9/16	6 3/4	127.0
8/8V1500J	J	A-1	9 3/8	3 15/16	6 3/4	146.0
8/8V1600J	J	A-2	9 3/8	3 15/16	6 3/4	162.0
8/8V1700M	M	A-2	9 3/8	3 15/16	6 3/4	228.0
8/8V1800M	M	A-2	9 3/8	3 15/16	6 3/4	230.0
8/8V1900M	M	A-2	9 3/8	3 15/16	6 3/4	222.0

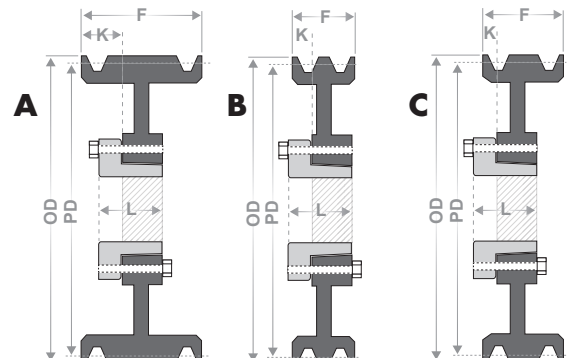
8 GROOVE						
PART NUMBER	BUSHING	TYPE	DIMENSIONS			WEIGHT (LBS)
			F	K	L	
8/8V2000M	M	A-2	9 3/8	3 15/16	6 3/4	213.0
8/8V2120M	M	A-2	9 3/8	3 15/16	6 3/4	230.0
8/8V2240M	M	A-2	9 3/8	2 1/4	8 1/8	244.0
8/8V2480N	N	A-3	9 3/8	2 1/4	8 1/8	365.7
8/8V3000N	N	A-3	9 3/8	2 1/4	8 1/8	410.0
8/8V3550N	N	A-3	9 3/8	2 1/4	8 1/8	508.0
8/8V4000N	N	A-3	9 3/8	2 1/4	8 1/8	592.0

10 GROOVE						
PART NUMBER	BUSHING	TYPE	DIMENSIONS			WEIGHT (LBS)
			F	K	L	
10/8V1250J	J	A-1	11 5/8	3 9/16	4 5/8	134.0
10/8V1320J	J	A-2	11 5/8	3 9/16	4 5/8	150.5
10/8V1400J	J	A-2	11 5/8	3 9/16	6 3/4	167.0
10/8V1500M	M	A-1	11 5/8	3 15/16	6 3/4	225.0
10/8V1600M	M	A-2	11 5/8	3 15/16	6 3/4	263.0
10/8V1700M	M	A-2	11 5/8	3 15/16	6 3/4	267.5
10/8V1800M	M	A-2	11 5/8	3 15/16	6 3/4	272.0
10/8V1900M	M	A-2	11 5/8	3 15/16	6 3/4	269.0

10 GROOVE						
PART NUMBER	BUSHING	TYPE	DIMENSIONS			WEIGHT (LBS)
			F	K	L	
10/8V2000M	M	A-2	11 5/8	3 15/16	6 3/4	253.0
10/8V2120M	M	A-2	11 5/8	3 15/16	6 3/4	267.0
10/8V2240N	N	A-2	11 5/8	2 1/4	8 1/8	332.0
10/8V2480N	N	A-3	11 5/8	2 1/4	8 1/8	356.0
10/8V3000N	N	A-3	11 5/8	2 1/4	8 1/8	425.0
10/8V3550N	N	A-3	9 3/8	2 1/4	8 1/8	508.0
10/8V4000N	N	A-3	9 3/8	2 1/4	8 1/8	592.0

TYPE:
A, B, C (see diagram)
1 = Solid **2** = Web **3** = Spoke
DIMENSIONS: See Diagram

ORDERING EXAMPLES:
10/8V2480N 10 Grooves, 8V Belt Section, 248 in. Pitch Diameter, N Bushing Size Required



QD SHEAVES
METAL PRODUCTS



MPB MINIMUM PLAIN BORE SHEAVES

A PROFILES

CLASSICAL V-BELT PROFILES

A CLASSICAL PROFILE SINGLE GROOVE MPB SHEAVES

PART NUMBER	DIAMETERS			TYPE	DIMENSIONS				STOCK BORES (IN)	HUB DIA. (MM)	EST. WEIGHT
	O.D.	PITCH			F	L	P	C			
		3L	4L or A								
AK17	1.75	1.16	1.5	1s	21/32	15/16	7/16	5/32	1/2, 5/8	1.6	0.40
AK20	2.00	1.46	1.8	1s	21/32	15/16	7/16	5/32	1/2, 5/8, 3/4	1.6	0.53
AK21	2.10	1.56	1.9	1s	21/32	15/16	7/16	5/32	1/2, 5/8, 3/4	1.6	0.57
AK22	2.20	1.66	2.0	1s	21/32	15/16	7/16	5/32	1/2, 5/8, 3/4	1.6	0.60
AK23	2.30	1.76	2.1	1s	21/32	15/16	7/16	5/32	1/2, 5/8, 3/4, 7/8	1.6	0.63
AK25	2.50	1.96	2.3	2s	21/32	15/16	7/16	5/32	1/2, 5/8, 3/4, 7/8	1.6	0.73
AK26	2.60	2.06	2.4	2s	21/32	15/16	7/16	5/32	1/2, 5/8, 3/4, 7/8	1.6	0.75
AK27	2.70	2.16	2.5	2s	21/32	15/16	7/16	5/32	1/2, 5/8, 3/4, 7/8	1.6	0.83
AK28	2.80	2.26	2.6	2s	21/32	15/16	7/16	5/32	1/2, 5/8, 3/4, 7/8, 1	1.6 1.7	0.84
AK30	3.05	2.46	2.8	2s	21/32	15/16	7/16	5/32	1/2, 5/8, 3/4, 7/8, 1	1.6 1.7	0.98
AK32	3.25	2.66	3.0	2s	21/32	15/16	7/16	5/32	1/2, 5/8, 3/4, 7/8, 1	1.6 1.7	1.1
AK34	3.45	2.86	3.2	2s	21/32	15/16	7/16	5/32	1/2, 5/8, 3/4, 7/8, 1	1.6 1.7	1.2
AK39	3.75	3.16	3.5	2s	3/4	1-5/32	15/32	1/16	5/8, 3/4, 7/8, 15/16, 1, 1/2, 1-1/8	1.6 1.7 1.9	1.5
AK41	3.95	3.36	3.7	2s	3/4	1-5/32	15/32	1/16	5/8, 3/4, 7/8, 15/16, 1, 1/2, 1-1/8	1.6 1.7 1.9	1.8
AK44	4.25	3.66	4.0	3s	3/4	1-5/32	15/32	1/16	5/8, 3/4, 7/8, 15/16, 1, 1/2, 1-1/8	1.6 1.7 1.9	1.9
AK46	4.45	3.86	4.2	3s	3/4	1-5/32	15/32	1/16	5/8, 3/4, 7/8, 15/16, 1, 1/2, 1-1/8	1.6 1.7 1.9	2.0
AK49	4.75	4.16	4.5	3s	3/4	1-5/32	15/32	1/16	5/8, 3/4, 7/8, 15/16, 1, 1/2, 1-1/8	1.6 1.7 2.0	2.2
AK51	4.95	4.36	4.7	3s	3/4	1-5/32	15/32	1/16	5/8, 3/4, 7/8, 15/16, 1, 1/2, 1-1/8	1.6 1.7 2.0	2.4
AK54	5.25	4.66	5.0	3s	3/4	1-5/32	15/32	1/16	5/8, 3/4, 7/8, 15/16, 1, 1/2, 1-1/8, 1-3/16	1.6 1.7 2.0	2.6
AK56	5.45	4.86	5.2	3s	3/4	1-5/32	15/32	1/16	5/8, 3/4, 7/8, 15/16, 1, 1/2, 1-1/8, 1-3/16	1.6 1.7 2.0	2.7
AK59	5.75	5.16	5.5	3s	3/4	1-5/32	15/32	1/16	5/8, 3/4, 7/8, 15/16, 1, 1/2, 1-1/8, 1-3/16	1.6 1.7 2.0	2.9

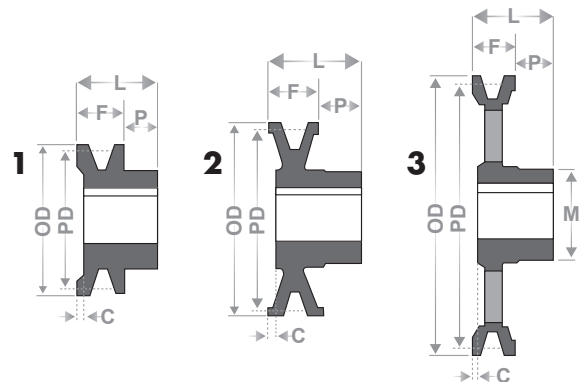
O.D. = Outside Diameter (OD in diagram)

TYPE:

1, 2, 3 (see diagram)

s = Solid w = Web k = Spoke

DIMENSIONS: F, L, P, C (refer to diagram)



MPB SHEAVES
METAL PRODUCTS

MPB MINIMUM PLAIN BORE SHEAVES

CLASSICAL V-BELT PROFILES

A PROFILES



A CLASSICAL PROFILE SINGLE GROOVE MPB SHEAVES

PART NUMBER	DIAMETERS			TYPE	DIMENSIONS				STOCK BORES (IN)	HUB DIA. (MM)	EST. WEIGHT
	O.D.	PITCH			F	L	P	C			
		3L	4L or A								
AK61	5.95	5.36	5.7	3s	3/4	1-5/32	15/32	1/16	5/8, 3/4, 7/8, 15/16, 1, 1/2, 1-1/8, 1-3/16	1.6 1.7 2.0	3.2
AK64	6.25	6.00	6.0	3w	3/4	1-5/32	15/32	1/16	5/8, 3/4, 7/8, 15/16, 1, 1/2, 1-1/8, 1-3/16	1.6 1.7 2.0	3.0
AK66	6.45	5.86	6.20	3w	3/4	1-5/32	15/32	1/16	5/8, 3/4, 1, 1-1/8	1.6 1.7 2.0	3.1
AK69	6.75	6.16	6.50	3w	3/4	1-15/32	23/32	0	3/4, 1, 1-1/8	1.6 1.7 2.2	3.5
AK71	6.95	6.36	6.70	3w	3/4	1-15/32	23/32	0	5/8, 3/4, 7/8, 1, 1-1/8, 1-7/16	1.6 1.7 2.2 2.5	3.8
AK74	7.25	6.66	7.00	3w	3/4	1-15/32	23/32	0	5/8, 3/4, 15/16, 1, 1-1/8, 1-3/16, 1-1/4, 1/2, 1-7/16	1.6 1.7 2.2 2.5	4.2
AK79	7.75	7.16	7.50	3w	3/4	1-15/32	23/32	0	3/4, 1, 1-1/8, 1-7/16	1.6 1.7 2.2 2.5	4.5
AK84	8.25	7.66	8.00	3w	3/4	1-15/32	23/32	0	5/8, 3/4, 15/16, 1, 1-3/16, 1/2, 1-7/16	1.6 1.7 2.2 2.5	5.0
AK89	8.75	8.16	8.50	3w	3/4	1-15/32	23/32	0	3/4, 1, 1-1/8, 1-7/16	1.6 1.7 2.2 2.5	5.4
AK94	9.25	8.66	9.00	3w	3/4	1-15/32	23/32	0	5/8, 3/4, 15/16, 1, 1-3/16, 1-1/4, 1/2, 1-7/16	1.6 1.7 2.2 2.5	5.9
AK99	9.75	9.16	9.50	3k	3/4	1-15/32	23/32	0	3/4, 1, 1-7/16	1.7 2.5	6.1
AK104	10.25	9.66	10.00	3k	3/4	1-15/32	23/32	0	5/8, 3/4, 1, 1-3/16, 1-1/4, 1-3/8, 1-7/16	1.7 2.2 2.5	6.9
AK109	10.75	10.16	10.50	3k	3/4	1-15/32	23/32	0	3/4, 1, 1-3/8, 1-7/16	1.7 2.2 2.5	7.3
AK114	11.25	10.66	11.00	3k	3/4	1-15/32	23/32	0	3/4, 1, 1-3/16, 1-7/16	1.7 2.2 2.5	7.4

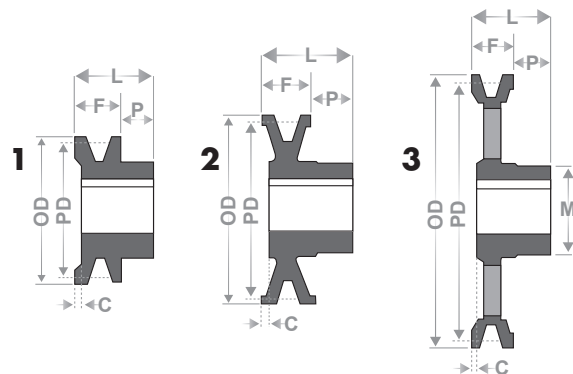
O.D. = Outside Diameter (OD in diagram)

TYPE:

1, 2, 3 (see diagram)

s = Solid w = Web k = Spoke

DIMENSIONS: F, L, P, C (refer to diagram)



MPB SHEAVES
METAL PRODUCTS



MPB MINIMUM PLAIN BORE SHEAVES

A PROFILES

CLASSICAL V-BELT PROFILES

A CLASSICAL PROFILE SINGLE GROOVE MPB SHEAVES

PART NUMBER	DIAMETERS			TYPE	DIMENSIONS				STOCK BORES (IN)	HUB DIA. (MM)	EST. WEIGHT
	O.D.	PITCH			F	L	P	C			
		3L	4L or A								
AK124	12.25	11.66	12.00	3k	3/4	1-15/32	23/32	0	5/8, 3/4, 7/8, 1, 1-3/16, 1-1/4, 1-7/16	1.7 2.2 2.5	8.3
AK134	13.25	12.66	13.00	3k	3/4	1-15/32	23/32	0	3/4, 1, 1-3/16, 1-3/8, 1-7/16	1.7 2.2 2.5	9.3
AK144	14.25	13.66	14.00	3k	3/4	1-15/32	23/32	0	3/4, 1, 1-3/16, 1-7/16	1.7 2.2 2.5	10.8
AK154	15.25	14.66	15.00	3k	3/4	1-15/32	23/32	0	3/4, 1, 1-3/16, 1-3/8, 1-7/16	1.7 2.2 2.5	12.6
AK184	18.25	17.66	18.00	3k	3/4	1-15/32	23/32	0	3/4, 1, 1-3/16, 1-7/16	1.7 2.2 2.5	17.1

A CLASSICAL PROFILE TWO GROOVE MPB SHEAVES

PART NUMBER	DIAMETERS			TYPE	DIMENSIONS				STOCK BORES (IN)	HUB DIA. (MM)	EST. WEIGHT
	O.D.	PITCH			F	L	P	C			
		3L	4L or A								
2AK20	2.00	1.46	1.80	1s	1-3/8	1-21/32	15/32	3/16	1/2, 5/8, 3/4, 7/8	1.6	0.83
2AK21	2.15	1.56	1.90	1s	1-3/8	1-21/32	15/32	3/16	1/2, 5/8, 3/4	1.6	0.97
2AK22	2.25	1.66	2.00	1s	1-3/8	1-21/32	15/32	3/16	1/2, 5/8, 3/4, 7/8	1.6	1.0
2AK23	2.35	1.76	2.10	1s	1-3/8	1-21/32	15/32	3/16	5/8, 3/4, 7/8, 1	1.7	1.1
2AK25	2.55	1.96	2.30	1s	1-3/8	1-21/32	15/32	3/16	5/8, 3/4, 7/8, 1	1.7	1.3
2AK26	2.65	2.06	2.40	1s	1-3/8	1-21/32	15/32	3/16	5/8, 3/4, 7/8, 1	1.7	1.4
2AK27	2.75	2.16	2.50	1s	1-3/8	1-21/32	15/32	3/16	5/8, 3/4, 7/8, 1	1.9	1.6
2AK28	2.85	2.26	2.60	1s	1-3/8	1-21/32	15/32	3/16	5/8, 3/4, 7/8, 1	1.9	1.7
2AK30	3.05	2.46	2.80	1s	1-3/8	1-21/32	15/32	3/16	1/2, 5/8, 3/4, 7/8, 1, 1-1/8	1.9	2.0
2AK32	3.25	2.66	3.00	1s	1-3/8	1-21/32	15/32	3/16	1/2, 5/8, 3/4, 7/8, 1, 1-1/8	1.9	2.3
2AK34	3.45	2.86	3.20	1s	1-3/8	1-21/32	15/32	3/16	1/2, 5/8, 3/4, 7/8, 1, 1-1/8	1.9	2.5
2AK39	3.75	3.16	3.50	2s	1-3/8	1-11/32	15/32	1/2	1/2, 5/8, 3/4, 7/8, 1, 1-1/8	1.9	2.6
2AK41	3.95	3.36	3.70	2s	1-3/8	1-11/32	15/32	1/2	5/8, 3/4, 7/8, 1, 1-1/8	1.9	2.8
2AK44	4.25	3.66	4.00	2s	1-3/8	1-11/32	15/32	1/2	5/8, 3/4, 7/8, 1, 1-1/8	1.9	3.2
2AK46	4.45	3.86	4.20	2s	1-3/8	1-11/32	15/32	1/2	7/8 1, 1-1/8	1.6 1.9	2.9
2AK49	4.75	4.16	4.50	2s	1-3/8	1-11/32	15/32	1/2	3/4, 7/8 1, 1-1/8 1-3/8	1.6 1.9 2.4	3.2

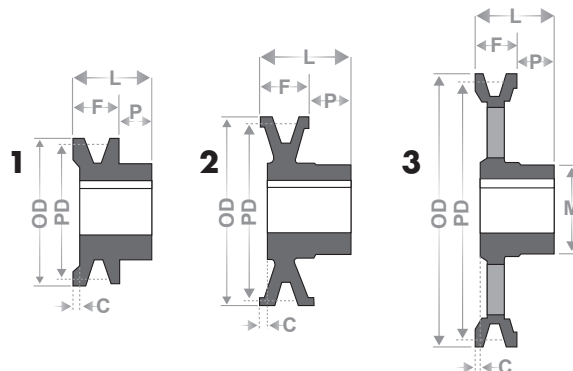
O.D. = Outside Diameter (OD in diagram)

TYPE:

1, 2, 3 (see diagram)

s = Solid w = Web k = Spoke

DIMENSIONS: F, L, P, C (refer to diagram)



MPB SHEAVES
METAL PRODUCTS

MPB MINIMUM PLAIN BORE SHEAVES

CLASSICAL V-BELT PROFILES

A PROFILES



A STANDARD PROFILE TWO GROOVE MPB SHEAVES

PART NUMBER	DIAMETERS			TYPE	DIMENSIONS				STOCK BORES (IN)	HUB DIA. (MM)	EST. WEIGHT
	O.D.	PITCH			F	L	P	C			
		3L	4L or A								
2AK51	4.75	4.36	4.70	2s	1-3/8	1-11/32	15/32	1/2	3/4, 7/8 1, 1-1/8 1-3/8	1.6 1.9 2.4	3.4
2AK54	4.95	4.66	5.00	3s	1-3/8	1-11/32	15/32	1/2	5/8, 3/4, 7/8, 1 1-1/8 1-3/8	1.6 1.9 2.4	3.7
2AK56	5.25	4.86	5.20	3s	1-3/8	1-11/32	15/32	1/2	5/8, 3/4, 1 1-1/8 1-3/8	1.6 1.9 2.4	3.9
2AK59	5.45	5.16	5.50	3s	1-3/8	1-11/32	15/32	1/2	1, 1-1/8 1-3/8	1.9 2.4	4.4
2AK61	5.75	5.36	5.70	3s	1-3/8	1-11/32	15/32	1/2	3/4, 7/8 1, 1-1/8 1-3/8	1.6 1.9 2.4	4.5
2AK64	5.95	5.66	6.00	3s	1-3/8	1-19/32	11/32	1/8	3/4, 1 1-1/8, 1-3/16 1-3/8, 1-7/16	1.7 2.0 2.5	5.2
2AK74	6.25	6.66	7.00	3w	1-3/8	1-19/32	11/32	1/8	3/4, 1 1-1/8, 1-3/16 1-3/8, 1-7/16	1.7 2.0 2.5	6.0
2AK84	7.25	7.66	8.00	3w	1-3/8	1-19/32	11/32	1/8	3/4, 15/16, 1 1-1/8, 1-3/16, 1-1/4 1-3/8, 1-7/16	1.7 2.0 2.5	7.0
2AK94	8.25	8.66	9.00	3w	1-3/8	1-19/32	11/32	1/8	3/4, 1 1-1/8, 1-3/16 1-3/8, 1-7/16	1.7 2.0 2.5	8.2
2AK104	10.25	9.66	10.00	3k	1-3/8	1-19/32	11/32	1/8	3/4, 15/16, 1 1-7/16	1.7 2.5	9.6
2AK114	11.25	10.66	11.00	3k	1-3/8	1-19/32	11/32	1/8	3/4, 1 1-3/16 1-3/8, 1-7/16	1.7 2.2 2.5	11.2
2AK124	12.25	11.66	12.00	3k	1-3/8	1-19/32	11/32	1/8	3/4, 1 1-3/16 1-7/16	1.7 2.2 2.5	12.1
2AK134	13.25	12.66	13.00	3k	1-3/8	1-19/32	11/32	1/8	1-3/16 1-7/16	2.2 2.5	13.6
2AK144	14.25	13.66	14.00	3k	1-3/8	1-19/32	11/32	1/8	1 1-7/16	1.7 2.5	14.6
2AK154	15.25	14.66	15.00	3k	1-3/8	1-19/32	11/32	1/8	1-3/16 1-7/16	2.2 2.5	16.5
2AK184	18.25	17.66	18.00	3k	1-3/8	1-19/32	11/32	1/8	1-3/16 1-7/16	2.2 2.5	22.7

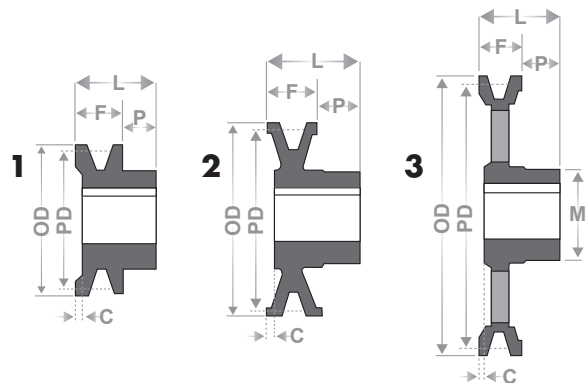
O.D. = Outside Diameter (OD in diagram)

TYPE:

1, 2, 3 (see diagram)

s = Solid w = Web k = Spoke

DIMENSIONS: F, L, P, C (refer to diagram)



MPB SHEAVES
METAL PRODUCTS



MPB MINIMUM PLAIN BORE SHEAVES

B PROFILES

CLASSICAL V-BELT PROFILES

B CLASSICAL PROFILE SINGLE GROOVE MPB SHEAVES

PART NUMBER	DIAMETERS			TYPE	DIMENSIONS				STOCK BORES (IN)	HUB DIA. (MM)	EST. WEIGHT
	O.D.	PITCH			F	L	P	C			
		3L	4L or A								
BK24	2.40	1.80	2.20	1s	13/16	1-1/6	13/32	5/32	1/2, 5/8, 3/4, 7/8	1.6	0.73
BK25	2.50	1.90	2.30	1s	13/16	1-1/6	13/32	5/32	1/2, 5/8, 3/4, 7/8 1	1.6 1.7	0.74
BK26	2.60	2.00	2.40	1s	13/16	1-1/6	13/32	5/32	1/2, 5/8, 3/4, 7/8	1.6	0.80
BK27	2.70	2.10	2.50	2s	13/16	1-1/6	13/32	5/32	1/2, 5/8, 3/4, 7/8 1	1.6 1.7	0.84
BK28	2.95	2.20	2.60	2s	13/16	1-1/6	13/32	5/32	1/2, 5/8, 3/4, 7/8 1, 1-1/8	1.6 1.9	1.0
BK30	3.15	2.40	2.80	2s	13/16	1-1/6	13/32	5/32	1/2, 5/8, 3/4, 7/8 1, 1-1/8	1.6 1.9	1.2
BK32	3.35	2.60	3.00	2s	13/16	1-1/6	13/32	5/32	1/2, 5/8, 3/4, 7/8 1, 1-1/8	1.6 1.9	1.2
BK34	3.55	2.80	3.20	2s	7/8	1-5/32	13/32	1/8	1/2, 5/8, 3/4, 7/8, 1, 1-1/8	1.9	1.7
BK36	3.75	3.00	3.40	2s	7/8	1-5/32	13/32	1/8	1/2, 5/8, 3/4, 7/8, 1, 1-1/8	1.9	1.9
BK40	3.95	3.20	3.60	2s	7/8	1-5/32	13/32	1/8	1/2, 5/8, 3/4, 7/8, 1, 1-1/8	1.9	2.1
BK45	4.25	3.50	3.90	2s	7/8	1-5/32	13/32	1/8	5/8, 3/4, 7/8 1 1/2, 1-1/8	1.6 1.7 1.9	2.1
BK47	4.45	3.70	4.10	2s	7/8	1-5/32	13/32	1/8	5/8, 3/4, 7/8 1 1/2, 1-1/8	1.6 1.7 1.9	2.2
BK50	4.75	4.00	4.40	3s	7/8	1-5/32	13/32	1/8	5/8, 3/4, 7/8 1 1/2, 1-1/8	1.6 1.7 1.9	2.5
BK52	4.95	4.20	4.60	3s	7/8	1-5/32	13/32	1/8	5/8, 3/4, 7/8 1 1/2, 1-1/8	1.6 1.7 1.9	2.6
BK55	5.25	4.50	4.90	3s	7/8	1-5/32	13/32	1/8	5/8, 3/4, 7/8 1 1/2, 1-1/8, 1-3/16	1.6 1.7 2.0	3.0
BK57	5.45	4.70	5.10	3s	7/8	1-5/32	13/32	1/8	5/8, 3/4, 7/8 15/16, 1 1-1/8, 1-3/16	1.6 1.7 2.0	3.1
BK60	5.75	5.00	5.40	3s	7/8	1-5/32	13/32	1/8	5/8, 3/4, 7/8 1 1/2, 1-1/8, 1-3/16	1.6 1.7 2.0	3.4
BK62	5.95	5.20	5.60	3s	7/8	1-5/32	13/32	1/8	5/8, 3/4, 7/8 15/16, 1 1/2, 1-1/8, 1-3/16	1.6 1.7 2.0	3.6
BK65	6.25	5.50	5.90	3s	7/8	1-5/32	13/32	1/8	5/8, 3/4 1 1-1/8	1.6 1.7 2.0	3.9

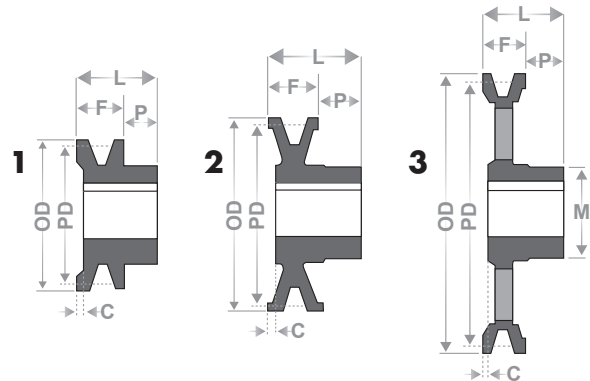
O.D. = Outside Diameter (OD in diagram)

TYPE:

1, 2, 3 (see diagram)

s = Solid w = Web k = Spoke

DIMENSIONS: F, L, P, C (refer to diagram)



MPB MINIMUM PLAIN BORE SHEAVES

CLASSICAL V-BELT PROFILES

B PROFILES



B CLASSICAL PROFILE SINGLE GROOVE MPB SHEAVES

PART NUMBER	DIAMETERS			TYPE	DIMENSIONS				STOCK BORES (IN)	HUB DIA. (MM)	EST. WEIGHT
	O.D.	PITCH			F	L	P	C			
		3L	4L or A								
BK67	6.45	5.70	6.10	3s	7/8	1-5/32	13/32	1/8	5/8, 3/4 1 1-1/8, 1-3/16	1.6 1.7 2.0	3.7
BK70	6.75	6.00	6.40	3s	7/8	1-5/32	21/32	1/16	5/8, 3/4, 7/8 15/16, 1 1-1/8, 1-3/16 1-7/16	1.6 1.7 2.0 2.5	4.6
BK72	6.95	6.20	6.60	3w	7/8	1-15/32	21/32	1/16	3/4 1 1-1/8 1-3/8	1.6 1.7 2.0 2.5	4.4
BK75	7.25	6.50	6.90	3w	7/8	1-15/32	21/32	1/16	3/4 1, 1-1/8	1.6 1.9	4.6
BK77	7.45	6.70	7.10	3w	7/8	1-15/32	21/32	1/16	3/4 1, 1-1/8 1-3/8	1.6 1.9 2.5	5.1
BK80	7.75	7.00	7.40	3w	7/8	1-15/32	21/32	1/16	5/8, 3/4, 7/8 1, 1-1/8 1-3/16, 1-1/4 1-3/8, 1-7/16	1.6 1.9 2.2 2.5	5.4
BK85	8.25	7.50	7.90	3w	7/8	1-15/32	21/32	1/16	3/4 1 1-1/8 1-3/8, 1-7/16	1.6 1.9 2.2 2.5	5.8
BK90	8.75	8.00	8.40	3w	7/8	1-15/32	21/32	1/16	3/4, 7/8 15/16, 1 1-1/8, 1-3/16 1-3/8, 1-7/16	1.6 1.7 2.2 2.5	6.1
BK95	9.25	8.50	8.90	3w	7/8	1-15/32	21/32	1/16	3/4 1 1-1/8 1-3/8	1.6 1.7 2.2 2.5	7.0
BK100	9.75	9.00	9.40	3w	7/8	1-15/32	21/32	1/16	3/4, 7/8 15/16, 1 1-1/8, 1-3/16, 1-1/4 1-3/8, 1-7/16	1.6 1.7 2.2 2.5	7.4
BK105	10.25	9.50	9.90	3w	7/8	1-15/32	21/32	1/16	1 1-3/8, 1-7/16	1.7 2.5	8.0
BK110	10.75	10.00	10.40	3k	7/8	1-15/32	21/32	1/16	3/4, 1 1-1/8, 1-3/16 1-3/8, 1-7/16	1.7 2.2 2.5	8.5
BK115	11.25	10.50	10.90	3k	7/8	1-15/32	21/32	1/16	1 1-7/16	1.7 2.5	8.9

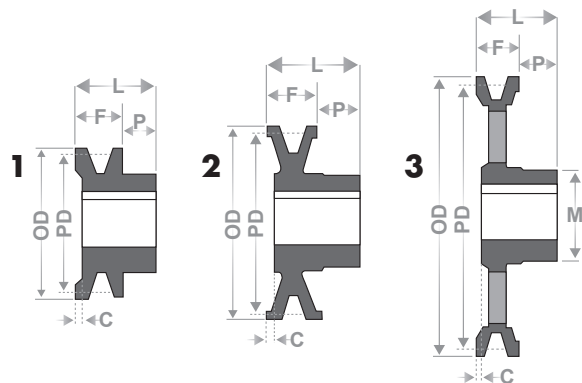
O.D. = Outside Diameter (OD in diagram)

TYPE:

1, 2, 3 (see diagram)

s = Solid w = Web k = Spoke

DIMENSIONS: F, L, P, C (refer to diagram)



MPB SHEAVES
METAL PRODUCTS



MPB MINIMUM PLAIN BORE SHEAVES

B PROFILES

CLASSICAL V-BELT PROFILES

B CLASSICAL PROFILE SINGLE GROOVE MPB SHEAVES

PART NUMBER	DIAMETERS			TYPE	DIMENSIONS				STOCK BORES (IN)	HUB DIA. (MM)	EST. WEIGHT
	O.D.	PITCH			F	L	P	C			
		3L	4L or A								
BK120	11.75	11.00	11.40	3k	7/8	1-15/32	21/32	1/16	3/4, 1 1-3/16 1-7/16	1.7 2.2 2.5	10.0
BK130	12.75	12.00	12.40	3k	7/8	1-15/32	21/32	1/16	3/4, 1 1-1/8, 1-3/16, 1-1/4 1-7/16	1.7 2.2 2.5	10.8
BK140	13.75	13.00	13.40	3k	7/8	1-15/32	21/32	1/16	3/4, 1 1-3/16, 1-7/16	1.7 2.2	12.1
BK160	15.75	15.00	15.40	3k	7/8	1-15/32	21/32	1/16	1 1-1/8, 1-3/16, 1-1/4 1-7/16	1.7 2.2 2.5	14.4
BK190	18.75	18.00	18.40	3k	7/8	1-15/32	21/32	1/16	1 1-3/16, 1-1/4 1-7/16	1.7 2.2 2.5	21.3

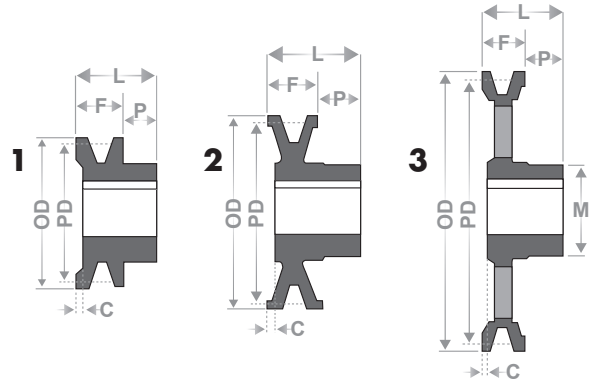
O.D. = Outside Diameter (OD in diagram)

TYPE:

1, 2, 3 (see diagram)

s = Solid **w** = Web **k** = Spoke

DIMENSIONS: F, L, P, C (refer to diagram)



MPB MINIMUM PLAIN BORE SHEAVES

CLASSICAL V-BELT PROFILES

B PROFILES



B CLASSICAL PROFILE 2 GROOVE MPB SHEAVES

PART NUMBER	DIAMETERS			TYPE	DIMENSIONS				STOCK BORES (IN)	HUB DIA. (MM)	EST. WEIGHT
	O.D.	PITCH			F	L	P	C			
		3L	4L or A								
2BK25	2.50	1.90	2.30	1s	1-3/4	1-31/32	15/32	1/4	1/2, 5/8, 3/4, 7/8	1.6	1.5
2BK27	2.70	2.10	2.50	1s	1-3/4	1-31/32	15/32	1/4	1/2, 5/8, 3/4, 7/8, 1, 1-1/8	1.7	1.7
2BK28	2.95	2.20	2.60	1s	1-3/4	1-31/32	15/32	1/4	1/2, 5/8, 3/4, 7/8, 1, 1-1/8	1.9	2.1
2BK30	3.15	2.40	2.80	1s	1-3/4	1-31/32	15/32	1/4	1/2, 5/8, 3/4, 7/8, 1, 1-1/8 1-3/8	1.9 2.4	2.3
2BK32	3.35	2.60	3.00	1s	1-3/4	1-31/32	15/32	1/4	5/8, 3/4, 7/8 1, 1-1/8	1.6 1.9	2.7
2BK34	3.55	2.80	3.20	1s	1-3/4	1-31/32	15/32	1/4	5/8, 3/4, 7/8 1, 1-1/8	1.6 1.9	3.1
2BK36	3.75	3.00	3.40	1s	1-3/4	1-31/32	15/32	1/4	5/8, 3/4, 7/8 1, 1-1/8 1-3/8	1.6 1.9 2.4	3.4
2BK40	3.95	3.20	3.60	2s	1-3/4	1-15/32	15/32	3/4	5/8, 3/4, 7/8 1, 1-1/8	1.6 1.9	3.4
2BK45	4.25	3.50	3.90	2s	1-3/4	1-15/32	15/32	3/4	1, 1-1/8 1-3/8	1.9 2.4	4.0
2BK47	4.45	3.70	4.10	2s	1-3/4	1-15/32	15/32	3/4	7/8 1, 1-1/8 1-3/8	1.6 1.9 2.4	4.2
2BK50	4.75	4.00	4.40	2s	1-3/4	1-15/32	15/32	3/4	3/4 1, 1-1/8 1-3/8	1.6 1.9 2.4	4.8
2BK52	4.95	4.20	4.60	2s	1-3/4	1-15/32	15/32	3/4	5/8, 7/8 1, 1-1/8 1-3/8	1.6 1.9 2.4	5.2
2BK55	5.25	4.50	4.90	2s	1-3/4	1-15/32	15/32	3/4	1-1/8 1-3/8	1.9 2.4	5.8
2BK57	5.45	4.70	5.10	2s	1-3/4	1-15/32	15/32	3/4	1, 1-1/8 1-3/8	1.9 2.4	5.4
2BK60	5.75	5.00	5.40	3s	1-3/4	1-15/32	15/32	3/4	3/4, 7/8 1, 1-1/8 1-3/8	1.6 1.9 2.4	5.7
2BK62	5.95	5.20	5.60	3s	1-3/4	1-15/32	15/32	3/4	1, 1-1/8	1.9	6.0
2BK65	6.25	5.50	5.90	3s	1-3/4	1-15/32	15/32	3/4	1, 1-1/8 1-3/8	1.9 2.4	6.5
2BK67	6.45	5.70	6.10	3s	1-3/4	1-15/32	15/32	3/4	1, 1-1/8 1-3/8	1.9 2.4	6.8
2BK70	6.75	6.00	6.40	3s	1-3/4	1-19/32	11/32	1/2	3/4 1, 1-1/8 1-3/16 1-3/8, 1-7/16	1.6 1.9 2.0 2.4	7.6

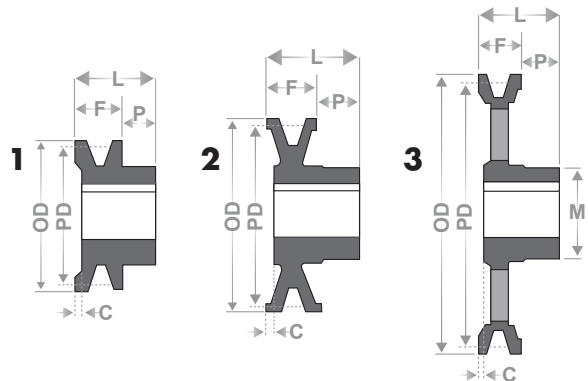
O.D. = Outside Diameter (OD in diagram)

TYPE:

1, 2, 3 (see diagram)

s = Solid w = Web k = Spoke

DIMENSIONS: F, L, P, C (refer to diagram)



MPB SHEAVES
METAL PRODUCTS



MPB MINIMUM PLAIN BORE SHEAVES

B PROFILES

CLASSICAL V-BELT PROFILES

B CLASSICAL PROFILE SINGLE GROOVE MPB SHEAVES

PART NUMBER	DIAMETERS			TYPE	DIMENSIONS				STOCK BORES (IN)	HUB DIA. (MM)	EST. WEIGHT
	O.D.	PITCH			F	L	P	C			
		3L	4L or A								
2BK80	7.75	7.00	7.40	3w	1-3/4	1-19/32	11/32	1/2	3/4 1, 1-1/8 1-3/16 1-3/8, 1-7/16	1.6 1.9 2.0 2.5	8.7
2BK90	8.75	8.00	8.40	3w	1-3/4	1-19/32	11/32	1/2	3/4 1, 1-1/8 1-3/16 1-3/8, 1-7/16	1.6 1.9 2.0 2.5	10.0
2BK100	9.75	9.00	9.40	3w	1-3/4	1-19/32	11/32	1/2	3/4 1, 1-1/8 1-3/16 1-3/8, 1-7/16	1.6 1.9 2.0 2.5	11.8
2BK110	10.75	10.00	10.40	3k	1-3/4	1-19/32	11/32	1/2	1 1-3/16 1-7/16	1.7 2.2 2.5	14.0
2BK120	11.75	11.00	11.40	3k	1-3/4	1-19/32	11/32	1/2	1 1-3/16 1-7/16	1.7 2.2 2.5	15.6
2BK130	12.75	12.00	12.40	3k	1-3/4	1-19/32	11/32	1/2	1 1-3/16 1-7/16	1.7 2.2 2.5	17.0
2BK140	13.75	13.00	13.40	3k	1-3/4	1-19/32	11/32	1/2	1 1-3/16 1-7/16	1.7 2.2 2.5	19.0
2BK160	15.75	15.00	15.40	3k	1-3/4	1-19/32	11/32	1/2	1 1-3/16 1-7/16	1.7 2.2 2.5	23.7
2BK190	18.75	18.00	18.40	3k	1-3/4	1-19/32	11/32	1/2	1-3/16, 1-1/4 1-7/16	2.2 2.5	30.3

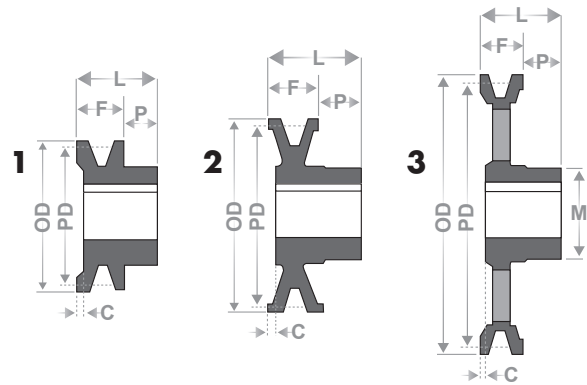
O.D. = Outside Diameter (OD in diagram)

TYPE:

1, 2, 3 (see diagram)

s = Solid w = Web k = Spoke

DIMENSIONS: F, L, P, C (refer to diagram)



MPB SHEAVES
METAL PRODUCTS



5M PROFILE TB TIMING PULLEYS

15mm BELT WIDTH		
PART NUMBER	BUSHING	WEIGHT (LBS)
TB 34-5M-15	1008	0.42
TB 36-5M-15	1108	0.44
TB 38-5M-15	1108	0.55
TB 40-5M-15	1108	0.68

15mm BELT WIDTH		
PART NUMBER	BUSHING	WEIGHT (LBS)
TB 44-5M-15	1108	0.88
TB 48-5M-15	1210	0.99
TB 56-5M-15	1210	1.48
TB 64-5M-15	1210	2.12

15mm BELT WIDTH		
PART NUMBER	BUSHING	WEIGHT (LBS)
TB 72-5M-15	1610	2.62
TB 80-5M-15	1610	3.46
TB 90-5M-15	1610	2.53

15mm BELT WIDTH		
PART NUMBER	BUSHING	WEIGHT (LBS)
TB 112-5M-15	1610	4.28
TB 136-5M-15	2012	6.75
TB 150-5M-15	2012	8.60

8M PROFILE TB TIMING PULLEYS

20mm BELT WIDTH		
PART NUMBER	BUSHING	WEIGHT (LBS)
TB 22-8M-20	1008	0.53
TB 24-8M-20	1108	0.66
TB 26-8M-20	1108	0.79
TB 28-8M-20	1108	0.97
TB 30-8M-20	1108	1.17

20mm BELT WIDTH		
PART NUMBER	BUSHING	WEIGHT (LBS)
TB 32-8M-20	1610	0.93
TB 34-8M-20	1610	1.21
TB 36-8M-20	1610	1.50
TB 38-8M-20	1610	1.76

20mm BELT WIDTH		
PART NUMBER	BUSHING	WEIGHT (LBS)
TB 40-8M-20	1610	2.20
TB 44-8M-20	2012	2.65
TB 48-8M-20	2012	3.53
TB 56-8M-20	2012	5.29

20mm BELT WIDTH		
PART NUMBER	BUSHING	WEIGHT (LBS)
TB 64-8M-20	2012	5.95
TB 72-8M-20	2012	7.28
TB 80-8M-20	2012	7.72
TB 90-8M-20	2012	8.05

30mm BELT WIDTH		
PART NUMBER	BUSHING	WEIGHT (LBS)
TB 22-8M-30	1008	0.64
TB 24-8M-30	1108	0.84
TB 26-8M-30	1108	0.99
TB 28-8M-30	1210	1.21
TB 30-8M-30	1615	0.99

30mm BELT WIDTH		
PART NUMBER	BUSHING	WEIGHT (LBS)
TB 32-8M-30	1615	1.30
TB 34-8M-30	1615	1.70
TB 36-8M-30	1615	2.12
TB 38-8M-30	1615	2.54
TB 40-8M-30	1615	2.95

30mm BELT WIDTH		
PART NUMBER	BUSHING	WEIGHT (LBS)
TB 44-8M-30	2012	2.93
TB 48-8M-30	2012	3.92
TB 56-8M-30	2012	8.29
TB 64-8M-30	2517	9.26
TB 72-8M-30	2517	9.48

30mm BELT WIDTH		
PART NUMBER	BUSHING	WEIGHT (LBS)
TB 80-8M-30	2517	10.14
TB 90-8M-30	2517	11.02
TB 112-8M-30	2517	13.67
TB 144-8M-30	2517	20.28

50mm BELT WIDTH		
PART NUMBER	BUSHING	WEIGHT (LBS)
TB 28-8M-50	1210	1.68
TB 30-8M-50	1615	1.43
TB 32-8M-50	1615	1.81
TB 34-8M-50	1615	2.34
TB 36-8M-50	1615	2.87

50mm BELT WIDTH		
PART NUMBER	BUSHING	WEIGHT (LBS)
TB 38-8M-50	1615	3.53
TB 40-8M-50	2012	2.65
TB 44-8M-50	2012	3.77
TB 48-8M-50	2012	5.07
TB 56-8M-50	2517	7.50

50mm BELT WIDTH		
PART NUMBER	BUSHING	WEIGHT (LBS)
TB 64-8M-50	2517	11.02
TB 72-8M-50	2517	14.77
TB 80-8M-50	3020	19.40
TB 90-8M-50	3020	19.40

50mm BELT WIDTH		
PART NUMBER	BUSHING	WEIGHT (LBS)
TB 112-8M-50	3020	26.46
TB 144-8M-50	3020	33.51
TB 168-8M-50	3525	36.16
TB 192-8M-50	3525	48.06

85mm BELT WIDTH		
PART NUMBER	BUSHING	WEIGHT (LBS)
TB 34-8M-85	1615	2.95
TB 36-8M-85	1615	4.12
TB 38-8M-85	1615	4.85
TB 40-8M-85	2012	3.92

85mm BELT WIDTH		
PART NUMBER	BUSHING	WEIGHT (LBS)
TB 44-8M-85	2012	5.07
TB 48-8M-85	2517	5.86
TB 56-8M-85	2517	9.81
TB 64-8M-85	2517	14.77

85mm BELT WIDTH		
PART NUMBER	BUSHING	WEIGHT (LBS)
TB 72-8M-85	3020	17.64
TB 80-8M-85	3020	22.05
TB 90-8M-85	3020	23.81
TB 112-8M-85	3020	33.07

85mm BELT WIDTH		
PART NUMBER	BUSHING	WEIGHT (LBS)
TB 144-8M-85	3525	48.50
TB 168-8M-85	3525	50.71
TB 192-8M-85	3525	62.83

ORDERING EXAMPLES:

TB 72-5M-15 TB Bushing Type, 72 Number of Teeth, 5M Belt Section, 15mm Belt Width

TB 34-8M-30 TB Bushing Type, 34 Number of Teeth, 8M Belt Section, 30mm Belt Width

TB PULLEYS
METAL PRODUCTS



TB TIMING PULLEYS

14M PROFILES

STANDARD BORES

14M PROFILE TB TIMING PULLEYS

40mm BELT WIDTH		
PART NUMBER	BUSHING	WEIGHT (LBS)
TB 28-14M-40	2012	4.41
TB 29-14M-40	2012	5.25
TB 30-14M-40	2012	5.84
TB 32-14M-40	2012	7.50
TB 34-14M-40	2517	8.53

40mm BELT WIDTH		
PART NUMBER	BUSHING	WEIGHT (LBS)
TB 36-14M-40	2517	10.58
TB 38-14M-40	2517	11.90
TB 40-14M-40	2517	13.23
TB 44-14M-40	3020	17.20
TB 48-14M-40	3020	20.72

40mm BELT WIDTH		
PART NUMBER	BUSHING	WEIGHT (LBS)
TB 56-14M-40	3020	23.81
TB 64-14M-40	3020	29.54
TB 72-14M-40	3020	33.51
TB 80-14M-40	3020	35.27
TB 90-14M-40	3020	39.24

40mm BELT WIDTH		
PART NUMBER	BUSHING	WEIGHT (LBS)
TB 112-14M-40	3020	56.44
TB 144-14M-40	3020	72.75
TB 168-14M-40	3020	97.00
TB 192-14M-40	3020	108.03
TB 216-14M-40	3020	121.25

55mm BELT WIDTH		
PART NUMBER	BUSHING	WEIGHT (LBS)
TB 28-14M-55	2012	4.85
TB 29-14M-55	2012	6.04
TB 30-14M-55	2517	5.95
TB 32-14M-55	2517	8.07
TB 34-14M-55	2517	10.03

55mm BELT WIDTH		
PART NUMBER	BUSHING	WEIGHT (LBS)
TB 36-14M-55	2517	11.46
TB 38-14M-55	2517	13.67
TB 40-14M-55	2517	15.43
TB 44-14M-55	3020	18.96
TB 48-14M-55	3020	22.93

55mm BELT WIDTH		
PART NUMBER	BUSHING	WEIGHT (LBS)
TB 56-14M-55	3020	27.34
TB 64-14M-55	3020	31.97
TB 72-14M-55	3020	35.71
TB 80-14M-55	3020	38.58
TB 90-14M-55	3020	44.09

55mm BELT WIDTH		
PART NUMBER	BUSHING	WEIGHT (LBS)
TB 112-14M-55	3020	62.61
TB 144-14M-55	3020	79.81
TB 168-14M-55	3020	108.03
TB 192-14M-55	3020	79.81
TB 216-14M-55	3535	151.68

85mm BELT WIDTH		
PART NUMBER	BUSHING	WEIGHT (LBS)
TB 28-14M-85	2517	5.95
TB 29-14M-85	2517	7.50
TB 30-14M-85	2517	8.27
TB 32-14M-85	2517	10.58
TB 34-14M-85	2517	13.23

85mm BELT WIDTH		
PART NUMBER	BUSHING	WEIGHT (LBS)
TB 36-14M-85	3020	12.79
TB 38-14M-85	3020	14.99
TB 40-14M-85	3020	17.64
TB 44-14M-85	3030	26.01
TB 48-14M-85	3030	33.29

85mm BELT WIDTH		
PART NUMBER	BUSHING	WEIGHT (LBS)
TB 56-14M-85	3525	49.60
TB 64-14M-85	3525	57.32
TB 72-14M-85	3525	56.22
TB 80-14M-85	3525	64.37
TB 90-14M-85	3525	67.90

85mm BELT WIDTH		
PART NUMBER	BUSHING	WEIGHT (LBS)
TB 112-14M-85	3525	87.08
TB 144-14M-85	3525	112.43
TB 168-14M-85	3525	134.48
TB 192-14M-85	4040	189.60
TB 216-14M-85	4040	201.72

115mm BELT WIDTH		
PART NUMBER	BUSHING	WEIGHT (LBS)
TB 28-14M-115	2517	8.31
TB 29-14M-115	2517	8.82
TB 30-14M-115	2517	11.02
TB 32-14M-115	2517	14.99
TB 34-14M-115	2517	14.99

115mm BELT WIDTH		
PART NUMBER	BUSHING	WEIGHT (LBS)
TB 36-14M-115	3020	15.43
TB 38-14M-115	3020	18.52
TB 40-14M-115	3020	20.28
TB 44-14M-115	3030	30.86
TB 48-14M-115	3030	37.92

115mm BELT WIDTH		
PART NUMBER	BUSHING	WEIGHT (LBS)
TB 56-14M-115	3535	54.67
TB 64-14M-115	3535	63.93
TB 72-14M-115	3535	63.93
TB 80-14M-115	3535	72.75
TB 90-14M-115	3535	80.47

115mm BELT WIDTH		
PART NUMBER	BUSHING	WEIGHT (LBS)
TB 112-14M-115	3535	101.41
TB 144-14M-115	4040	149.91
TB 168-14M-115	4040	182.10
TB 192-14M-115	4040	211.64
TB 216-14M-115	4040	235.89

170mm BELT WIDTH		
PART NUMBER	BUSHING	WEIGHT (LBS)
TB 38-14M-170	3030	25.79
TB 40-14M-170	3030	28.66
TB 44-14M-170	3535	33.07
TB 48-14M-170	3535	66.89

170mm BELT WIDTH		
PART NUMBER	BUSHING	WEIGHT (LBS)
TB 56-14M-170	3535	62.83
TB 64-14M-170	4040	90.39
TB 72-14M-170	4040	103.40
TB 80-14M-170	4040	105.82

170mm BELT WIDTH		
PART NUMBER	BUSHING	WEIGHT (LBS)
TB 90-14M-170	4040	115.74
TB 112-14M-170	5050	164.24
TB 144-14M-170	5050	200.62

170mm BELT WIDTH		
PART NUMBER	BUSHING	WEIGHT (LBS)
TB 168-14M-170	5050	255.73
TB 192-14M-170	5050	267.42
TB 216-14M-170	5050	300.82

ORDERING EXAMPLE:

TB 28-14M-115 TB Bushing Type, 28 Number of Teeth, 14M Belt Section, 115mm Belt Width

TB PULLEYS
METAL PRODUCTS



L PROFILE TB TIMING PULLEYS

0.5 in. BELT WIDTH		
PART NUMBER	BUSHING	WEIGHT (LBS)
TB 18-L-050	1108	0.44
TB 19-L-050	1108	0.44
TB 20-L-050	1108	0.44
TB 21-L-050	1108	0.66
TB 22-L-050	1108	0.66
TB 23-L-050	1108	0.88

0.5 in. BELT WIDTH		
PART NUMBER	BUSHING	WEIGHT (LBS)
TB 24-L-050	1108	0.88
TB 25-L-050	1108	1.10
TB 26-L-050	1108	1.10
TB 27-L-050	1108	1.32
TB 28-L-050	1108	1.32

0.5 in. BELT WIDTH		
PART NUMBER	BUSHING	WEIGHT (LBS)
TB 30-L-050	1108	1.76
TB 32-L-050	1108	1.98
TB 36-L-050	1108	2.65
TB 40-L-050	1610	6.61
TB 48-L-050	1610	5.07

0.5 in. BELT WIDTH		
PART NUMBER	BUSHING	WEIGHT (LBS)
TB 60-L-050	1610	4.41
TB 72-L-050	1610	6.61
TB 84-L-050	1610	8.82
TB 96-L-050	2012	12.13
TB 120-L-050	2012	14.99

0.75 in. BELT WIDTH		
PART NUMBER	BUSHING	WEIGHT (LBS)
TB 18-L-075	1108	0.44
TB 19-L-075	1108	0.66
TB 20-L-075	1108	0.66
TB 21-L-075	1108	0.88
TB 22-L-075	1108	0.88
TB 23-L-075	1108	0.88

0.75 in. BELT WIDTH		
PART NUMBER	BUSHING	WEIGHT (LBS)
TB 24-L-075	1108	1.10
TB 25-L-075	1108	1.32
TB 26-L-075	1108	1.32
TB 27-L-075	1108	1.54
TB 28-L-075	1108	1.54

0.75 in. BELT WIDTH		
PART NUMBER	BUSHING	WEIGHT (LBS)
TB 30-L-075	1108	1.98
TB 32-L-075	1108	2.20
TB 36-L-075	1610	2.65
TB 40-L-075	1610	3.75
TB 48-L-075	1610	5.51

0.75 in. BELT WIDTH		
PART NUMBER	BUSHING	WEIGHT (LBS)
TB 60-L-075	1610	6.61
TB 72-L-075	1610	8.82
TB 84-L-075	2012	11.46
TB 96-L-075	2012	14.33
TB 120-L-075	2012	16.75

1 in. BELT WIDTH		
PART NUMBER	BUSHING	WEIGHT (LBS)
TB 18-L-100	1108	0.44
TB 19-L-100	1108	0.66
TB 20-L-100	1108	0.88
TB 21-L-100	1108	0.88
TB 22-L-100	1108	0.88
TB 23-L-100	1108	1.10

1 in. BELT WIDTH		
PART NUMBER	BUSHING	WEIGHT (LBS)
TB 24-L-100	1108	1.32
TB 25-L-100	1108	1.32
TB 26-L-100	1108	1.54
TB 27-L-100	1108	1.76
TB 28-L-100	1108	1.76

1 in. BELT WIDTH		
PART NUMBER	BUSHING	WEIGHT (LBS)
TB 30-L-100	1210	1.98
TB 32-L-100	1210	2.20
TB 36-L-100	1610	3.09
TB 40-L-100	1610	3.75
TB 48-L-100	1610	5.95

1 in. BELT WIDTH		
PART NUMBER	BUSHING	WEIGHT (LBS)
TB 60-L-100	1610	5.29
TB 72-L-100	2012	9.70
TB 84-L-100	2012	13.23
TB 96-L-100	2012	15.65
TB 120-L-100	2012	18.74

ORDERING EXAMPLE:

TB 30-L-100 TB Bushing Type, 30 Sheave Diameter, L Belt Section, 1 in. Max. Belt Width

TB PULLEYS
METAL PRODUCTS



TB TIMING PULLEYS

H PROFILES

STANDARD BORES

H PROFILE TB TIMING PULLEYS

1 in. BELT WIDTH		
PART NUMBER	BUSHING	WEIGHT (LBS)
TB 16-H-100	1108	0.88
TB 18-H-100	1210	1.10
TB 19-H-100	1210	1.32
TB 20-H-100	1210	1.54
TB 21-H-100	1210	1.76
TB 22-H-100	1210	1.98

1 in. BELT WIDTH		
PART NUMBER	BUSHING	WEIGHT (LBS)
TB 23-H-100	1610	1.98
TB 24-H-100	1610	2.20
TB 25-H-100	1610	2.20
TB 26-H-100	1610	2.65
TB 27-H-100	1610	2.87
TB 28-H-100	1610	3.31

1 in. BELT WIDTH		
PART NUMBER	BUSHING	WEIGHT (LBS)
TB 30-H-100	1610	3.75
TB 32-H-100	1610	4.41
TB 36-H-100	1610	5.95
TB 40-H-100	1610	7.94
TB 44-H-100	2012	8.38
TB 48-H-100	2012	7.05

1 in. BELT WIDTH		
PART NUMBER	BUSHING	WEIGHT (LBS)
TB 60-H-100	2012	10.58
TB 72-H-100	2012	12.57
TB 84-H-100	2012	14.99
TB 96-H-100	2517	18.08
TB 120-H-100	2517	26.68

1.5 in. BELT WIDTH		
PART NUMBER	BUSHING	WEIGHT (LBS)
TB 18-H-150	1210	1.32
TB 19-H-150	1210	1.54
TB 20-H-150	1210	1.76
TB 21-H-150	1210	2.20
TB 22-H-150	1210	2.65
TB 23-H-150	1610	2.87

1.5 in. BELT WIDTH		
PART NUMBER	BUSHING	WEIGHT (LBS)
TB 24-H-150	1610	2.65
TB 25-H-150	1610	2.65
TB 26-H-150	1610	3.09
TB 27-H-150	1610	3.53
TB 28-H-150	1610	3.97
TB 30-H-150	1610	4.41

1.5 in. BELT WIDTH		
PART NUMBER	BUSHING	WEIGHT (LBS)
TB 32-H-150	1610	5.07
TB 36-H-150	1610	6.83
TB 40-H-150	1610	8.82
TB 44-H-150	2012	9.70
TB 48-H-150	2012	10.58

1.5 in. BELT WIDTH		
PART NUMBER	BUSHING	WEIGHT (LBS)
TB 60-H-150	2012	11.90
TB 72-H-150	2012	14.33
TB 84-H-150	2012	18.52
TB 96-H-150	2517	24.25
TB 120-H-150	2517	32.63

2 in. BELT WIDTH		
PART NUMBER	BUSHING	WEIGHT (LBS)
TB 18-H-200	1210	1.76
TB 19-H-200	1610	1.98
TB 20-H-200	1610	2.20
TB 21-H-200	1610	3.75
TB 22-H-200	1610	3.31
TB 23-H-200	1610	3.97

2 in. BELT WIDTH		
PART NUMBER	BUSHING	WEIGHT (LBS)
TB 24-H-200	1610	3.31
TB 25-H-200	1610	3.31
TB 26-H-200	1610	3.97
TB 27-H-200	1610	4.19
TB 28-H-200	1610	4.19
TB 30-H-200	1610	5.07

2 in. BELT WIDTH		
PART NUMBER	BUSHING	WEIGHT (LBS)
TB 32-H-200	2012	6.61
TB 36-H-200	2012	6.61
TB 40-H-200	2012	7.94
TB 44-H-200	2012	9.92
TB 48-H-200	2517	10.14

2 in. BELT WIDTH		
PART NUMBER	BUSHING	WEIGHT (LBS)
TB 60-H-200	2517	15.43
TB 72-H-200	2517	17.64
TB 84-H-200	2517	19.84
TB 96-H-200	2517	25.35
TB 120-H-200	2517	33.95

2 in. BELT WIDTH		
PART NUMBER	BUSHING	WEIGHT (LBS)
TB 20-H-300	1615	3.31
TB 21-H-300	1615	2.65
TB 22-H-300	1615	3.53
TB 23-H-300	1615	3.97
TB 24-H-300	1615	4.63

2 in. BELT WIDTH		
PART NUMBER	BUSHING	WEIGHT (LBS)
TB 25-H-300	1615	4.41
TB 26-H-300	1615	5.95
TB 27-H-300	2012	6.61
TB 28-H-300	2012	5.29
TB 30-H-300	2012	6.39

2 in. BELT WIDTH		
PART NUMBER	BUSHING	WEIGHT (LBS)
TB 32-H-300	2517	7.28
TB 36-H-300	2517	9.92
TB 40-H-300	2517	13.23
TB 44-H-300	2517	14.55
TB 48-H-300	2517	16.75

2 in. BELT WIDTH		
PART NUMBER	BUSHING	WEIGHT (LBS)
TB 60-H-300	2517	18.52
TB 72-H-300	2517	22.93
TB 84-H-300	2517	27.56
TB 96-H-300	3030	31.31
TB 120-H-300	3030	41.45

ORDERING EXAMPLE:

TB 25-H-150 TB Bushing Type, 25 Sheave Diameter, H Belt Section, 1.5 in. Max. Belt Width

TB PULLEYS
METAL PRODUCTS



3M PROFILE MPB TIMING PULLEYS

PART NUMBER	# OF TEETH	TYPE	MATERIAL	DIMENSIONS						PILOT BORE DIAM.	MAX. BORE DIA. (mm)	WEIGHT (LBS)
				d_i (mm)	d_a (mm)	D_o (mm)	b_1 (mm)	B (mm)	D (mm)			
6mm WIDTH												
10 3M 6*	10	1F	AL	9.55	8.79	13	7.2	14.5	13	-	3	-
12 3M 6*	12	1F	AL	11.46	10.7	15	7.2	14.5	15	-	5	-
14 3M 6*	14	1F	AL	13.37	12.61	16	7.2	14.5	16	-	6	-
15 3M 6*	15	1F	AL	14.32	13.56	17.5	7.2	14.5	17.5	-	6	-
16 3M 6*	16	6F	AL	15.28	14.52	18	9.8	17.5	10	4	7	-
18 3M 6*	18	6F	AL	17.19	16.43	19.5	9.8	17.5	11	6	8	-
20 3M 6*	20	6F	AL	19.1	18.34	23	9.8	17.5	13	6	9	-
21 3M 6*	21	6F	AL	20.05	19.29	25	9.8	17.5	14	6	9	-
22 3M 6*	22	6F	AL	21.01	20.25	25	9.8	17.5	14	6	9	-
24 3M 6*	24	6F	AL	22.92	22.16	25	9.8	17.5	14	6	9	-
26 3M 6*	26	6F	AL	24.83	24.07	28	9.8	17.5	16	6	11	-
28 3M 6*	28	6F	AL	26.74	25.98	32	9.8	17.5	18	6	12	-
30 3M 6*	30	6F	AL	28.65	27.89	32	9.8	17.5	20	6	14	-
32 3M 6*	32	6F	AL	30.56	29.8	36	9.8	17.5	22	6	15	-
36 3M 6*	36	6F	AL	34.38	33.62	38	10.3	18	26	6	16	-
40 3M 6*	40	6F	AL	38.2	37.44	42	10.3	18	28	6	18	-
44 3M 6*	44	6F	AL	42.02	41.26	48	10.3	18	33	6	20	-
48 3M 6*	48	6	AL	45.84	45.08	-	10.3	18.6	33	8	20	-
60 3M 6*	60	6	AL	57.3	56.54	-	10.3	18.6	33	8	20	-
72 3M 6*	72	6	AL	68.75	67.99	-	10.3	18.6	33	8	20	-
9mm WIDTH												
10 3M 9	10	1F	AL	9.55	8.79	13	10.2	17.5	13	-	3	0.01
12 3M 9	12	1F	AL	11.46	10.7	15	10.2	17.5	15	-	5	0.01
14 3M 9	14	1F	AL	13.37	12.61	16	10.2	17.5	16	-	6	0.02
15 3M 9	15	1F	AL	14.32	13.56	17.5	10.2	17.5	17.5	-	6	0.02
16 3M 9	16	1F	AL	15.28	14.52	18	12.8	20.6	10	4	7	0.02
18 3M 9	18	6F	AL	17.19	16.43	19.5	12.8	20.6	11	6	8	0.02
20 3M 9	20	6F	AL	19.1	18.34	23	12.8	20.6	13	6	9	0.02
21 3M 9	21	6F	AL	20.05	19.29	25	12.8	20.6	14	6	9	0.03
22 3M 9	22	6F	AL	21.01	20.25	25	12.8	20.6	14	6	9	0.03
24 3M 9	24	6F	AL	22.92	22.16	25	12.8	20.6	14	6	9	0.04

TYPE: Refer to Diagrams

ORDERING EXAMPLES:

14 3M 6 MPB, 14 Teeth, 3M Belt Section, 6mm Max. Belt Width

3M SIZES CONTINUED >>

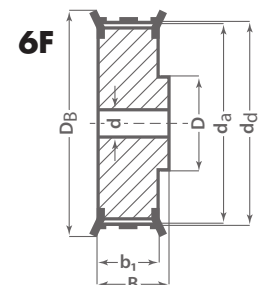
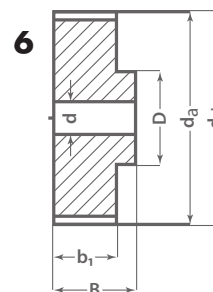
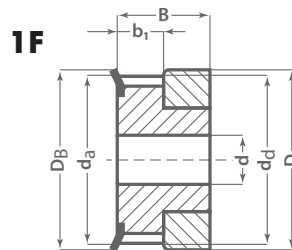
MATERIAL:

AL = Aluminum ST = Steel CI = Cast Iron

10 3M 9 MPB, 10 Teeth, 3M Belt Section, 9mm Max. Belt Width

DIMENSIONS: Refer to Diagrams

* Non-Standard Stock Item





MPB TIMING PULLEYS

3M PROFILES

MINIMUM PLAIN BORES

3M PROFILE MPB TIMING PULLEYS

PART NUMBER	# OF TEETH	TYPE	MATERIAL	DIMENSIONS						PILOT BORE DIAM.	MAX. BORE DIA. (mm)	WEIGHT (LBS)
				d_d (mm)	d_c (mm)	D_a (mm)	b_1 (mm)	B (mm)	D (mm)			
9mm WIDTH												
26 3M 9	26	6F	AL	24.83	24.07	28	12.8	20.6	16	6	11	0.04
28 3M 9	28	6F	AL	26.74	25.98	32	12.8	20.6	18	6	12	0.05
30 3M 9	30	6F	AL	28.65	27.89	32	12.8	20.6	20	6	14	0.06
32 3M 9	32	6F	AL	30.56	29.8	36	12.8	20.6	22	6	15	0.07
36 3M 9	36	6F	AL	34.38	33.62	38	13.4	22.2	26	6	16	0.10
40 3M 9	40	6F	AL	38.2	37.44	42	13.4	22.2	28	6	18	0.12
44 3M 9	44	6F	AL	42.02	41.26	48	13.4	22.2	33	6	20	0.16
48 3M 9	48	6	AL	45.84	45.08	-	13.4	22.2	33	8	20	0.16
60 3M 9	60	6	AL	57.3	56.54	-	13.4	22.2	33	8	20	0.23
72 3M 9	72	6	AL	68.75	67.99	-	13.4	22.2	33	8	20	0.32
15mm WIDTH												
10 3M 15	10	1F	AL	9.55	8.79	13	17	26	13	-	3	0.01
12 3M 15	12	1F	AL	11.46	10.7	15	17	26	15	-	5	0.02
14 3M 15	14	1F	AL	13.37	12.61	16	17	26	16	-	6	0.02
15 3M 15	15	1F	AL	14.32	13.56	17.5	17	26	17.5	-	6	0.03
16 3M 15	16	6F	AL	15.28	14.52	18	19.5	26	10	4	7	0.02
18 3M 15	18	6F	AL	17.19	16.43	19.5	19.5	26	11	6	8	0.03
20 3M 15	20	6F	AL	19.1	18.34	23	19.5	26	13	6	9	0.03
21 3M 15	21	6F	AL	20.05	19.29	25	19.5	26	14	6	9	0.04
22 3M 15	22	6F	AL	21.01	20.25	25	19.5	26	14	6	9	0.04
24 3M 15	24	6F	AL	22.92	22.16	25	19.5	26	14	6	9	0.04
26 3M 15	26	6F	AL	24.83	24.07	28	19.5	26	16	6	11	0.06
28 3M 15	28	6F	AL	26.74	25.98	32	19.5	26	18	6	12	0.07
30 3M 15	30	6F	AL	28.65	27.89	32	19.5	26	20	6	14	0.08
32 3M 15	32	6F	AL	30.56	29.8	36	19.5	26	22	6	15	0.09
36 3M 15	36	6F	AL	34.38	33.62	38	20	30	26	6	16	0.13
40 3M 15	40	6F	AL	38.2	37.44	42	20	30	28	6	18	0.17
44 3M 15	44	6F	AL	42.02	41.26	48	20	30	33	6	20	0.22
48 3M 15	48	6	AL	45.84	45.08	-	20	30	33	8	20	0.23
60 3M 15	60	6	AL	57.3	56.54	-	20	30	33	8	20	0.33
72 3M 15	72	6	AL	68.75	67.99	-	20	30	33	8	20	0.47

TYPE: Refer to Diagrams

ORDERING EXAMPLES:

44 3M 9 MPB, 44 Teeth, 3M Belt Section, 9mm Max. Belt Width

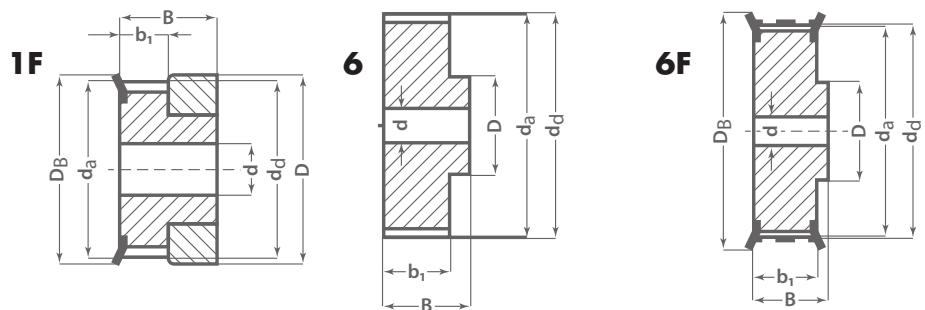
26 3M 15 MPB, 26 Teeth, 3M Belt Section, 15mm Max. Belt Width

MATERIAL:

AL = Aluminum ST = Steel CI = Cast Iron

DIMENSIONS: Refer to Diagrams

* Non-Standard Stock Item





5M PROFILE MPB TIMING PULLEYS

PART NUMBER	# OF TEETH	TYPE	MATERIAL	DIMENSIONS						PILOT BORE DIAM.	MAX. BORE DIA. (mm)	WEIGHT (LBS)
				d _i (mm)	d _e (mm)	D _e (mm)	b ₁ (mm)	B (mm)	D (mm)			
9mm WIDTH												
12 5M 9	12	6F	ST	19.1	17.96	23	14.5	20	13	4	7	0.06
14 5M 9	14	6F	ST	22.28	21.14	25	14.5	20	14	6	8	0.07
15 5M 9	15	6F	ST	23.87	22.73	28	14.5	20	16	6	10	0.09
16 5M 9	16	6F	ST	25.46	24.32	28	14.5	20	16.5	6	10	0.11
18 5M 9	18	6F	ST	28.65	27.51	32	14.5	20	20	6	12	0.15
20 5M 9	20	6F	ST	31.83	30.69	36	14.5	22.5	23	6	14	0.21
21 5M 9	21	6F	ST	33.42	32.28	38	14.5	22.5	24	6	14	0.24
22 5M 9	22	6F	ST	35.01	33.87	38	14.5	22.5	25.5	6	14	0.26
24 5M 9	24	6F	ST	38.2	37.06	42	14.5	22.5	27	6	16	0.32
26 5M 9	26	6F	ST	41.38	40.24	44	14.5	22.5	30	6	18	0.37
28 5M 9	28	6F	ST	44.56	43.42	48	14.5	22.5	30.5	6	18	0.44
30 5M 9	30	6F	ST	47.75	46.61	51	14.5	22.5	35	6	20	0.52
32 5M 9	32	6F	ST	50.93	49.79	54	14.5	22.5	38	8	22	0.60
36 5M 9	36	6F	ST	57.3	56.16	60	14.5	22.5	38	8	22	0.71
40 5M 9	40	6F	ST	63.66	62.52	71	14.5	22.5	38	8	22	0.88
44 5M 9	44	6W	AL	70.03	68.89	-	14.5	25.5	38	8	22	0.37
48 5M 9	48	6W	AL	76.39	75.25	-	14.5	25.5	45	8	25	0.40
60 5M 9	60	6W	AL	95.49	94.35	-	14.5	25.5	45	8	25	0.51
72 5M 9	72	6W	AL	114.59	113.45	-	14.5	25.5	45	8	25	0.60
15mm WIDTH												
12 5M 15	12	6F	ST	19.1	17.96	25	20.5	26	13	4	7	0.07
14 5M 15	14	6F	ST	22.28	21.14	25	20.5	26	14	6	8	0.10
15 5M 15	15	6F	ST	23.87	22.73	28	20.5	26	16	6	10	0.12
16 5M 15	16	6F	ST	25.46	24.32	28	20.5	26	16.5	6	10	0.14
18 5M 15	18	6F	ST	28.65	27.51	32	20.5	26	20	6	12	0.19
20 5M 15	20	6F	ST	31.83	30.69	36	20.5	26	23	6	14	0.25
21 5M 15	21	6F	ST	33.42	32.28	38	20.5	26	24	6	14	0.29
22 5M 15	22	6F	ST	35.01	33.87	38	20.5	26	25.5	6	14	0.31
24 5M 15	24	6F	ST	38.2	37.06	42	20.5	28	27	6	16	0.40
26 5M 15	26	6F	ST	41.38	40.24	44	20.5	28	30	6	18	0.49
28 5M 15	28	6F	ST	44.56	43.42	48	20.5	28	30.5	6	18	0.55
30 5M 15	30	6F	ST	47.75	46.61	51	20.5	28	35	6	20	0.66
32 5M 15	32	6F	ST	50.93	49.79	54	20.5	28	38	8	22	0.77

TYPE: Refer to Diagrams

MATERIAL:

AL = Aluminum ST = Steel CI = Cast Iron

DIMENSIONS: Refer to Diagrams

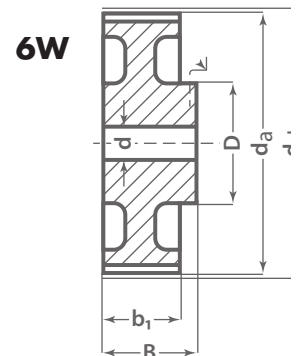
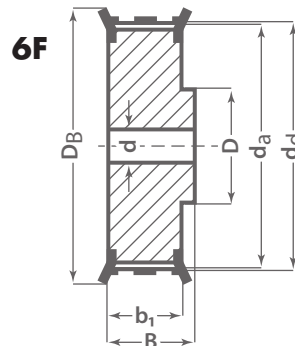
* Non-Standard Stock Item

ORDERING EXAMPLES:

30 5M 9 MPB, 30 Teeth, 5M Belt Section, 9mm Max. Belt Width

28 5M 15 MPB, 28 Teeth, 5M Belt Section, 15mm Max. Belt Width

5M SIZES CONTINUED >>



MPB PULLEYS
METAL PRODUCTS



MPB TIMING PULLEYS

5M PROFILES

MINIMUM PLAIN BORES

5M PROFILE MPB TIMING PULLEYS

PART NUMBER	# OF TEETH	TYPE	MATERIAL	DIMENSIONS						PILOT BORE DIAM.	MAX. BORE DIA. (mm)	WEIGHT (LBS)
				d_a (mm)	d_c (mm)	D_a (mm)	b_1 (mm)	B (mm)	D (mm)			
15mm WIDTH												
36 5M 15	36	6F	ST	57.3	56.16	60	20.5	28	38	8	22	0.94
40 5M 15	40	6F	ST	63.66	62.52	71	20.5	28	38	8	22	1.15
44 5M 15	44	6W	AL	70.03	68.89	-	20.5	30	38	8	22	0.50
48 5M 15	48	6W	AL	76.39	75.25	-	20.5	30	38	8	25	0.41
60 5M 15	60	6W	AL	95.49	94.35	-	20.5	30	50	8	25	0.67
72 5M 15	72	6W	AL	114.59	113.45	-	20.5	30	50	8	25	0.83
25mm WIDTH												
12 5M 25	12	6F	ST	19.1	17.96	25	30	36	13	4	7	0.11
14 5M 25	14	6F	ST	22.28	21.14	25	30	36	14	6	8	0.15
15 5M 25	15	6F	ST	23.87	22.73	28	30	36	16	6	10	0.18
16 5M 25	16	6F	ST	25.46	24.32	28	30	36	16.5	6	10	0.22
18 5M 25	18	6F	ST	28.65	27.51	32	30	36	20	6	12	0.26
20 5M 25	20	6F	ST	31.83	30.69	36	30	36	23	6	14	0.35
21 5M 25	21	6F	ST	33.42	32.28	38	30	38	24	6	14	0.42
22 5M 25	22	6F	ST	35.01	33.87	38	30	38	25.5	6	14	0.46
24 5M 25	24	6F	ST	38.2	37.06	42	30	38	27	6	16	0.55
26 5M 25	26	6F	ST	41.38	40.24	44	30	38	30	6	18	0.66
28 5M 25	28	6F	ST	44.56	43.42	48	30	38	30.5	6	18	0.77
30 5M 25	30	6F	ST	47.75	46.61	51	30	38	35	6	20	0.93
32 5M 25	32	6F	ST	50.93	49.79	54	30	38	38	8	22	1.06
36 5M 25	36	6F	ST	57.3	56.16	60	30	38	38	8	22	1.30
40 5M 25	40	6F	ST	63.66	62.52	71	30	38	38	8	22	1.63
44 5M 25	44	6W	AL	70.03	68.89	-	30	40	38	8	22	0.71
48 5M 25	48	6W	AL	76.39	75.25	-	30	40	38	8	25	0.61
60 5M 25	60	6W	AL	95.49	94.35	-	30	40	50	8	25	0.96
72 5M 25	72	6W	AL	114.59	113.45	-	30	40	50	8	25	1.16

TYPE: Refer to Diagrams

MATERIAL:

AL = Aluminum ST = Steel CI = Cast Iron

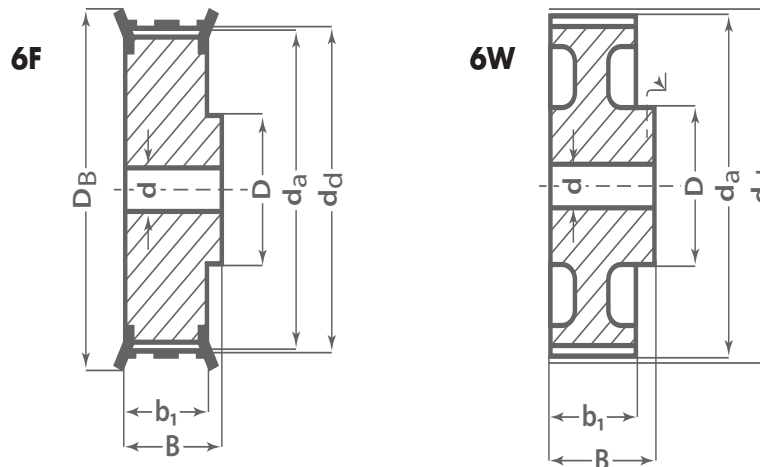
DIMENSIONS: Refer to Diagrams

* Non-Standard Stock Item

ORDERING EXAMPLES:

44 5M 15 MPB, 44 Teeth, 5M Belt Section, 15mm Max. Belt Width

14 5M 25 MPB, 14 Teeth, 5M Belt Section, 25mm Max. Belt Width





8M PROFILE MPB TIMING PULLEYS

PART NUMBER	# OF TEETH	TYPE	MATERIAL	DIMENSIONS							PILOT BORE DIAM.	MAX. BORE DIA. (mm)	WEIGHT (LBS)
				d_d (mm)	d_a (mm)	D_b (mm)	b_1 (mm)	B (mm)	D (mm)	d_i (mm)			
20mm WIDTH													
22 8M 20	22	6F	ST	56.02	54.65	60	28	38	43	-	12	30	1.19
24 8M 20	24	6F	ST	61.12	59.75	66	28	38	45	-	12	30	1.43
26 8M 20	26	6F	ST	66.21	64.84	71	28	38	50	-	12	35	1.76
28 8M 20	28	6F	ST	71.3	70.08	75	28	38	50	-	15	35	1.92
30 8M 20	30	6F	ST	76.39	75.13	83	28	38	55	-	15	35	22.49
32 8M 20	32	6F	ST	81.49	80.16	87	28	38	60	-	15	40	2.65
34 8M 20	34	6F	ST	86.58	85.22	91	28	38	70	-	15	45	3.09
36 8M 20	36	6F	ST	91.67	90.3	98.5	28	38	70	-	15	45	3.42
38 8M 20	38	6F	ST	96.77	95.39	103	28	38	75	-	15	45	3.64
40 8M 20	40	6F	CI	101.86	100.49	106	28	38	75	-	15	45	3.97
44 8M 20	44	6F	CI	112.05	110.67	119	28	38	75	-	15	45	4.63
48 8M 20	48	6F	CI	122.23	120.86	127	28	38	75	-	15	45	5.38
56 8M 20	56	6WF	CI	142.6	141.23	148	28	38	80	117	15	45	5.73
64 8M 20	64	6WF	CI	162.97	161.6	168	28	38	80	137	15	45	6.39
72 8M 20	72	6WF	CI	183.35	181.97	192	28	38	80	158	15	45	6.83
80 8M 20	80	6A	CI	203.72	202.35	-	28	38	90	180	15	50	8.38
90 8M 20	90	6A	CI	229.18	227.81	-	28	38	90	204	15	50	9.26
112 8M 20	112	6A	CI	285.21	283.83	-	28	38	90	260	18	50	11.46
144 8M 20	144	6A	CI	366.69	365.32	-	28	38	90	341	20	50	16.53
168 8M 20	168	6A	CI	427.81	426.44	-	28	38	100	402	20	55	22.05
192 8M 20	192	6A	CI	488.92	487.55	-	28	38	100	463	20	55	31.75
30mm WIDTH													
22 8M 30	22	6F	ST	56.02	54.65	60	38	48	43	-	12	30	1.52
24 8M 30	24	6F	ST	61.12	59.75	66	38	48	45	-	12	30	1.85
26 8M 30	26	6F	ST	66.21	64.84	71	38	48	50	-	12	35	2.20
28 8M 30	28	6F	ST	71.3	70.08	75	38	48	50	-	15	35	2.47
30 8M 30	30	6F	ST	76.39	75.13	83	38	48	55	-	15	35	2.91
32 8M 30	32	6F	ST	81.49	80.16	87	38	48	60	-	15	40	3.31
34 8M 30	34	6F	ST	86.58	85.22	91	38	48	70	-	15	45	3.97
36 8M 30	36	6F	ST	91.67	90.3	98.5	38	48	70	-	15	45	4.39
38 8M 30	38	6F	ST	96.77	95.39	103	38	48	75	-	15	45	5.00
40 8M 30	40	6F	CI	101.86	100.49	106	38	48	75	-	15	45	5.29
44 8M 30	44	6F	CI	112.05	110.67	119	38	48	75	-	15	45	6.17
48 8M 30	48	6F	CI	122.23	120.86	127	38	48	75	-	15	45	7.05

TYPE: Refer to Diagrams

MATERIAL:

AL = Aluminum ST = Steel CI = Cast Iron

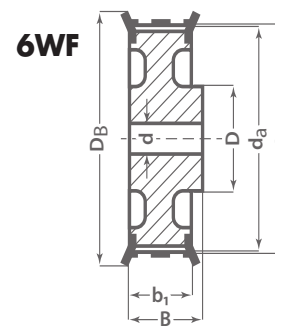
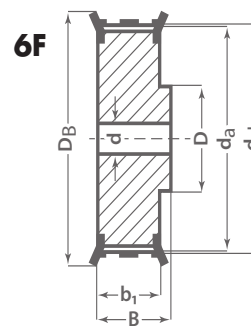
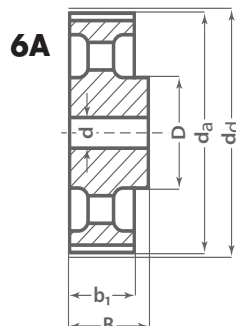
DIMENSIONS: Refer to Diagrams

* Non-Standard Stock Item

ORDERING EXAMPLES:

48 8M 20 MPB, 48 Teeth, 8M Belt Section, 20mm Max. Belt Width

30 8M 30 MPB, 30 Teeth, 8M Belt Section, 30mm Max. Belt Width





MPB TIMING PULLEYS

8M PROFILES

MINIMUM PLAIN BORES

8M PROFILE MPB TIMING PULLEYS

PART NUMBER	# OF TEETH	TYPE	MATERIAL	DIMENSIONS							PILOT BORE DIAM.	MAX. BORE DIA. (mm)	WEIGHT (LBS)
				d_a (mm)	d_e (mm)	D_a (mm)	b_1 (mm)	B (mm)	D (mm)	d_i (mm)			
30mm WIDTH													
56 8M 30	56	6WF	CI	142.6	141.23	148	38	48	90	117	15	50	7.94
64 8M 30	64	6WF	CI	162.97	161.6	168	38	48	90	137	15	50	9.48
72 8M 30	72	6WF	CI	183.35	181.97	192	38	48	95	158	15	50	10.58
80 8M 30	80	6A	CI	203.72	202.35	-	38	48	100	180	15	55	11.24
90 8M 30	90	6A	CI	229.18	227.81	-	38	48	100	204	15	55	12.57
112 8M 30	112	6A	CI	285.21	283.83	-	38	48	100	260	18	55	14.99
144 8M 30	144	6A	CI	366.69	365.32	-	38	48	100	341	20	55	20.50
168 8M 30	168	6A	CI	427.81	426.44	-	38	48	100	402	20	55	25.13
192 8M 30	192	6A	CI	488.92	487.55	-	38	48	100	463	20	55	35.27
50mm WIDTH													
22 8M 50	22	6F	ST	56.02	54.65	60	60	70	43	-	12	30	2.2
24 8M 50	24	6F	ST	61.12	59.75	66	60	70	45	-	12	30	2.65
26 8M 50	26	6F	ST	66.21	64.84	71	60	70	50	-	12	35	3.31
28 8M 50	28	6F	ST	71.3	70.08	75	60	70	50	-	15	35	3.68
30 8M 50	30	6F	ST	76.39	75.13	83	60	70	55	-	15	35	4.34
32 8M 50	32	6F	ST	81.49	80.16	87	60	70	60	-	15	40	5
34 8M 50	34	6F	ST	86.58	85.22	91	60	70	70	-	15	45	5.93
36 8M 50	36	6F	ST	91.67	90.3	98.5	60	70	70	-	15	45	6.55
38 8M 50	38	6F	ST	96.77	95.39	103	60	70	75	-	15	45	7.12
40 8M 50	40	6F	CI	101.86	100.49	106	60	70	75	-	18	45	7.72
44 8M 50	44	6F	CI	112.05	110.67	119	60	70	75	-	18	45	8.60
48 8M 50	48	6F	CI	122.23	120.86	127	60	70	80	-	18	45	9.48
56 8M 50	56	10WF	CI	142.6	141.23	148	60	60	90	117	18	50	11.02
64 8M 50	64	10WF	CI	162.97	161.6	168	60	60	100	137	18	55	12.35
72 8M 50	72	10WF	CI	183.35	181.97	192	60	60	100	158	18	55	14.99
80 8M 50	80	10A	CI	203.72	202.35	-	60	60	110	180	18	60	15.21
90 8M 50	90	10A	CI	229.18	227.81	-	60	60	110	204	18	60	18.96
112 8M 50	112	10A	CI	285.21	283.83	-	60	60	110	260	18	60	21.16
144 8M 50	144	10A	CI	366.69	365.32	-	60	60	110	341	20	60	30.42
168 8M 50	168	10A	CI	427.81	426.44	-	60	60	120	402	20	65	35.27
192 8M 50	192	10A	CI	488.92	487.55	-	60	60	130	463	20	70	49.38

TYPE: Refer to Diagrams

ORDERING EXAMPLES:

72 8M 30 MPB, 72 Teeth, 8M Belt Section, 30mm Max. Belt Width

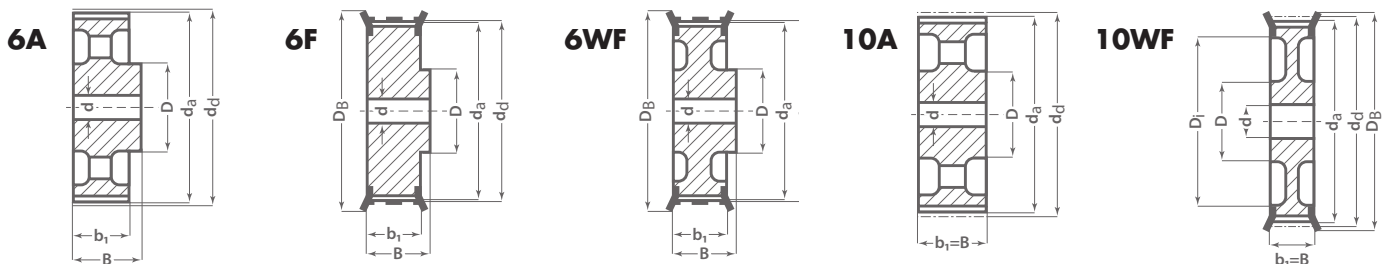
80 8M 50 MPB, 80 Teeth, 8M Belt Section, 50mm Max. Belt Width

MATERIAL:

AL = Aluminum ST = Steel CI = Cast Iron

DIMENSIONS: Refer to Diagrams

* Non-Standard Stock Item





8M PROFILE MPB TIMING PULLEYS

PART NUMBER	# OF TEETH	TYPE	MATERIAL	DIMENSIONS							PILOT BORE DIAM.	MAX. BORE DIA. (mm)	WEIGHT (LBS)
				d_a (mm)	d_e (mm)	D_b (mm)	b_1 (mm)	B (mm)	D (mm)	d_i (mm)			
85mm WIDTH													
24 8M 85	24	6F	ST	61.12	59.75	66	95	105	45	-	12	30	4.19
26 8M 85	26	6F	ST	66.21	64.84	71	95	105	50	-	12	35	4.96
28 8M 85	28	6F	ST	71.3	70.08	75	95	105	50	-	15	35	5.62
30 8M 85	30	6F	ST	76.39	75.13	83	95	105	55	-	15	35	6.61
32 8M 85	32	6F	ST	81.49	80.16	87	95	105	60	-	15	40	7.87
34 8M 85	34	6F	ST	86.58	85.22	91	95	105	70	-	15	45	8.82
36 8M 85	36	6F	ST	91.67	90.3	98.5	95	105	70	-	15	45	9.92
38 8M 85	38	6F	ST	96.77	95.39	103	95	105	75	-	15	45	10.80
40 8M 85	40	6F	CI	101.86	100.49	106	95	105	75	-	18	45	11.46
44 8M 85	44	6F	CI	112.05	110.67	119	95	105	75	-	18	45	14.55
48 8M 85	48	6F	CI	122.23	120.86	127	95	105	80	-	18	45	16.76
56 8M 85	56	6F	CI	142.6	141.23	148	95	105	80	117	20	50	21.61
64 8M 85	64	10WF	CI	162.97	161.6	168	95	95	100	137	20	55	22.93
72 8M 85	72	10WF	CI	183.35	181.97	192	95	95	110	158	20	60	25.13
80 8M 85	80	10A	CI	203.72	202.35	-	95	95	110	180	20	60	24.47
90 8M 85	90	10A	CI	229.18	227.81	-	95	95	110	204	20	60	29.10
112 8M 85	112	10A	CI	285.21	283.83	-	95	95	110	260	24	60	35.94
144 8M 85*	144	10A	CI	366.69	365.32	-	95	95	120	341	24	65	47.40
168 8M 85*	168	10A	CI	427.81	426.44	-	95	95	120	402	24	65	57.54
192 8M 85*	192	10A	CI	488.92	487.55	-	95	95	130	463	24	70	67.46

TYPE: Refer to Diagrams

ORDERING EXAMPLES:

MATERIAL:

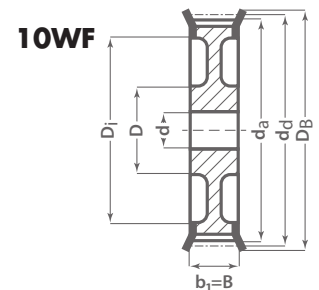
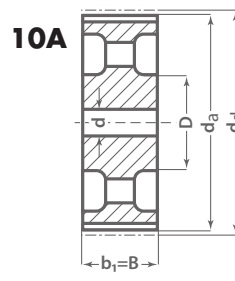
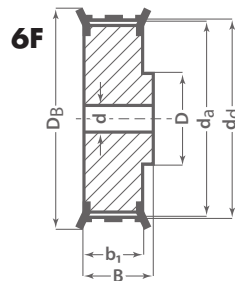
AL = Aluminum ST = Steel CI = Cast Iron

24 8M 85 MPB, 24 Teeth, 8M Belt Section, 85mm Max. Belt Width

112 8M 85 MPB, 112 Teeth, 8M Belt Section, 85mm Max. Belt Width

DIMENSIONS: Refer to Diagrams

* Non-Standard Stock Item



MPB PULLEYS
METAL PRODUCTS



MPB TIMING PULLEYS

14M PROFILES

MINIMUM PLAIN BORES

14M PROFILE MPB TIMING PULLEYS

PART NUMBER	# OF TEETH	TYPE	MATERIAL	DIMENSIONS							PILOT BORE DIAM.	MAX. BORE DIA. (mm)	WEIGHT (LBS)
				d_1 (mm)	d_2 (mm)	D_3 (mm)	b_1 (mm)	B (mm)	D (mm)	d_1 (mm)			
40mm WIDTH													
28 14M 40	28	6F	CI	124.78	122.12	127	54	69	100	-	24	60	10.43
29 14M 40	29	6F	CI	129.23	126.57	138	54	69	100	-	24	60	11.22
30 14M 40	30	6F	CI	133.69	130.99	138	54	69	100	-	24	60	12.02
32 14M 40	32	6F	CI	142.6	139.88	154	54	69	100	-	24	70	13.60
34 14M 40	34	6F	CI	151.52	148.79	160	54	69	100	-	24	70	15.17
36 14M 40	36	6F	CI	160.43	157.68	168	54	69	100	-	24	70	16.76
38 14M 40	38	6F	CI	169.34	166.6	183	54	69	120	-	24	70	18.25
40 14M 40	40	6F	CI	178.25	175.49	188	54	69	120	-	24	70	20.41
44 14M 40	44	6F	CI	196.08	193.28	211	54	69	120	-	24	70	22.75
48 14M 40	48	6WF	CI	213.9	211.11	226	54	69	135	172	24	70	25.35
56 14M 40	56	6WF	CI	249.55	246.76	256	54	69	135	207	28	70	28.77
64 14M 40	64	6WF	CI	285.21	282.41	296	54	69	135	242	28	70	31.75
72 14M 40	72	6A	CI	320.86	318.06	-	54	69	135	278	28	70	37.26
80 14M 40	80	6A	CI	356.51	353.71	-	54	69	135	314	28	70	40.79
90 14M 40	90	6A	CI	401.07	398.28	-	54	69	135	358	28	70	44.09
112 14M 40*	112	6A	CI	499.11	496.32	-	54	69	135	456	28	70	58.86
144 14M 40*	144	6A	CI	641.71	638.92	-	54	69	135	600	28	70	77.16
168 14M 40*	168	6A	CI	748.66	745.87	-	54	69	135	706	28	70	97.44
192 14M 40*	192	6A	CI	855.62	852.82	-	54	69	135	813	28	70	115.08
216 14M 40*	216	6A	CI	962.57	959.77	-	54	69	150	920	28	80	132.28
55mm WIDTH													
28 14M 55	28	6F	CI	124.78	122.12	127	70	85	100	-	24	60	12.35
29 14M 55	29	6F	CI	129.23	126.57	138	70	85	100	-	24	60	13.45
30 14M 55	30	6F	CI	133.69	130.99	138	70	85	100	-	24	60	14.55
32 14M 55	32	6F	CI	142.6	139.88	154	70	85	100	-	24	70	16.76
34 14M 55	34	6F	CI	151.52	148.79	160	70	85	100	-	24	70	18.96
36 14M 55	36	6F	CI	160.43	157.68	168	70	85	100	-	24	70	21.16
38 14M 55	38	6F	CI	169.34	166.6	183	70	85	120	-	24	70	23.81
40 14M 55	40	6F	CI	178.25	175.49	188	70	85	120	-	24	70	24.69
44 14M 55	44	6F	CI	196.08	193.28	211	70	85	120	-	24	70	27.56
48 14M 55	48	10WF	CI	213.9	211.11	226	70	70	135	172	24	70	30.20
56 14M 55	56	10WF	CI	249.55	246.76	256	70	70	135	207	28	70	31.97

TYPE: Refer to Diagrams

MATERIAL:

AL = Aluminum ST = Steel CI = Cast Iron

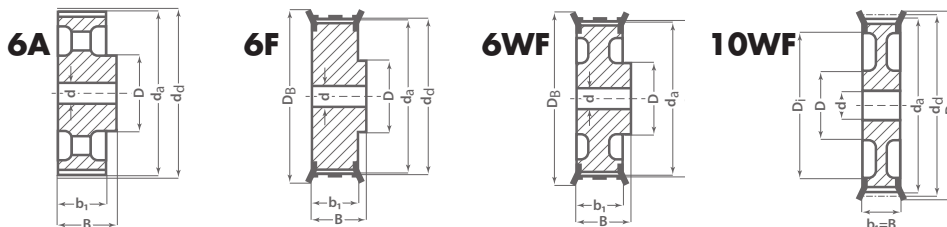
DIMENSIONS: Refer to Diagrams

* Non-Standard Stock Item

ORDERING EXAMPLES:

40 14M 40 MPB, 40 Teeth, 14M Belt Section, 40mm Max. Belt Width

34 14M 55 MPB, 34 Teeth, 14M Belt Section, 55mm Max. Belt Width





MINIMUM PLAIN BORES

14M PROFILE MPB TIMING PULLEYS

PART NUMBER	# OF TEETH	TYPE	MATERIAL	DIMENSIONS							PILOT BORE DIAM.	MAX. BORE DIA. (mm)	WEIGHT (LBS)
				d_i (mm)	d_s (mm)	D_s (mm)	b_1 (mm)	B (mm)	D (mm)	d_i (mm)			
55 mm WIDTH													
64 14M 55	64	10WF	CI	285.21	282.41	296	70	70	135	242	28	70	34.39
72 14M 55	72	10A	CI	320.86	318.06	-	70	70	135	278	28	70	40.79
80 14M 55	80	10A	CI	356.51	353.71	-	70	70	135	314	28	70	44.09
90 14M 55	90	10A	CI	401.07	398.28	-	70	70	135	358	28	70	49.82
112 14M 55*	112	10A	CI	499.11	496.32	-	70	70	135	456	28	70	65.04
144 14M 55*	144	10A	CI	641.71	638.92	-	70	70	135	600	28	70	85.98
168 14M 55*	168	10A	CI	748.66	745.87	-	70	70	135	706	28	70	106.92
192 14M 55*	192	10A	CI	855.62	852.82	-	70	70	135	813	28	70	127.43
216 14M 55*	216	10A	CI	962.57	959.77	-	70	70	150	920	28	80	147.71
85 mm WIDTH													
28 14M 85	28	6F	CI	124.78	122.12	127	102	117	100	-	24	60	16.98
29 14M 85	29	6F	CI	129.23	126.57	138	102	117	100	-	24	60	18.52
30 14M 85	30	6F	CI	133.69	130.99	138	102	117	100	-	24	60	20.06
32 14M 85	32	6F	CI	142.6	139.88	154	102	117	100	-	24	60	23.15
34 14M 85	34	6F	CI	151.52	148.79	160	102	117	100	-	24	70	26.23
36 14M 85	36	6F	CI	160.43	157.68	168	102	117	100	-	32	70	29.10
38 14M 85	38	6F	CI	169.34	166.6	183	102	117	120	-	32	70	33.40
40 14M 85	40	6F	CI	178.25	175.49	188	102	117	135	-	32	70	37.70
44 14M 85	44	6F	CI	196.08	193.28	211	102	117	135	-	32	70	51.37
48 14M 85	48	6F	CI	213.9	211.11	226	102	117	150	-	32	80	55.12
56 14M 85	56	10WF	CI	249.55	246.76	256	102	102	150	207	32	80	55.12
64 14M 85	64	10WF	CI	285.21	282.41	296	102	102	150	242	32	80	62.17
72 14M 85	72	10A	CI	320.86	318.06	-	102	102	150	278	32	80	63.49
80 14M 85	80	10A	CI	356.51	353.71	-	102	102	150	314	32	80	66.36
90 14M 85	90	10A	CI	401.07	398.28	-	102	102	150	358	32	80	72.75
112 14M 85*	112	10A	CI	499.11	496.32	-	102	102	150	456	32	80	92.15
144 14M 85*	144	10A	CI	641.71	638.92	-	102	102	150	600	32	80	115.52
168 14M 85*	168	10A	CI	748.66	745.87	-	102	102	150	706	32	80	132.94
192 14M 85*	192	10A	CI	855.62	852.82	-	102	102	165	813	32	90	154.76
216 14M 85*	216	10A	CI	962.57	959.77	-	102	102	165	920	32	90	178.57

MPB PULLEYS
METAL PRODUCTS

TYPE: Refer to Diagrams

ORDERING EXAMPLES:

MATERIAL:

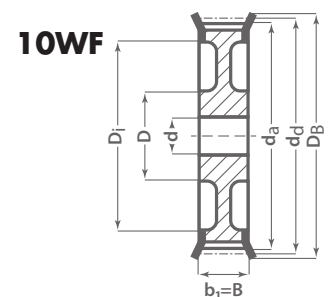
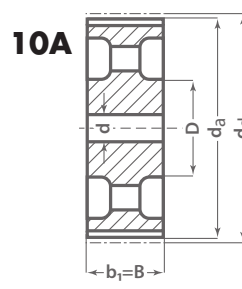
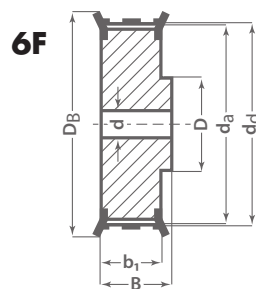
AL = Aluminum ST = Steel CI = Cast Iron

90 14M 55 MPB, 90 Teeth, 14M Belt Section, 55mm Max. Belt Width

44 14M 85 MPB, 44 Teeth, 14M Belt Section, 85mm Max. Belt Width

DIMENSIONS: Refer to Diagrams

* Non-Standard Stock Item





14M PROFILE MPB TIMING PULLEYS

PART NUMBER	# OF TEETH	TYPE	MATERIAL	DIMENSIONS							PILOT BORE DIAM.	MAX. BORE DIA. (mm)	WEIGHT (LBS)
				d _i (mm)	d _e (mm)	D _a (mm)	b ₁ (mm)	B (mm)	D (mm)	d _f (mm)			
115 mm WIDTH													
28 14M 115	28	6F	CI	124.78	122.12	127	133	148	100	-	32	60	20.28
29 14M 115	29	6F	CI	129.23	126.57	138	133	148	100	-	32	60	22.49
30 14M 115	30	6F	CI	133.69	130.99	138	133	148	100	-	32	60	24.69
32 14M 115	32	6F	CI	142.6	139.88	154	133	148	100	-	32	60	29.1
34 14M 115	34	6F	CI	151.52	148.79	160	133	148	100	-	32	70	32.63
36 14M 115	36	6F	CI	160.43	157.68	168	133	148	120	-	32	70	36.6
38 14M 115	38	6F	CI	169.34	166.6	183	133	148	120	-	32	70	42.33
40 14M 115	40	6F	CI	178.25	175.49	188	133	148	135	-	32	70	48.72
44 14M 115	44	6F	CI	196.08	193.28	211	133	148	140	-	32	80	61.73
48 14M 115	48	6F	CI	213.9	211.11	226	133	148	150	-	32	80	77.16
56 14M 115	56	6F	CI	249.55	246.76	256	133	148	150	-	32	80	97.44
64 14M 115	64	10WF	CI	285.21	282.41	296	133	133	150	242	32	80	81.13
72 14M 115	72	10A	CI	320.86	318.06	-	133	133	150	278	32	80	79.59
80 14M 115	80	10A	CI	356.51	353.71	-	133	133	150	314	32	80	85.1
90 14M 115	90	10A	CI	401.07	398.28	-	133	133	150	358	32	80	90.39
112 14M 115*	112	10A	CI	499.11	496.32	-	133	133	150	456	32	80	119.93
144 14M 115*	144	10A	CI	641.71	638.92	-	133	133	165	600	32	90	149.47
168 14M 115*	168	10A	CI	748.66	745.87	-	133	133	165	706	32	90	167.11
192 14M 115*	192	10A	CI	855.62	852.82	-	133	133	165	813	32	90	194.67
216 14M 115*	216	10A	CI	962.57	959.77	-	133	133	165	920	32	90	216.05
170 mm WIDTH													
28 14M 170*	28	6F	CI	124.78	122.12	127	187	202	100	-	32	60	30.42
29 14M 170*	29	6F	CI	129.23	126.57	138	187	202	100	-	32	60	31.31
30 14M 170*	30	6F	CI	133.69	130.99	138	187	202	100	-	32	60	34.39
32 14M 170*	32	6F	CI	142.6	139.88	154	187	202	100	-	32	60	39.9
34 14M 170*	34	6F	CI	151.52	148.79	160	187	202	100	-	32	60	44.97
36 14M 170*	36	6F	CI	160.43	157.68	168	187	202	120	-	32	70	51.81
38 14M 170*	38	6F	CI	169.34	166.6	183	187	202	135	-	32	70	58.42
40 14M 170*	40	6F	CI	178.25	175.49	188	187	202	140	-	32	85	66.36
44 14M 170*	44	6F	CI	196.08	193.28	211	187	202	160	-	32	85	83.33
48 14M 170*	48	6F	CI	213.9	211.11	226	187	202	160	-	32	85	98.11
56 14M 170*	56	6F	CI	249.55	246.76	256	187	202	160	-	32	85	134.48

TYPE: Refer to Diagrams

ORDERING EXAMPLES:

MATERIAL:

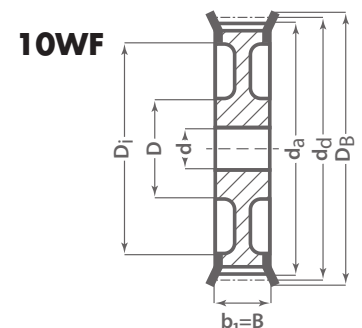
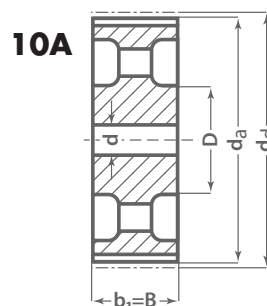
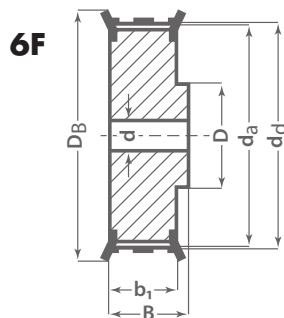
AL = Aluminum ST = Steel CI = Cast Iron

48 14M 115 MPB, 48 Teeth, 14M Belt Section, 115mm Max. Belt Width

29 14M 170 MPB, 29 Teeth, 14M Belt Section, 170mm Max. Belt Width

DIMENSIONS: Refer to Diagrams

* Non-Standard Stock Item





14M PROFILE MPB TIMING PULLEYS

PART NUMBER	# OF TEETH	TYPE	MATERIAL	DIMENSIONS							PILOT BORE DIAM.	MAX. BORE DIA. (mm)	WEIGHT (LBS)
				d _i (mm)	d _e (mm)	D _i (mm)	b ₁ (mm)	B (mm)	D (mm)	d ₁ (mm)			
170 mm WIDTH													
64 14M 170*	64	6F	CI	285.21	282.41	296	187	202	180	-	32	100	178.57
72 14M 170*	72	10W	CI	320.86	318.06	-	187	187	180	278	32	100	135.36
80 14M 170*	80	10W	CI	356.51	353.71	-	187	187	180	314	32	100	143.3
90 14M 170*	90	10A	CI	401.07	398.28	-	187	187	180	358	38	100	149.91
112 14M 170*	112	10A	CI	499.11	496.32	-	187	187	200	456	38	110	192.9
144 14M 170*	144	10A	CI	641.71	638.92	-	187	187	220	600	38	120	253.09
168 14M 170*	168	10A	CI	748.66	745.87	-	187	187	220	706	38	120	275.58
192 14M 170*	192	10A	CI	855.62	852.82	-	187	187	220	813	38	120	300.71
216 14M 170*	216	10A	CI	962.57	959.77	-	187	187	220	920	38	120	324.08

TYPE: Refer to Diagrams

ORDERING EXAMPLE:

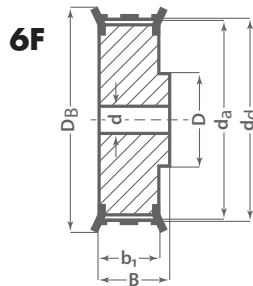
MATERIAL:

AL = Aluminum ST = Steel CI = Cast Iron

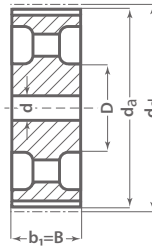
112 14M 170 MPB, 112 Teeth, 14M Belt Section, 170mm Max. Belt Width

DIMENSIONS: Refer to Diagrams

* Non-Standard Stock Item

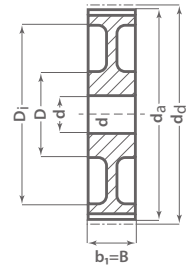


6F



10A

10W



MPB PULLEYS
METAL PRODUCTS



MPB TIMING PULLEYS

T2.5 & T5 PROFILES

MINIMUM PLAIN BORES

T2.5 PROFILE MPB TIMING PULLEYS

4 or 6mm BELT WIDTH			4 or 6mm BELT WIDTH			4 or 6mm BELT WIDTH			4 or 6mm BELT WIDTH		
PART NUMBER	BUSHING	WEIGHT (LBS)	PART NUMBER	BUSHING	WEIGHT (LBS)	PART NUMBER	BUSHING	WEIGHT (LBS)	PART NUMBER	BUSHING	WEIGHT (LBS)
16 T2.5/12-2	MPB	0.01	16 T2.5/19-2	MPB	0.02	16 T2.5/26-2	MPB	0.07	16 T2.5/40-2	MPB	0.26
16 T2.5/14-2	MPB	0.01	16 T2.5/20-2	MPB	0.02	16 T2.5/28-2	MPB	0.09	16 T2.5/44-2	MPB	0.31
16 T2.5/15-2	MPB	0.01	16 T2.5/22-2	MPB	0.02	16 T2.5/30-2	MPB	0.11	16 T2.5/48-0	MPB	0.39
16 T2.5/16-2	MPB	0.01	16 T2.5/24-2	MPB	0.03	16 T2.5/32-2	MPB	0.16	16 T2.5/60-0	MPB	0.45
16 T2.5/18-2	MPB	0.01	16 T2.5/25-2	MPB	0.03	16 T2.5/36-2	MPB	0.20			

T5 PROFILE MPB TIMING PULLEYS

10mm BELT WIDTH			10mm BELT WIDTH			10mm BELT WIDTH			10mm BELT WIDTH		
PART NUMBER	BUSHING	WEIGHT (LBS)	PART NUMBER	BUSHING	WEIGHT (LBS)	PART NUMBER	BUSHING	WEIGHT (LBS)	PART NUMBER	BUSHING	WEIGHT (LBS)
21 T5/10-2	MPB	0.03	21 T5/19-2	MPB	0.08	21 T5/27-2	MPB	0.14	21 T5/40-2	MPB	0.30
21 T5/12-2	MPB	0.04	21 T5/20-2	MPB	0.08	21 T5/28-2	MPB	0.16	21 T5/42-2	MPB	0.40
21 T5/14-2	MPB	0.04	21 T5/22-2	MPB	0.10	21 T5/30-2	MPB	0.17	21 T5/44-0	MPB	0.41
21 T5/15-2	MPB	0.05	21 T5/24-2	MPB	0.12	21 T5/32-2	MPB	0.19	21 T5/48-0	MPB	0.44
21 T5/16-2	MPB	0.06	21 T5/25-2	MPB	0.13	21 T5/36-2	MPB	0.25	21 T5/60-0	MPB	0.68
21 T5/18-2	MPB	0.07	21 T5/26-2	MPB	0.14						

16mm BELT WIDTH			16mm BELT WIDTH			16mm BELT WIDTH			16mm BELT WIDTH		
PART NUMBER	BUSHING	WEIGHT (LBS)	PART NUMBER	BUSHING	WEIGHT (LBS)	PART NUMBER	BUSHING	WEIGHT (LBS)	PART NUMBER	BUSHING	WEIGHT (LBS)
27 T5/10-2	MPB	0.04	27 T5/19-2	MPB	0.11	27 T5/27-2	MPB	0.20	27 T5/40-2	MPB	0.43
27 T5/12-2	MPB	0.05	27 T5/20-2	MPB	0.12	27 T5/28-2	MPB	0.20	27 T5/42-2	MPB	0.45
27 T5/14-2	MPB	0.06	27 T5/22-2	MPB	0.12	27 T5/30-2	MPB	0.23	27 T5/44-0	MPB	0.50
27 T5/15-2	MPB	0.06	27 T5/24-2	MPB	0.17	27 T5/32-2	MPB	0.27	27 T5/48-0	MPB	0.62
27 T5/16-2	MPB	0.08	27 T5/25-2	MPB	0.18	27 T5/36-2	MPB	0.35	27 T5/60-0	MPB	0.95
27 T5/18-2	MPB	0.09	27 T5/26-2	MPB	0.19						

25mm BELT WIDTH			25mm BELT WIDTH			25mm BELT WIDTH			25mm BELT WIDTH		
PART NUMBER	BUSHING	WEIGHT (LBS)	PART NUMBER	BUSHING	WEIGHT (LBS)	PART NUMBER	BUSHING	WEIGHT (LBS)	PART NUMBER	BUSHING	WEIGHT (LBS)
36 T5/10-2	MPB	0.05	36 T5/19-2	MPB	0.15	36 T5/27-2	MPB	0.28	36 T5/40-2	MPB	0.61
36 T5/12-2	MPB	0.07	36 T5/20-2	MPB	0.17	36 T5/28-2	MPB	0.30	36 T5/42-2	MPB	0.63
36 T5/14-2	MPB	0.08	36 T5/22-2	MPB	0.18	36 T5/30-2	MPB	0.33	36 T5/44-0	MPB	0.69
36 T5/15-2	MPB	0.09	36 T5/24-2	MPB	0.24	36 T5/32-2	MPB	0.39	36 T5/48-0	MPB	0.88
36 T5/16-2	MPB	0.11	36 T5/25-2	MPB	0.26	36 T5/36-2	MPB	0.51	36 T5/60-0	MPB	1.35
36 T5/18-2	MPB	0.13	36 T5/26-2	MPB	0.26						

-0 = No Flanges -2 = Flanged Pulley

ORDERING EXAMPLES:

16 T2.5/60-0 MPB, 16mm Pulley Width, T2.5 Belt Section, 60 Teeth, 0 No Flanged Pulley

27 T5/10-2 MPB, 27mm Pulley Width, T5 Belt Section, 10 Teeth, 2 Flanged Pulley

MPB PULLEYS
METAL PRODUCTS



T10 PROFILE MPB TIMING PULLEYS

16mm BELT WIDTH			16mm BELT WIDTH			16mm BELT WIDTH			16mm BELT WIDTH		
PART NUMBER	BUSHING	WEIGHT (LBS)	PART NUMBER	BUSHING	WEIGHT (LBS)	PART NUMBER	BUSHING	WEIGHT (LBS)	PART NUMBER	BUSHING	WEIGHT (LBS)
31 T10/12-2	MPB	0.17	31 T10/19-2	MPB	0.41	31 T10/26-2	MPB	0.79	31 T10/36-2	MPB	1.37
31 T10/14-2	MPB	0.23	31 T10/20-2	MPB	0.46	31 T10/27-2	MPB	0.80	31 T10/40-2	MPB	1.69
31 T10/15-2	MPB	0.26	31 T10/22-2	MPB	0.56	31 T10/28-2	MPB	0.88	31 T10/44-0	MPB	2.19
31 T10/16-2	MPB	0.30	31 T10/24-2	MPB	0.63	31 T10/30-2	MPB	0.97	31 T10/48-0	MPB	2.40
31 T10/18-2	MPB	0.39	31 T10/25-2	MPB	0.68	31 T10/32-2	MPB	1.09	31 T10/60-0	MPB	3.75

25mm BELT WIDTH			25mm BELT WIDTH			25mm BELT WIDTH			25mm BELT WIDTH		
PART NUMBER	BUSHING	WEIGHT (LBS)	PART NUMBER	BUSHING	WEIGHT (LBS)	PART NUMBER	BUSHING	WEIGHT (LBS)	PART NUMBER	BUSHING	WEIGHT (LBS)
40 T10/12-2	MPB	0.22	40 T10/19-2	MPB	0.54	40 T10/26-2	MPB	1.05	40 T10/36-2	MPB	1.92
40 T10/14-2	MPB	0.30	40 T10/20-2	MPB	0.61	40 T10/27-2	MPB	1.18	40 T10/40-2	MPB	2.35
40 T10/15-2	MPB	0.34	40 T10/22-2	MPB	0.74	40 T10/28-2	MPB	1.19	40 T10/44-0	MPB	2.98
40 T10/16-2	MPB	0.39	40 T10/24-2	MPB	0.86	40 T10/30-2	MPB	1.41	40 T10/48-0	MPB	3.34
40 T10/18-2	MPB	0.49	40 T10/25-2	MPB	0.93	40 T10/32-2	MPB	1.53	40 T10/60-0	MPB	5.16

32mm BELT WIDTH			32mm BELT WIDTH			32mm BELT WIDTH			32mm BELT WIDTH		
PART NUMBER	BUSHING	WEIGHT (LBS)	PART NUMBER	BUSHING	WEIGHT (LBS)	PART NUMBER	BUSHING	WEIGHT (LBS)	PART NUMBER	BUSHING	WEIGHT (LBS)
47 T10/18-2	MPB	0.56	47 T10/24-2	MPB	1.05	47 T10/28-2	1.42	1.42	47 T10/40-2	MPB	2.90
47 T10/19-2	MPB	0.63	47 T10/25-2	MPB	1.16	47 T10/30-2	MPB	1.63	47 T10/44-0	MPB	3.55
47 T10/20-2	MPB	0.71	47 T10/26-2	MPB	1.24	47 T10/32-2	MPB	1.86	47 T10/48-0	MPB	4.26
47 T10/22-2	MPB	0.87	47 T10/27-2	MPB	1.33	47 T10/36-2	MPB	2.39	47 T10/60-0	MPB	6.62

-0 = No Flanges -2 = Flanged Pulley

ORDERING EXAMPLES:

- 31 T10/19-2** MPB, 31mm Pulley Width, T10 Belt Section, 19 Teeth, 2 Flanged Pulley
- 47 T10/44-0** MPB, 47mm Pulley Width, T10 Belt Section, 44 Teeth, 0 No Flanged Pulley

MPB PULLEYS
METAL PRODUCTS



MPB TIMING PULLEYS

AT5 PROFILES

MINIMUM PLAIN BORES

AT5 PROFILE MPB TIMING PULLEYS

10mm BELT WIDTH			10mm BELT WIDTH			10mm BELT WIDTH			10mm BELT WIDTH		
PART NUMBER	BUSHING	WEIGHT (LBS)	PART NUMBER	BUSHING	WEIGHT (LBS)	PART NUMBER	BUSHING	WEIGHT (LBS)	PART NUMBER	BUSHING	WEIGHT (LBS)
21 AT5/12-2	MPB	0.04	21 AT5/20-2	MPB	0.08	21 AT5/27-2	MPB	0.14	21 AT5/40-2	MPB	0.30
21 AT5/14-2	MPB	0.04	21 AT5/22-2	MPB	0.10	21 AT5/28-2	MPB	0.16	21 AT5/42-2	MPB	0.40
21 AT5/15-2	MPB	0.05	21 AT5/24-2	MPB	0.12	21 AT5/30-2	MPB	0.17	21 AT5/44-0	MPB	0.41
21 AT5/16-2	MPB	0.06	21 AT5/25-2	MPB	0.13	21 AT5/32-2	MPB	0.19	21 AT5/48-0	MPB	0.44
21 AT5/18-2	MPB	0.07	21 AT5/26-2	MPB	0.14	21 AT5/36-2	MPB	0.25	21 AT5/60-0	MPB	0.68
21 AT5/19-2	MPB	0.08									

16mm BELT WIDTH			16mm BELT WIDTH			16mm BELT WIDTH			16mm BELT WIDTH		
PART NUMBER	BUSHING	WEIGHT (LBS)	PART NUMBER	BUSHING	WEIGHT (LBS)	PART NUMBER	BUSHING	WEIGHT (LBS)	PART NUMBER	BUSHING	WEIGHT (LBS)
27 AT5/12-2	MPB	0.05	27 AT5/20-2	MPB	0.12	27 AT5/27-2	MPB	0.20	27 AT5/40-2	MPB	0.43
27 AT5/14-2	MPB	0.06	27 AT5/22-2	MPB	0.12	27 AT5/28-2	MPB	0.20	27 AT5/42-2	MPB	0.45
27 AT5/15-2	MPB	0.06	27 AT5/24-2	MPB	0.17	27 AT5/30-2	MPB	0.23	27 AT5/44-0	MPB	0.50
27 AT5/16-2	MPB	0.08	27 AT5/25-2	MPB	0.18	27 AT5/32-2	MPB	0.27	27 AT5/48-0	MPB	0.62
27 AT5/18-2	MPB	0.09	27 AT5/26-2	MPB	0.19	27 AT5/36-2	MPB	0.35	27 AT5/60-0	MPB	0.95
27 AT5/19-2	MPB	0.11									

25mm BELT WIDTH			25mm BELT WIDTH			25mm BELT WIDTH			25mm BELT WIDTH		
PART NUMBER	BUSHING	WEIGHT (LBS)	PART NUMBER	BUSHING	WEIGHT (LBS)	PART NUMBER	BUSHING	WEIGHT (LBS)	PART NUMBER	BUSHING	WEIGHT (LBS)
36 AT5/12-2	MPB	0.07	36 AT5/20-2	MPB	0.17	36 AT5/27-2	MPB	0.28	36 AT5/40-2	MPB	0.61
36 AT5/14-2	MPB	0.08	36 AT5/22-2	MPB	0.18	36 AT5/28-2	MPB	0.30	36 AT5/42-2	MPB	0.63
36 AT5/15-2	MPB	0.09	36 AT5/24-2	MPB	0.24	36 AT5/30-2	MPB	0.33	36 AT5/44-0	MPB	0.69
36 AT5/16-2	MPB	0.11	36 AT5/25-2	MPB	0.18	36 AT5/32-2	MPB	0.39	36 AT5/48-0	MPB	0.88
36 AT5/18-2	MPB	0.13	36 AT5/26-2	MPB	0.26	36 AT5/36-2	MPB	0.51	36 AT5/60-0	MPB	1.35
36 AT5/19-2	MPB	0.15									

-0 = No Flanges -2 = Flanged Pulley

ORDERING EXAMPLES:

21 AT5/48-0 MPB, 21mm Pulley Width, AT5 Belt Section, 48 Teeth, 0 No Flanged Pulley

27 AT5/20-2 MPB, 27mm Pulley Width, AT5 Belt Section, 20 Teeth, 2 Flanged Pulley

MPB PULLEYS
METAL PRODUCTS



MINIMUM PLAIN BORES

AT10 PROFILE MPB TIMING PULLEYS

16mm BELT WIDTH			16mm BELT WIDTH			16mm BELT WIDTH			16mm BELT WIDTH		
PART NUMBER	BUSHING	WEIGHT (LBS)	PART NUMBER	BUSHING	WEIGHT (LBS)	PART NUMBER	BUSHING	WEIGHT (LBS)	PART NUMBER	BUSHING	WEIGHT (LBS)
31 AT10/15-2	MPB	0.26	31 AT10/22-2	MPB	0.56	31 AT10/28-2	MPB	0.88	31 AT10/40-2	MPB	1.69
31 AT10/16-2	MPB	0.30	31 AT10/24-2	MPB	0.63	31 AT10/30-2	MPB	0.97	31 AT10/44-0	MPB	2.19
31 AT10/18-2	MPB	0.37	31 AT10/25-2	MPB	0.68	31 AT10/32-2	MPB	1.09	31 AT10/48-0	MPB	2.40
31 AT10/19-2	MPB	0.41	31 AT10/26-2	MPB	0.74	31 AT10/36-2	MPB	1.37	31 AT10/60-0	MPB	3.75
31 AT10/20-2	MPB	0.46	31 AT10/27-2	MPB	0.80						

25mm BELT WIDTH			25mm BELT WIDTH			25mm BELT WIDTH			25mm BELT WIDTH		
PART NUMBER	BUSHING	WEIGHT (LBS)	PART NUMBER	BUSHING	WEIGHT (LBS)	PART NUMBER	BUSHING	WEIGHT (LBS)	PART NUMBER	BUSHING	WEIGHT (LBS)
40 AT10/15-2	MPB	0.34	40 AT10/22-2	MPB	0.74	40 AT10/28-2	MPB	1.19	40 AT10/40-2	MPB	2.35
40 AT10/16-2	MPB	0.39	40 AT10/24-2	MPB	0.86	40 AT10/30-2	MPB	1.41	40 AT10/44-0	MPB	2.98
40 AT10/18-2	MPB	0.49	40 AT10/25-2	MPB	0.93	40 AT10/32-2	MPB	1.53	40 AT10/48-0	MPB	3.34
40 AT10/19-2	MPB	0.54	40 AT10/26-2	MPB	1.05	40 AT10/36-2	MPB	1.92	40 AT10/60-0	MPB	5.16
40 AT10/20-2	MPB	0.61	40 AT10/27-2	MPB	1.18						

32mm BELT WIDTH			32mm BELT WIDTH			32mm BELT WIDTH			32mm BELT WIDTH		
PART NUMBER	BUSHING	WEIGHT (LBS)	PART NUMBER	BUSHING	WEIGHT (LBS)	PART NUMBER	BUSHING	WEIGHT (LBS)	PART NUMBER	BUSHING	WEIGHT (LBS)
47 AT10/18-2	MPB	0.56	47 AT10/24-2	MPB	1.05	47 AT10/28-2	MPB	1.38	47 AT10/40-2	MPB	2.90
47 AT10/19-2	MPB	0.63	47 AT10/25-2	MPB	1.16	47 AT10/30-2	MPB	0.00	47 AT10/44-0	MPB	3.55
47 AT10/20-2	MPB	0.62	47 AT10/26-2	MPB	1.24	47 AT10/32-2	MPB	1.86	47 AT10/48-0	MPB	4.26
47 AT10/22-2	MPB	0.87	47 AT10/27-2	MPB	0.84	47 AT10/36-2	MPB	1.11	47 AT10/60-0	MPB	6.62

50mm BELT WIDTH			50mm BELT WIDTH			50mm BELT WIDTH			50mm BELT WIDTH		
PART NUMBER	BUSHING	WEIGHT (LBS)	PART NUMBER	BUSHING	WEIGHT (LBS)	PART NUMBER	BUSHING	WEIGHT (LBS)	PART NUMBER	BUSHING	WEIGHT (LBS)
66 AT10/18-2	MPB	0.93	66 AT10/24-2	MPB	1.62	66 AT10/28-2	MPB	2.12	66 AT10/40-2	MPB	4.41
66 AT10/19-2	MPB	1.03	66 AT10/25-2	MPB	1.69	66 AT10/30-2	MPB	2.58	66 AT10/44-0	MPB	5.20
66 AT10/20-2	MPB	1.15	66 AT10/26-2	MPB	1.80	66 AT10/32-2	MPB	2.87	66 AT10/48-0	MPB	6.24
66 AT10/22-2	MPB	1.26	66 AT10/27-2	MPB	2.09	66 AT10/36-2	MPB	0.00	66 AT10/60-0	MPB	9.63

-0 = No Flanges -2 = Flanged Pulley

ORDERING EXAMPLES:

31 AT10/15-2 MPB, 31mm Pulley Width, AT10 Belt Section, 15 Teeth, 2 Flanged Pulley

66 AT10/60-0 MPB, 66mm Pulley Width, AT10 Belt Section, 60 Teeth, 0 No Flanged Pulley

MPB PULLEYS
METAL PRODUCTS



U.S. STANDARD PROFILE TB BUSHINGS

BUSHING	STOCK BORE (IN)	KEY (IN)	BUSHING	STOCK BORE (IN)	KEY (IN)	BUSHING	STOCK BORE (IN)	KEY (IN)	
1008	1/2 • 9/16	1/8 x 1/16	2517^B	1/2	1/8 x 1/16	3535^B	1-3/16 • 1-1/4	1/4 x 1/8	
	5/8 • 11/16 • 3/4	3/16 x 3/32		5/8 • 11/16 • 3/4	3/16 x 3/32		1-3/8	5/16 x 5/32	
	13/16 • 7/8	3/16 x 3/32		13/16 • 7/8	3/16 x 3/32		1-7/16 • 1-1/2 • 1-5/8	3/8 x 3/16	
	15/16 • 1	1/4 x 1/16*		15/16 • 1 • 1-1/16	1/4 x 1/8		1-11/16 • 1-3/4	3/8 x 3/16	
1108	1/2 • 9/16	1/8 x 1/16		1-1/8 • 1-3/16 • 1-1/4	1/4 x 1/8		1-7/8 • 1-15/16 • 2	1/2 x 1/4	
	5/8 • 11/16 • 3/4	3/16 x 3/32		1-5/16 • 1-3/8	5/16 x 5/32		2-1/8 • 2-3/16 • 2-1/4	1/2 x 1/4	
	13/16 • 7/8	3/16 x 3/32		1-7/16 • 1-1/2 • 1-9/16	3/8 x 3/16		2-3/8 • 2-7/16 • 2-1/2	5/8 x 5/16	
	15/16 • 1	1/4 x 1/8		1-5/8 • 1-11/16 • 1-3/4	3/8 x 3/16		2-5/8 • 2-11/16 • 2-3/4	5/8 x 5/16	
1210	1/2 • 9/16	1/8 x 1/16		1-13/16 • 1-7/8	1/2 x 1/4		2-7/8 • 2-15/16 • 3	3/4 x 3/8	
	5/8 • 11/16 • 3/4	3/16 x 3/32		1-15/16 • 2 • 2-1/16	1/2 x 1/4		3-1/8 • 3-3/16 • 3-1/4	3/4 x 3/8	
	13/16 • 7/8	3/16 x 3/32		2-1/8 • 2-3/16 • 2-1/4	1/2 x 1/4		3-5/8 • 3-7/8 • 3-7/16	7/8 x 1/4*	
	15/16 • 1 • 1-1/16	1/4 x 1/8		2-5/16 • 2-3/8 • 2-7/16	5/8 x 3/16*		3-1/2 • 3-5/8 • 3-11/16	7/8 x 1/4*	
1215	1/2 • 9/16	1/8 x 1/16	2-1/2 • 2-5/8 • 2-11/16	5/8 x 3/16*	3-3/4	7/8 x 1/4*			
	5/8 • 11/16 • 3/4	3/16 x 3/32	2525	3/4 • 7/8	3/16 x 3/32	4040	3-7/8 • 3-15/16	1 x 1/4*	
	13/16 • 7/8	3/16 x 3/32		1 • 1-1/8 • 1-3/16	1/4 x 1/8		1-7/16 • 1-1/2 • 1-5/8	3/8 x 3/16	
	15/16 • 1 • 1-1/16	1/4 x 1/8		1-1/4	1/4 x 1/8		1-11/16 • 1-3/4	3/8 x 3/16	
1-1/8 • 1-3/16 • 1-1/4	1/4 x 1/8	1-3/8		5/16 x 5/32	1-7/8 • 1-15/16 • 2		1/2 x 1/4		
1310	1/2 • 9/16	1/8 x 1/16		1-7/16 • 1-1/2 • 1-5/8	3/8 x 3/16		2-1/8 • 2-3/16 • 2-1/4	1/2 x 1/4	
	5/8 • 11/16 • 3/4	3/16 x 3/32		1-11/16 • 1-3/4	3/8 x 3/16		2-3/8 • 2-7/16 • 2-1/2	5/8 x 5/16	
	13/16 • 7/8	3/16 x 3/32		1-13/16 • 1-7/8	1/2 x 1/4		2-5/8 • 2-11/16 • 2-3/4	5/8 x 5/16	
	15/16 • 1 • 1-1/16	1/4 x 1/8		1-15/16 • 2 • 2-1/8	1/2 x 1/4		2-7/8 • 2-15/16 • 3 • 3-1/8	3/4 x 3/8	
1610	1/2 • 9/16	1/8 x 1/16		2-3/16 • 2-1/4	1/2 x 1/4		3-3/16 • 3-1/4	3/4 x 3/8	
	5/8 • 11/16 • 3/4	3/16 x 3/32		2-5/16 • 2-3/8 • 2-7/16	5/8 x 3/16*		3-3/8 • 3-7/16 • 3-1/2	7/8 x 7/16	
	13/16 • 7/8	3/16 x 3/32		2-1/2	5/8 x 3/16*		3-5/8	7/8 x 7/16	
	15/16 • 1 • 1-1/16	1/4 x 1/8		7/8	3/16 x 3/32		3-11/16 • 3-3/4	7/8 x 1/4*	
1615	1/2 • 9/16	1/8 x 1/16	15/16 • 1 • 1-1/8	1/4 x 1/8	3-7/8 • 3-15/16 • 4	1 x 1/4*			
	5/8 • 11/16 • 3/4	3/16 x 3/32	1-3/16 • 1-1/4	1/4 x 1/8	4-1/8 • 4-3/16 • 4-1/4	1 x 1/4*			
	13/16 • 7/8	3/16 x 3/32	1-5/16 • 1-3/8	5/16 x 5/32	4-3/8 • 4-7/16	1 x 1/4*			
	15/16 • 1 • 1-1/16	1/4 x 1/8	1-7/16 • 1-1/2 • 1-9/16	3/8 x 3/16	4-3/4 • 4-7/8 • 4-15/16	1-1/4 x 1/4*			
1612	1/2 • 9/16	1/8 x 1/16	1-5/8 • 1-11/16 • 1-3/4	3/8 x 3/16	4545	1-15/16 • 2 • 2-3/16	1/2 x 1/4		
	5/8 • 11/16 • 3/4	3/16 x 3/32	1-13/16 • 1-7/8	1/2 x 1/4				2-3/8 • 2-7/16 • 2-5/8	5/8 x 5/16
	13/16 • 7/8	3/16 x 3/32	1-15/16 • 2 • 2-1/16	1/2 x 1/4				2-3/4	5/8 x 5/16
	15/16 • 1 • 1-1/16	1/4 x 1/8	2-1/8 • 2-3/16 • 2-1/4	1/2 x 1/4				2-7/8 • 2-15/16 • 3	3/4 x 3/8
2012	1/2 • 9/16	1/8 x 1/16	2-5/16 • 2-3/8 • 2-7/16	5/8 x 5/16				3-1/8 • 3-3/16 • 3-1/4	3/4 x 3/8
	5/8 • 11/16 • 3/4	3/16 x 3/32	2-1/2 • 2-5/8 • 2-11/16	5/8 x 5/16				3-3/8 • 3-7/16 • 3-1/2	7/8 x 7/16
	13/16 • 7/8	3/16 x 3/32	2-3/4	5/8 x 5/16				3-5/8 • 3-3/4	7/8 x 7/16
	15/16 • 1 • 1-1/16	1/4 x 1/8	2-13/16 • 2-7/8 • 2-15/16	3/4 x 1/4*				3-7/8 • 3-15/16 • 4	1 x 1/2

TB BUSHINGS
METAL PRODUCTS

* Shallow Keyseat

^B British and U.S. Standard threads differ:
• British = 1/2 x 12" TPI • U.S. = 1/2 x 13" TPI
Please indicate which is needed when ordering.



METRIC PROFILE TB BUSHINGS

BUSHING	STOCK BORE (IN)	KEY (IN)	BUSHING	STOCK BORE (IN)	KEY (IN)	BUSHING	STOCK BORE (IN)	KEY (IN)		
1008	14 • 16	5 x 5	2517	14 • 16	5 x 5	3535	35 • 38	10 x 8		
	18 • 19 • 20 • 22	6 x 6		18 • 19 • 20 • 22	6 x 6		40 • 42	12 x 8		
[24]	8 x 7	24 • 25 • 28 • 30		8 x 7	45 • 48 • 50		14 x 9			
1108	[12]	4 x 4		32 • 35 • 38	10 x 8		55	16 x 10		
	14 • [15] • 16	5 x 5		40 • 42	12 x 8		60 • 65	18 x 11		
	18 • 19 • 20 • 22	6 x 6		45 • 48 • 50	14 x 9		70 • 75	20 x 12		
	24 • 25	8 x 7		55	16 x 10		80 • 85	22 x 14		
1210	14 • [15] • 16	5 x 5		60 • 65	18 x 11		90	25 x 14		
	18 • 19 • 20 • 22	6 x 6		2525	19 • 20 • 22		6 x 6	[4040]	48	14 x 9
	24 • 25 • 28 • 30	8 x 7			24 • 25 • 28 • 30		8 x 7		55	16 x 10
[32]	10 x 8	32 • 35 • 36 • 38	10 x 8		60 • 65	18 x 11				
1215	16	5 x 5	39 • 40 • 42		12 x 8	70 • 75	20 x 12			
	19 • 20	6 x 6	45 • 48 • 50		14 x 9	80 • 85	22 x 14			
	24 • 25 • 28 • 30	8 x 7	55	16 x 10	90 • 95	25 x 14				
1310	24 • 25 • 28 • 30	10 x 8	60	18 x 11	100 • 110	28 x 16				
	1610	14 • 16	5 x 5	3020	24 • 25 • 28 • 30	8 x 7	[4545]	55	16 x 10	
		18 • 19 • 20 • 22	6 x 6		32 • 35 • 38	10 x 8		60 • 65	18 x 11	
		24 • 25 • 28 • 30	8 x 7		40 • 42	12 x 8		70 • 75	20 x 12	
32 • 35 • 38		10 x 8	45 • 48 • 50		14 x 9	80 • 85		22 x 14		
1615	40	12 x 8	55	16 x 10	90 • 95	25 x 14	[5050]	55	16 x 10	
	12	4 x 4	60 • 65	18 x 11	100 • 105 • 110	28 x 16		60 • 65	18 x 11	
	14 • 15 • 16	5 x 5	70 • 75	20 x 12	115 • 120	32 x 18		70 • 75	20 x 12	
	18 • 19 • 20 • 22	6 x 6	3030	22	6 x 6	55		16 x 10	80 • 85	22 x 14
	24 • 25 • 28 • 30	8 x 7		24 • 25 • 28 • 30	8 x 7	60 • 65		18 x 11	90 • 95	25 x 14
32 • 35 • 38	10 x 8	32 • 35 • 36 • 38		10 x 8	39 • 40 • 42	12 x 8	100 • 110	28 x 16		
39 • 40	12 x 8	45 • 48 • 50		14 x 9	45 • 48 • 50	14 x 9	115 • 120 • 125	32 x 18		
42	12 x 7*	55		16 x 10	60 • 65	18 x 11	2012	14 • 16	5 x 5	
2012	14 • 16	5 x 5	70 • 75	20 x 12	18 • 19 • 20 • 22	6 x 6		18 • 19 • 20 • 22	6 x 6	
	18 • 19 • 20 • 22	6 x 6	[]	Contact Optibelt for availability.	24 • 25 • 28 • 30	8 x 7		24 • 25 • 28 • 30	8 x 7	
	32 • 35 • 38	10 x 8		32 • 35 • 38	10 x 8	32 • 35 • 36 • 38		10 x 8	32 • 35 • 38	10 x 8
	40 • 42	12 x 8		39 • 40 • 42	12 x 8	40 • 42		12 x 8	40 • 42	12 x 8
	45 • 48	14 x 9		45 • 48 • 50	14 x 9	45 • 48	14 x 9	45 • 48	14 x 9	

* Shallow Keyseat
[] Contact Optibelt for availability.

TB BUSHINGS
METAL PRODUCTS

U.S. STANDARD & METRIC PROFILE DST DOUBLE SPLIT TAPER-LOCK BUSHINGS

BUSHING	DIMENSIONS (IN)					BOLTS REQUIRED	CAP SCREWS (GRADE 5 MIN.)	
	A	B	D	E	L		QUANTITY	SIZE
H	1-1/32	1-5/8	2-1/2	1	1-11/32	2	2	1/4 x 1
BUSHING	BORE RANGE (IN)			WEIGHT (LBS)		KEY (IN)		
H	3/8**, 7/16**			0.9		None		
	1/2**, 9/16**			0.9		1/8 x 1/16		
	5/8, 11/16, 3/4, 13/16, 7/8			0.9		3/16 x 3/32		
	15/16, 1, 1-1/16, 1-1/8, 1-3/16, 1-1/4			0.9		1/4 x 1/8		
	1-5/16, 1-3/8			0.9		5/16 x 1/16*		
	1-3/8†, 1-7/16**, 1-1/2**			0.9		3/8 x 1/16*		
BUSHING	BORE RANGE (MM)			WEIGHT (LBS)		KEY (MM)		
H	10**, 11**			0.9		No Key		
	14**, 15**, 16, 17			0.9		5 x 2.3		
	18, 19, 20, 22			0.9		6 x 2.8		
	24, 25, 28, 30			0.9		8 x 3.3		
	32**, 35**			0.9		10 x 3.3		



U.S. STANDARD PROFILE QD BORES

BUSHING	STOCK BORE (IN)	KEY (IN)	BUSHING	STOCK BORE (IN)	KEY (IN)	BUSHING	STOCK BORE (IN)	KEY (IN)	
L	3/8 • 7/16	No Keyseat	E	7/8	3/16 X 3/32	N	2.75	5/8 x 5/16	
	1/2° • 9/16	1/8 x 1/16		15/16 • 1 • 1-1/16 • 1-1/8	1/4 x 1/8		1/4 x 1/8	[2-15/16] • [3] • 3-1/4	3/4 x 3/8
	5/8 • 11/16 • 3/4 • 13/16 • 7/8	3/16 x 3/32		1-3/16 • 1-1/4	1/4 x 1/8		1/4 x 1/8	3-5/16 • 3-3/8 • 3-7/16 • 3-1/2	7/8 x 7/16
	15/16 • 1 • 1-1/16 • 1-1/8	1/4 x 1/8		1-5/16 • 1-3/8	1/4 x 1/8		1/4 x 1/8	[3-5/8] • 3-3/4	7/8 x 7/16
	1-3/16 • 1-1/4	1/4 x 1/8		1-7/16 • 1-1/2 • 1-9/16 • 1-5/8	1/4 x 1/8		1/4 x 1/8	3-7/8 • 3-15/16 • 4 • 4-3/16	1 x 1/2
	1-5/16 • 1-3/8	5/16 x 1/16**		1-11/16 • 1-3/4	1/4 x 1/8		1/4 x 1/8	4-1/8 • 4-1/4 • 4-3/8 • 4-7/16	1 x 1/2
1-7/16	3/8 x 1/16**	1-13/16 • 1-7/8 • 1-15/16 • 2	1/2 x 1/4	1/2 x 1/4	4-1/2	1 x 1/2			
1-1/2	3/8 x 3/64**	2-1/16 • 2-1/8	1/2 x 1/4	1/2 x 1/4	4-9/16 • 4-5/8 • 4-11/16	1-1/4 x 5/8			
JA	1/2° • 9/16	1/8 x 1/16	2-3/16 • 2-1/4	1/2 x 1/4	4-3/4 • 4-8 • 4-15/16 • 5	1-1/4 x 5/8			
	5/8 • 11/16 • 3/4 • 13/16 • 7/8	3/16 x 3/32	2-1/4KW5/8* • 2-5/16 • 2-3/8	5/8 x 5/16	5-1/8 • [5-3/16] • 5-1/4	1-1/4 x 1/4**			
	15/16 • 1	1/4 x 1/8	2-7/16 • 2-1/2 • 2-9/16 • 2-5/8	5/8 x 5/16	5-5/16 • 5-3/8 • 5-7/16 • 5-1/2	1-1/4 x 1/4**			
	1-1/16 • 1-1/8 • 1-3/16	1/4 x 1/16**	2-11/16 • 2-3/4	5/8 x 5/16	5-3/4	1-1/4 x 1/4**			
1-1/4	1/4 x 1/32**	2-13/16 • 2-7/8	3/4 x 3/8	5-7/8	1-1/2 x 1/4**				
SH	1/2° • 9/16	1/8 x 1/16	2-15/16 • 3 • 3-1/16 • 3-1/8	3/4 x 1/8**	5-15/16 • 6	1-1/2 x 1/8**			
	5/8 • 11/16 • 3/4 • 13/16 • 7/8	3/16 x 3/32	3-3/16 • 3-1/4	3/4 x 1/8**					
	15/16 • 1 • 1-1/16 • 1-1/8	1/4 x 1/8	3-5/16 • 3-3/8 • 3-7/16 • 3-1/2	3/4 x 1/8**					
	1-3/16 • 1-1/4	1/4 x 1/8							
	1-5/16 • 1-3/8	5/16 x 5/32							
	1-1/4	3/8 x 1/8**							
SDS	1/2° • 9/16	1/8 x 1/16	F	1 • 1-1/16 • 1-1/8 • 1-3/16 • 1-1/4	1/4 x 1/8	P	2-15/16 • [3-1/4]	3/4 x 3/8	
	5/8 • 11/16 • 3/4 • 13/16 • 7/8	3/16 x 3/32		1-5/16 • 1-3/8	5/16 x 5/32		3-3/8 • 3-7/16 • [3-1/2]	7/8 x 7/16	
	15/16 • 1 • 1-1/16 • 1-1/8	1/4 x 1/8		1-7/16 • 1-1/2 • 1-9/16 • 1-5/8	3/8 x 3/16		[3-5/8] • [3-3/4]	7/8 x 7/16	
	1-3/16 • 1-1/4	1/4 x 1/8		1-11/16 • 1-3/4	3/8 x 3/16		[3-7/8] • 3-15/16 • 4 • [4-1/4]	1 x 1/2	
	1-5/16 • 1-3/8	5/16 x 5/32		1-13/16 • 1-7/8 • 1-15/16 • 2	1/2 x 1/4		[4-3/8] • 4-7/16 • 4-1/2	1 x 1/2	
	1-7/16 • 1-1/2 • 1-9/16 • 1-5/8	3/8 x 3/16		2-1/16 • 2-1/8 • 2-3/16 • 2-1/4	1/2 x 1/4		[4-5/8] • [4-11/16] • [4-3/4]	1-1/4 x 5/8	
1-11/16 • 1-3/4	3/8 x 1/8**	2-1/4 KW5/8* • 2-5/16 • 2-3/8	3/4 x 3/8	[4-7/8] • 4-15/16 • 5 • 5-1/8	1-1/4 x 5/8				
1-13/16	1/2 x 1/8**	2-7/16 • 2-1/2 • 2-9/16 • 2-5/8	3/4 x 3/8	[5-3/16] • 5-1/4 • 5-5/16	1-1/4 x 5/8				
1-7/8 • 1-15/16	1/2 x 1/16**	2-11/16 • 2-3/4	3/4 x 3/8	5-3/8 • 5-7/16 • 5-1/2	1-1/4 x 5/8				
2	No Keyseat	3-1/16 • 3-1/8 • 3-3/16 • 3-1/4	3/4 x 3/8	5-3/4 • 5-7/8 • 5-15/16 • 6	1-1/2 x 1/4**				
SD	1/2° • 9/16	1/8 x 1/16	3-13/16 • 3-7/8 • 3-15/16	3/4 x 1/8**	6-1/16 • [6-1/4] • [6-7/16]	1-1/2 x 1/4**			
	5/8 • 11/16 • 3/4 • 13/16 • 7/8	3/16 x 3/32	4	No Keyseat	6-1/2	1-1/2 x 1/4**			
	15/16 • 1 • 1-1/16 • 1-1/8	1/4 x 1/8			6-3/4 • 6-15/16 • 7	1-3/4 x 1/8**			
	1-3/16 • 1-1/4	1/4 x 1/8							
	1-5/16 • 1-3/8	5/16 x 5/32							
	1-7/16 • 1-1/2 • 1-9/16 • 1-5/8	3/8 x 3/16							
1-11/16 • 1-3/4	3/8 x 1/8**								
1-13/16	1/2 x 1/8**								
1-7/8 • 1-15/16	1/2 x 1/16**								
2	No Keyseat								
SK	1/2° • 9/16	1/8 x 1/16	J	1-7/16 • 1-1/2 • 1-9/16 • 1-5/8	3/8 x 3/16	W	[4-1/4] • 4-7/16 • [4-1/2]	1 x 1/2	
	5/8 • 11/16 • 3/4 • 13/16 • 7/8	3/16 x 3/32		1-11/16 • 1-3/4	3/8 x 3/16		4-5/8 • 4-3/4 • [4-7/8] •	1-1/4 x 5/8	
	15/16 • 1 • 1-1/16 • 1-1/8	1/4 x 1/8		1-13/16 • 1-7/8 • 1-15/16 • 2	1/2 x 1/4		4-15/16	1-1/4 x 5/8	
	1-3/16 • 1-1/4	1/4 x 1/8		2-1/8 • 2-3/16 • 2-1/4	1/2 x 1/4		5 • [5-3/8] • 5-7/16 • 5-1/2	1-1/4 x 5/8	
	1-5/16 • 1-3/8	5/16 x 5/32		2-5/16 • 2-3/8 • 2-7/16 • 2-1/2	5/8 x 5/16		5-11/16	1-1/2 x 3/4	
	1-7/16 • 1-1/2 • 1-9/16 • 1-5/8	3/8 x 3/16		2-9/16 • 2-5/8 • 2-11/16	5/8 x 5/16		6-1/4 • 6-7/8 • 6-15/16 • 6	1-1/2 x 3/4	
1-11/16 • 1-3/4	3/8 x 1/8**	2-3/4	5/8 x 5/16	6-3/4 • 6-7/8 • 6-15/16 • 7	1-3/4 x 3/4**				
1-13/16	1/2 x 1/8**	2-13/16 • 2-7/8 • 2-15/16 • 3	5/8 x 5/16	7-1/4 • 7-3/8 • 7-7/16 • 7-1/2	1-3/4 x 3/4**				
1-7/8 • 1-15/16	1/2 x 1/16**	3-1/16 • 3-1/8 • 3-3/16 • 3-1/4	3/4 x 3/8	7-3/4 • 7-7/8 • 8 • 8-1/2	2 x 1/4**				
2	No Keyseat	3-5/16 • 3-3/8 • 3-7/16 • 3-1/2	3/4 x 3/8						
SF	1/2° • 9/16	1/8 x 1/16	3-5/8 • 3-11/16 • 3-3/4	7/8 x 7/16	S	[5-1/2]	1 1/4 x 5/8		
	5/8 • 11/16 • 3/4 • 13/16 • 7/8	3/16 x 3/32	3-13/16 • 3-7/8 • 3-15/16 • 4	7/8 x 7/16		[5-3/4 • 5-7/8 • 5-15/16 • 6]	1 1/2 x 3/4		
	15/16 • 1 • 1-1/16 • 1-1/8	1/4 x 1/8	4-1/8 • 4-3/16 • 4-1/4 • 4-5/16	1 x 1/2		[6-1/4 • 6-7/16 • 6-1/2]	1 1/2 x 3/4		
	1-3/16 • 1-1/4	1/4 x 1/8	3-7/8 • 3-15/16	1 x 3/8**		[6-3/4 • 6-15/16 • 7 • 7-1/4 •	1 3/4 x 3/4		
	1-5/16 • 1-3/8	5/16 x 5/32	4 • 4-1/8 • 4-3/16 • 4-1/4	1 x 1/8**		7-1/2]	2 x 3/4		
	1-7/16 • 1-1/2 • 1-9/16 • 1-5/8	3/8 x 3/16	4-3/8 • 4-7/16 • 4-1/2	1 x 1/8**		[7-3/4 • 7-7/8 • 8 • 8 1/4]	2 x 1/4**		
1-11/16 • 1-3/4	3/8 x 3/16			[8 1/2]	2 1/2 x 1/4**				
1-13/16 • 1-7/8 • 1-15/16 • 2	1/2 x 1/4			[9 1/4]					
2-1/16 • 2-1/8 • 2-3/16 • 2-1/4	1/2 x 1/4								
2-1/4 KW5/8*	5/8 x 5/16								
2-5/16 • 2-3/8 • 2-7/16 • 2-1/2	5/8 x 3/16**								
2-9/16 • 2-5/8 • 2-11/16 • 2-3/4	5/8 x 1/16**								
2-13/16 • 2-7/8	3/4 x 1/16**								
2-15/16	3/4 x 1/32**								

QD BORES
METAL PRODUCTS

* Bushings with 1/2" wide keyway will be shipped unless the 5/8" keyway is specified when ordering.

** Shallow keyseat, special order.

° All 1/2" bore sizes are stocked without a keyseat. A standard keyseat 1/8" x 1/16" is available upon request.

() Contact for availability.

Note: Bushings L, JA, SH, SDS, SD, SK, SF, E, F, J & M are manufactured in ductile iron.



METRIC PROFILE QD BORES

BUSHING	STOCK BORE (IN)	KEY (IN)
L	14 • 15 • 16	5 x 5
	18 • 19 • 20 • 22	6 x 6
	24 • 25 • 28 • 30	8 x 7
	32	10 x 8
	35 • (38)	10 x 6**
JA	14 • 15 • 16	5 x 5
	18 • 19 • 20 • 22	6 x 6
	24 • 25	8 x 6**
	28	8 x 5**
SH	14 • 15 • 16	5 x 5
	18 • 19 • 20 • 22	6 x 6
	24 • 25 • 28 • 30	8 x 7
	32 • 35	10 x 8
	38	10 x 7**
	40	No Keyseat
SDS & SD	14 • 15 • 16	5 x 5
	18 • 19 • 20 • 22	6 x 6
	24 • 25 • 28 • 30	8 x 7
	32 • 35 • 38	10 x 8
	40 • 42	12 x 8
SK	14 • 15 • 16	5 x 5
	18 • 19 • 20 • 22	6 x 6
	24 • 25 • 28 • 30	8 x 7
	32 • 35 • 38	10 x 8
	40 • 42	12 x 8
	45 • 48 • 50	14 x 9
	55	16 x 10
	60	18 x 9**

BUSHING	STOCK BORE (IN)	KEY (IN)
SF	25 • 28 • 30	8 x 7
	32 • 35 • 38	10 x 8
	40 • 42	12 x 8
	45 • 48 • 50	14 x 9
	55	16 x 10
	60 • 65	18 x 11
E	35 • 38	10 x 8
	40 • 42	12 x 8
	45 • 48 • 50	14 x 9
	55	16 x 10
	60 • 65	18 x 11
	70 • 75	20 x 12
F	45 • 48 • 50	14 x 9
	55	16 x 10
	60 • 65	18 x 11
	70 • 75	20 x 12
	80 • 85	22 x 14
	90 • 95	25 x 14
100	No Keyseat	

BUSHING	STOCK BORE (IN)	KEY (IN)
J	50	14 x 9
	55	16 x 10
	60 • 65	18 x 11
	70 • 75	20 x 12
	80 • 85	22 x 14
	90 • 95	25 x 14
	100	28 x 16
	(110)	28 x 15**
	(115)	28 x 10.9**
	M	90
100		28 x 16
115 • 120		32 x 18
N	90	25 x 14
	100 • 110	28 x 16
	120	32 x 18
P	130	32 x 18
	(150)	36 x 20

** Shallow Keyseat

() Contact Optibelt for availability.



REFERENCE

SHAFT DIAMETERS & KEY SIZES

U.S. STANDARD SHAFT DIAMETERS & KEY SIZES

SHAFT DIAMETER (IN)		KEYWAY (IN)		KEY (IN)	
FROM	TO	WIDTH (W)	DEPTH (T ₁)	WIDTH (W)	DEPTH (T)
5/16	7/16	3/32	3/64	3/32	3/32
1/2	9/16	1/8	1/16	1/8	1/8
5/8	7/8	3/16	3/32	3/16	3/16
15/16	1 1/4	1/4	1/8	1/4	1/4
1 5/16	1 3/8	5/16	5/32	5/16	5/16
1 7/16	1 3/4	3/8	3/16	3/8	3/8
1 13/16	2 1/4	1/2	1/4	1/2	1/2
2 5/16	2 3/4	5/8	5/16	5/8	5/8
2 13/16	3 1/4	3/4	3/8	3/4	3/4
3 5/16	3 3/4	7/8	7/16	7/8	7/8
3 13/16	4 1/2	1	1/2	1	1
4 9/16	5 1/2	1 1/4	5/8	1 1/4	1 1/4
5 9/16	6 1/2	1 1/2	3/4	1 1/2	1 1/2
6 9/16	7 1/2	1 3/4	3/4	1 3/4	1 3/4
7 9/16	9	2	3/4	2	1 1/2

METRIC STANDARD SHAFT DIAMETERS & KEY SIZES

SHAFT DIAMETER (MM)		KEYWAY (MM)		KEY (MM)	
FROM	TO	WIDTH (W)	DEPTH (T ₁)	WIDTH (W)	DEPTH (T)
6	7	2	1.0	2	2
8	9	3	1.4	3	3
10	11	4	1.8	4	4
12	16	5	2.3	5	5
17	21	6	2.8	6	6
22	29	8	3.3	7	7
30	37	10	3.3	8	8
38	43	12	3.3	10	8
44	49	14	3.8	12	9
50	57	16	4.3	14	10
58	64	18	4.4	16	11
65	74	20	4.9	18	12
75	84	22	5.4	20	14
85	94	25	5.4	22	14
95	109	28	6.4	25	16
110	129	32	7.4	28	18
130	149	36	8.4	32	20
150	169	40	9.4	36	22
170	199	45	10.4	40	25
200	229	50	11.4	45	28
230	259	56	12.4	50	32
260	289	63	12.4	56	32
290	329	70	14.4	63	36
330	379	80	15.4	70	40
380	439	90	17.4	80	45
440	500	100	19.4	90	50

BRITISH & U.S. KEY SIZES

BORE (INCH)	KEYWAY (INCH)			
	BRITISH*		USA**	
	WIDTH	HEIGHT	WIDTH	HEIGHT
3/8	1/8	1/16	3/32	3/64
7/16	1/8	1/16	3/32	3/64
1/2	1/8	1/16	1/8	1/16
9/16	3/16	3/32	1/8	1/16
5/8	3/16	3/32	3/16	3/32
11/16	3/16	3/32	3/16	3/32
3/4	3/16	3/32	3/16	3/32
13/16	1/4	1/8	3/16	3/32
7/8	1/4	1/8	3/16	3/32
15/16	1/4	1/8	1/4	1/8
1	1/4	1/8	1/4	1/8
1 1/16	5/16	1/8	1/4	1/8
1 1/8	5/16	1/8	1/4	1/8
1 3/16	5/16	1/8	1/4	1/8
1 1/4	5/16	1/8	1/4	1/8
1 5/16	3/8	1/8	5/16	5/32
1 3/8	3/8	1/8	5/16	5/32
1 7/16	3/8	1/8	3/8	3/16
1 1/2	3/8	1/8	3/8	3/16
1 5/8	7/16	5/32	3/8	3/16
1 3/4	7/16	5/32	3/8	3/16
1 7/8	1/2	5/32	1/2	1/4
2	1/2	5/32	1/2	1/4
2 1/8	5/8	7/32	1/2	1/4
2 1/4	5/8	7/32	1/2	1/4
2 3/8	5/8	7/32	5/8	5/16
2 1/2	5/8	7/32	5/8	5/16
2 5/8	3/4	1/4	5/8	5/16
2 3/4	3/4	1/4	5/8	5/16
2 7/8	3/4	1/4	3/4	3/8
3	3/4	1/4	3/4	3/8
3 1/8	7/8	5/16	3/4	3/8
3 1/4	7/8	5/16	3/4	3/8
3 3/8	7/8	5/16	7/8	7/16
3 1/2	7/8	5/16	7/8	7/16
3 3/4	1	3/8	7/8	7/16
4	1	3/8	1	1/2
4 1/4	1 1/4	7/16	1	1/2
4 1/2	1 1/4	7/16	1	1/2
4 3/4	1 1/4	7/16	1 1/4	5/8
5	1 1/4	7/16	1 1/4	5/8

*British Standards = BS-46

**US Standards = NEMA/ANSI B17.1

SHAFT DIAMETERS
AND KEY SIZES
METAL PRODUCTS

Contact an Optibelt representative regarding additional sizes, stock availability and pricing.

All weights are estimated per rib.

Additional sizes and stocking available.

Custom Sizes & Ordering

Additional stocked and custom sizes available.
Contact customer service for details.

Need Help?

Contact Optibelt customer service.
Our friendly staff is here to assist you.

TOLL FREE: 800-292-6081
E-mail: info@optibelt-usa.com



TB MAXIMUM BORE CAPACITIES

BUSHING	SINTERED STEEL (MM)			STEEL (MM)			CAST IRON (MM)			DUCTILE IRON (MM)		
	FULL KEYWAY	SHALLOW KEYWAY	NO KEYWAY	FULL KEYWAY	SHALLOW KEYWAY	NO KEYWAY	FULL KEYWAY	SHALLOW KEYWAY	NO KEYWAY	FULL KEYWAY	SHALLOW KEYWAY	NO KEYWAY
1008	22	25	25	22	22	26						
1108	25	25	29	25	28	29						
1210	32	32	32	32	32	32						
1215	32	32	32	32	32	32						
1310	35	35	35	35	35	36						
1610	40	40	40	42	42	44						
1615	40	40	40	42	42	44						
2012	50	50	51	50	50	55						
2517	60	60	64	65	65	68						
2525				65	65	68	60	60	64			
3020	75	75	76	80	80	82						
3030				80	80	82	75	75	76			
3525							90	90	90	95	100	100
3535							90	90	90	95	95	100
4030							100	100	102	110	115	115
4040							100	100	102	105	105	113
4535							110	110	114	125	125	125
4545							110	110	114	115	115	125
5040							125	125	127	127	127	134
5050							125	125	127	127	127	134
6050							152	152	152	152	152	152
7060							177	177	180	180	180	180
8065							203	203	203	203	203	203
10085							254	254	254	254	254	254
120100							304	304	304	304	304	304

BORE CAPACITIES
METAL PRODUCTS

QD MAXIMUM BORE CAPACITIES

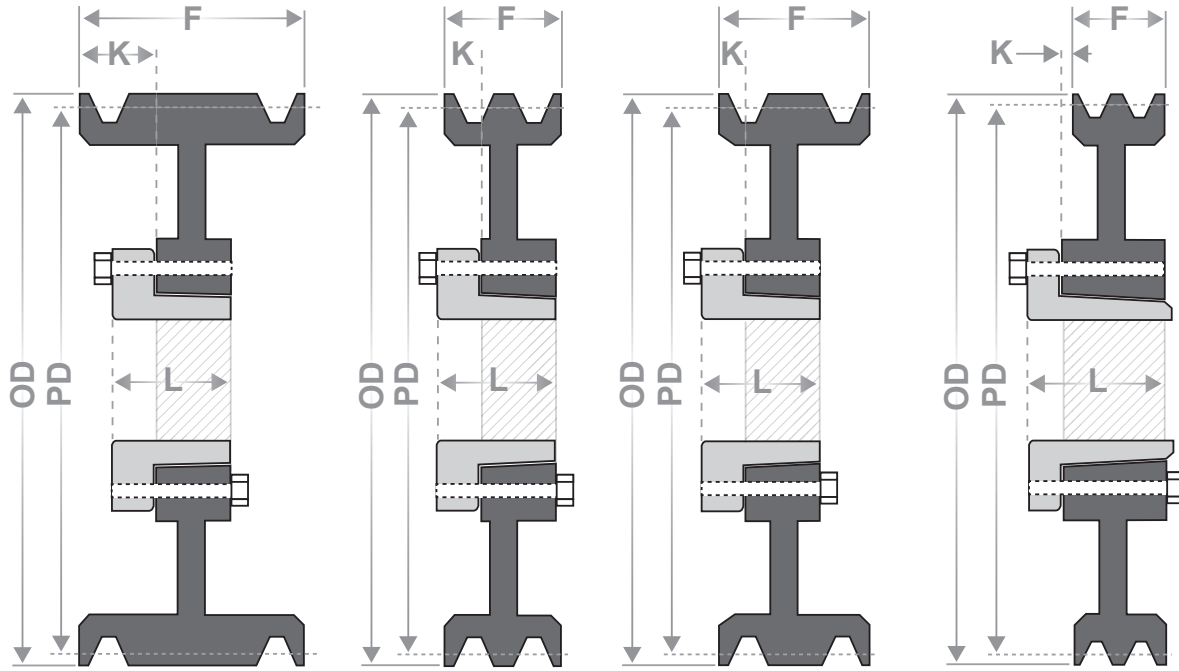
BUSHING	SINTERED STEEL (IN)		CAST IRON (IN)		DUCTILE IRON (IN)	
	STOCK BORE	MAXIMUM BORE	STOCK BORE	MAXIMUM BORE	STOCK BORE	MAXIMUM BORE
JA	1/2	1-1/16				
SH	1/2	1-1/4			12	1-11/16
SDS	1/2	1-5/8			1-7/16	2
SDS	1/2	1-9/16			1-9/16	2
SK	1/2	2-1/6			2	2-5/8
SF	1/2	2-3/8			2-5/16	2-15/16
E			7/8	3	7/8	3-1/2
F			1	3-7/16	1	4
JA			1-1/2	3-7/8	1-1/2	4-1/2
M			2	5	2	5-1/2
N			2-7/16	5-1/4	2-7/16	6
P			3-7/16	7	3-7/16	7
W			4	8		

<p>Need Help? Contact Optibelt customer service. Our friendly staff is here to assist you. TOLL FREE: 800-292-6081 E-mail: info@optibelt-usa.com</p>	<p>Custom Sizes & Ordering Additional stocked and custom sizes available. Contact customer service for details.</p>	<p>Contact an Optibelt representative regarding additional sizes, stock availability and pricing. All weights are estimated per rib. Additional sizes and stocking available.</p>
--	--	---



QD SHEAVE SPECIFICATIONS

REFERENCE

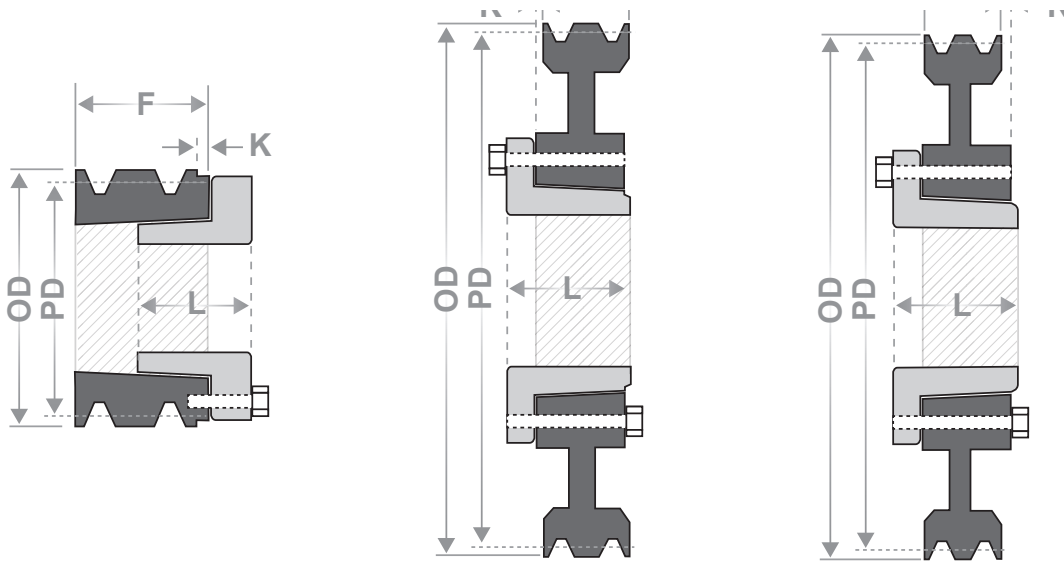


TYPE: A

TYPE: B

TYPE: C

TYPE: D



TYPE: E

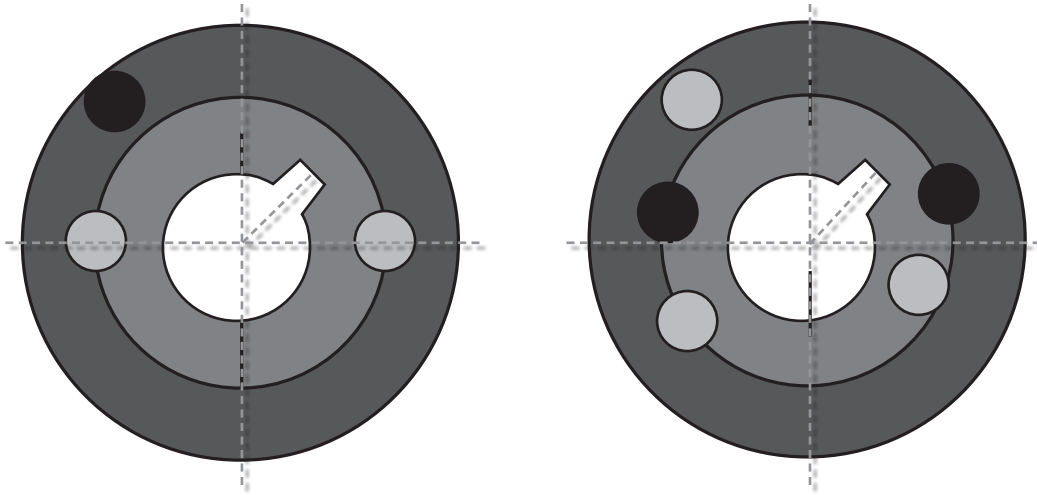
TYPE: F

TYPE: G

QD SHEAVE
SPECIFICATIONS
METAL PRODUCTS

TAPER BUSHING INSTALLATION INSTRUCTIONS

REFERENCE



ASSEMBLY

1. Clean and de-grease the bore and taper surfaces of the bush and the tapered bore of the pulley. Insert the bush in the pulley hub and line up the holes (half thread holes must line up with half straight holes).
2. Lightly oil the set screws (bush size 1008 to 3030) or the cap screws (bush size 3535 to 5050) and screw them in, do not tighten yet.
3. Clean and de-grease the shaft fit pulley with taper bush on shaft and locate in desired position.
4. When using a key it should first be fitted in the shaft keyway. There should be a top clearance between the key and the keyway in the bore.
5. Using a hexagon socket wrench (ANSI/ASME) gradually tighten the grub cap screws in accordance with the torques as listed in the schedule of screw tightening torques.
6. When the drive has been operating under load for a short period (half hour to one hour) check and ensure that the screws remain at the appropriate tightening torque.
7. In order to eliminate the ingress of dirt, fill all empty holes with grease.

REMOVAL

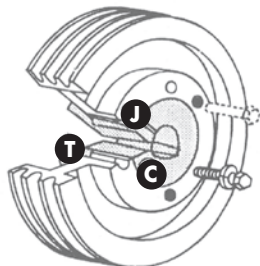
1. Slacken all screws. Depending on the size of the bush, remove one or two. After oiling point and thread of grub screws or under head and thread of cap screws, insert them into the jacking off hole(s) in bush.
2. Tighten screw(s) uniformly and alternately until the bush is loose in the hub and pulley is free on the shaft.
3. Remove pulley bush assembly from shaft.



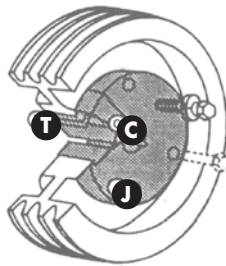
QD BUSHING INSTALLATION INSTRUCTIONS

REFERENCE

QD bushing sizes JA through N can be assembled in either of the two positions shown below. Sizes P through S should be assembled in position one. Position One is the conventional or standard mounting. Position Two (Reverse Mounting) may be necessary in some cases, such as mounting small sheaves with blind holes (not drilled through).



Position 1



Position 2

* For Normal Applications. For high-load applications these values can be increased by a maximum of 50%.

DO NOT USE LUBRICANTS: Excessive cap-screw torque can cause sheave and/or bushing breakage. The use of lubricants can cause sheave breakage.

BUSHING	CAP SCREW SIZE—THREAD	TORQUE* FT/LBS
JA	10—24	3
SH - SDS - SD	1/4—20	6
SK	5/16—18	10
SF	3/8—16	20
E	1/2—13	40
F	9/16—12	50
J	5/8—11	90
M	3/4—10	150
N	7/8—9	200
P	1—8	300
W	1-1/8—7	400
S	1-1/4—7	500

INSTALLATION

1. Make sure the tapered-cone surface of the bushing and the mating bore of the sheave are free of all foreign substances, such as dirt, excess paint accumulations, metal chips, lubricants, etc.
2. For position one or two (whichever applies), line up the unthreaded holes (C) with the threaded holes (T) and insert cap screws with lock washers engaging only two or three threads (*a).
3. With key in shaft keyway, slide the loosely-assembled unit onto shaft and position for good belt alignment (*b, *c).
Use no lubricants or anti-seize compound on threads or tapered surfaces.
4. Carefully tighten the cap screws alternately and progressively until the tapers are seated (at approximately half the recommended torque).
5. Check alignment and sheave runout (wobble) and correct as necessary.
6. Continue careful alternate and progressive tightening of the cap screws to the recommended torque values shown in the table. **Maximum torque should be achieved on each individual bolt only two times in the consecutive tightening.**

Note: When properly mounted, there will be a gap between the bushing flange and sheave after the screws are tightened.

7. Tighten the set screw, when available, to hold the key securely during operation.

REMOVAL

1. Loosen and remove all mounting cap screws.
2. Insert cap screws in all threaded jack screw holes (J).
3. Start with the screws furthest from the bushing saw slot and tighten all jack screws alternately and progressively. Keep turning the screws in small equal amounts until the tapered surfaces disengage.

(*a) When mounting a sheave on M through W size bushing, position the threaded jack-apart hole (J) as far from the bushing saw as possible to reduce the possibility of bushing breakage.

(*b) When installing large or heavy parts in **Position One**, it may be easier to mount the key and bushing on the shaft first. Then place the sheave on the bushing and align the holes.

(*c) **Caution:** When mounting on a vertical shaft, provisions must be made, which will positively prevent the sheave and/or bushing from dropping during installation.

(*a)(*b)(*c) for dimensional reference see page 48.



Optibelt SERVICE KIT

Includes all that is needed to keep belts tensioned properly, drives aligned and notes are easily referenced.

INCLUDES:

- Service Box
- TT Tester
- Laser Pointer II Drive Alignment
- Label Kit
- Carrying Case



Optibelt TT TESTER

Frequency measurements taken two way: electro magnetic wave (EMV) and ACC. Measures ranges 1 - 600 Hz. Includes carry case.

INCLUDES:

- 2-Way Measurements taken: electro magnetic wave & ACC
- Measured frequency ranges:
ACC: 1 - 10 Hz, EMV: 6 - 600 Hz.
- Easy to align 2 LED dot method.
- Flexible goose-neck
- Easy to read large color LCD display.
- On-board rechargeable lithium battery.





Optibelt OPTIKRIK 0, 1, 2, 3 TENSION TESTERS

Belt tension gauges reliably check whether a V, ribbed, or banded belt has been correctly tensioned.

TENSION GAUGES:

Optikrik 0	Range: 15 – 35 lbs
Optikrik I	Range: 30 – 150 lbs
Optikrik II	Range: 100 – 300 lbs
Optikrik III	Range: 300 – 700 lbs



Optibelt SERVICE BOX

An all-in-one simple service box contains all you need to tension belts, measure sheaves, and measure drive or belt lengths.

CONTENTS

- 4 pieces Optikrik gauges, Types 0, I, II, III
- 1 set of V-belt and pulley groove gauges
- 1 measuring tape, 10 ft
- 1 ballpoint pen
- 1 set of ribbed belt groove gauges

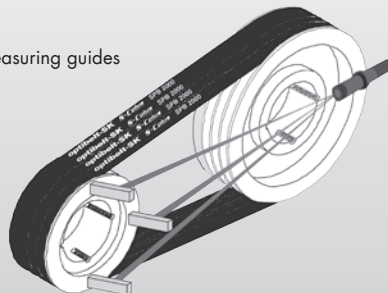


Optibelt LASER POINTER II DRIVE ALIGNMENT

Allows for precision alignment of belt drives. Magnetic measurement points and laser makes the process quick and easy.

CONTENTS

- Magnetic laser pointer
- 5 Magnetic alignment measuring guides
- Magnetic leveling bar





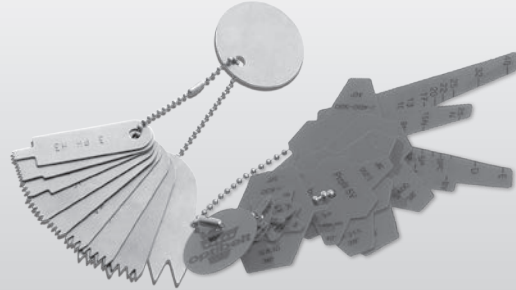
BELT LENGTH GAUGE

Accurately measures V-belts
from 500 – 2500 mm
(19.5 – 98.5 in)
inside length (Li).



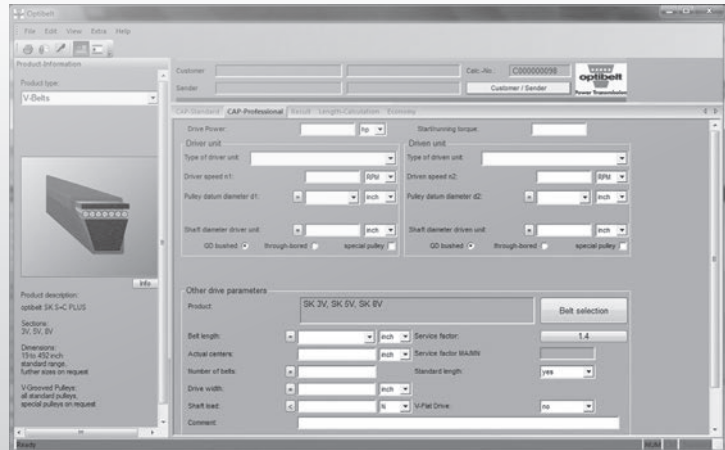
V-BELT & RIBBED GAUGES

Valuable tools for measuring V-belt and
ribbed belt sheaves to ensure proper fit.



Optibelt CAP DRIVE CALCULATION SOFTWARE

Download the free and current version of our
drive & length calculation software for V,
ribbed & timing belts to optimize drive
performance. Available at: www.Optibelt-usa.com



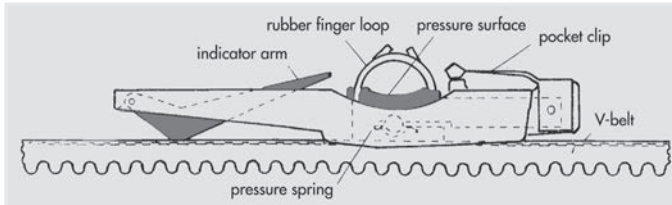
TECH TOOLS
MAINTENANCE



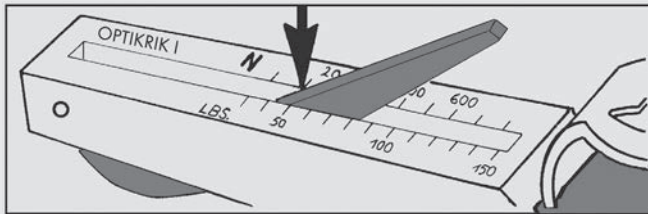
TENSIONING MAINTENANCE

This simplified tensioning method should be used for installation and maintenance tensioning of the belt when the important technical data is unavailable and the optimum tension cannot be calculated. This method requires only knowledge of the small pulley diameter and the belt section and construction. The gauges themselves may be used to set tensions also when the technical data is known and the optimum tension can be calculated.

TENSIONING GAUGES – INSTRUCTIONS FOR USE



1. Select the gauge appropriate to the belt section and construction being tensioned. See notes below the simplified tensioning table.
2. Figure 2 shows three ways to hold the gauges so that pressure is applied to the black pad only.
3. Position the gauge on one of the belts on the drive in the middle of an accessible span length. Take care to ensure that the gauge is only in contact with one of the belts, and that the indicator is pushed down into the gauge body. Align the gauge so that its body is parallel with the sides of the belt.
4. Push slowly and firmly on the black pad. When a CLICK is heard and/or felt, stop immediately and remove the gauge carefully to avoid disturbing the indicator arm.



5. Read the gauge to judge the tension as follows.
6. Turn the gauge sideways to ascertain the exact point where the top surface of the black indicator crosses the scale.
7. Mark this point mentally or with a thumbnail and turn the gauge to read the scale.
8. Check the tension found against the simplified tensioning table. Tighten or slacken the belt, if necessary.

Simplified Tensioning Table

To use this table belt construction (standard wrapped or S-TX raw edge, molded cogged), and the diameter of the smallest pulley on the drive should be known. Note also that the belt tension is higher or lower depending on whether the belt is on first installation or whether it is being re-tensioned.

Example

- | | |
|--|--------|
| 1. V-belt section | 3V |
| 2. Smallest pulley diameter on drive | 3.15" |
| 3. Static tension – initial installation | 55 lbs |
| 4. Static tension – re-tension | 45 lbs |

BELT SECTION	DIAMETER OF THE SMALLEST PULLEY (INCH)	STATIC TENSION (LBS)			
		STANDARD (WRAPPED)		SUPER X-POWER M=S SUPER TX M=S	
		INSTALL TENSION	RE-TENSION	INSTALL TENSION	RE-TENSION
SPZ 3V XPZ 3VX	≤ 2.80	45	35	55	45
	> 2.80 ≤ 3.65	55	45	70	55
	> 3.65 ≤ 5.00	80	55	90	70
	> 5.00 *				
SPA XPA	≤ 3.95	80	55	90	70
	> 3.95 ≤ 5.50	90	70	110	90
	> 5.50 ≤ 8.00	110	90	135	100
	> 8.00 *				
SPB 5V XPB 5VX	≤ 6.30	150	110	160	120
	> 6.30 ≤ 9.00	160	120	190	150
	> 9.00 ≤ 14.00	200	160	220	180
	> 14.00 *				
SPC XPC	≤ 9.75	220	180	310	250
	> 9.75 ≤ 14.00	310	250	360	270
	> 14.00 ≤ 21.20	400	310	450	350
	> 21.20 *				
Z/10 ZX/X10	≤ 2.20	20	15	25	20
	> 2.20 ≤ 2.80	25	20	30	25
	> 2.80 ≤ 3.95	30	25	35	30
	> 3.95 *				
A/13 AX/X13	≤ 3.15	35	25	45	35
	> 3.15 ≤ 4.12	45	35	55	45
	> 4.12 ≤ 5.20	70	55	90	70
	> 5.20 *				
B/17 BX/X17	≤ 4.90	70	55	100	80
	> 4.90 ≤ 6.30	90	70	110	90
	> 6.30 ≤ 8.00	110	90	135	100
	> 8.00 *				
C/22 CX/X22	≤ 8.00	160	110	180	140
	> 8.00 ≤ 9.75	180	140	200	160
	> 9.75 ≤ 14.00	200	160	220	180
	> 14.00 *				

* Tension values for these sheaves must be calculated.

Tension gauges:

- | | |
|--------------|----------------------|
| Optikrik 0 | Range: 15 – 35 lbs |
| Optikrik I | Range: 30 – 150 lbs |
| Optikrik II | Range: 100 – 300 lbs |
| Optikrik III | Range: 300 – 700 lbs |

The static tension values shown are calculated for maximum power transmission capability per belt and should be applied only when accurate drive data is not available.

Calculation Limitations

- | | |
|-----------------|-------------------------------------|
| Wedge belts | belt speed v = 985 to 8265 feet/min |
| Classical belts | belt speed v = 985 to 5905 feet/min |



Correct design of drives using V-belts ensures long belt life and a high degree of operating safety. Premature failure can often be traced back to faulty installation or maintenance, thus the following recommendations are very important.

SAFETY

Before beginning any maintenance it is extremely important that any and all drive motors and other drive components are completely turned off. Care should be taken that these cannot be switched on again while work is taking place. This will ensure the safety of the maintenance workers.

SHEAVES

The grooves should be in good condition, free from scores or sharp edges, and all dimensions should conform to the relevant standard.

ALIGNMENT

Shafts and sheaves should be correctly aligned prior to belt installation. We recommend a maximum tolerance of $\pm 1/2^\circ$ in both planes.

MULTIPLE V-BELT DRIVES

For multiple V-belt drives it is necessary to assemble the belts in matched sets either by measurement or by examination of the manufacturer's code numbers or other markings. It may also be necessary to remeasure the belts if they have been stored for any length of time. V-belts in S=C PLUS and SUPER TX M=S construction may be used in matched sets without the need for reference to code marks, measurement, or re-measurement after storage.

INSTALLATION OF THE V-BELTS

The drive center distance should be reduced prior to the installation of the belts so that they may be fitted without undue force. The severe stresses placed upon V-belts if they are forced over the pulley flanges can damage the cover fabric and the high quality, low stretch tension members.

BELT TENSIONING

The drive should be tensioned (see initial installation) correctly and re-tensioned (see re-tension) after between 30 minutes and 4 hours at full load, to compensate for the small initial belt stretch and "bedding" into the pulley grooves.

IDLER PULLEYS

Where possible the use of idler pulleys should be avoided. If for design reasons, such an arrangement is necessary, then an inside idler should be used in preference to an outside idler. For other details refer to our Technical Manual.

MAINTENANCE

It is recommended that V-belt drives should be regularly inspected for loss of belt tension, unusual heat build up or wear. Re-tension or replace when necessary. Should an individual belt in a matched set require replacement for any reason, a complete new set must be fitted. Belts from different manufacturers must not be mixed on the same drive. V-belts need no special attention. Belt dressings must not be used.

SUMMARY

Properly stored V-belts ensures the belts integrity will not change over a period of many years (see also DIN 7716). In poor storage conditions and with incorrect handling, rubber products are, however, subject to changes in their integrity. These changes can for example, be caused by the effects of oxygen, ozone, temperature, light, moisture and solvents.

STORAGE AREA

The storage area should be dry, dust free and reasonably well ventilated. V-belts must not be stored close to chemicals, solvents, fuels, lubricants and acids etc.

TEMPERATURE

The storage temperature should be between $+15^\circ\text{C}/+59^\circ\text{F}$ and $+25^\circ\text{C}/+77^\circ\text{F}$. Normally lower temperatures are not detrimental to V-belts. Since they become very stiff at low temperatures, before fitting they should be warmed to a temperature of approximately $+20^\circ\text{C}/+68^\circ\text{F}$ to avoid ruptures and cracks. Radiators and their supply lines should be guarded. The distance between a radiator and the stored V-belts must be at least three feet.

LIGHT

V-belts should be protected against light, especially direct sunlight and high intensity artificial light having a high ultra violet content (ozone formation) such as naked fluorescent tubes. Illumination utilizing conventional light bulbs is advisable.

Wherever possible windows should be painted with a red or orange protective paint. Under no circumstances should blue be used.

OZONE

In order to counteract the harmful effects of ozone, warehouses should not contain any ozone producing appliances, for example fluorescent lights, mercury vapor lights or high voltage electrical equipment. Combustion gases and vapors which may lead to the formation of ozone by photo chemical processes must be avoided or eliminated.

MOISTURE

Damp store rooms are unsuitable. Care must be taken to ensure that condensation does not occur. The most favorable relative air humidity is below 65%.

STORAGE

Storage/stacking stresses can promote permanent deformation and the formation of cracks. Care must be taken to ensure that V-belts are stored without stress.

If V-belts are stored horizontally and stacked upon each other, it is recommended that the stack height does not exceed 12 inches to avoid deformation. If, to save space, V-belts are hung, the diameter of the cylinder on which the belts rest should be at least ten times the height of the belt section.

S=C PLUS and Super X-POWER M=S (SUPER TX) belts do not have to be stored in sets or remeasured before sale.

CLEANING

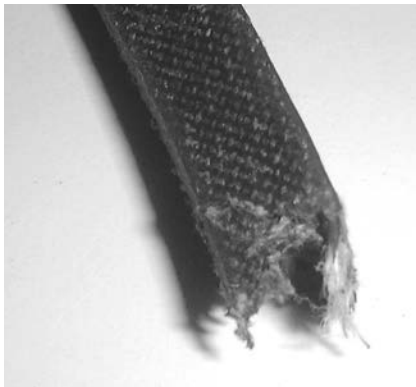



Contaminated V-belts can be cleaned using a 10:1 glycerine-spirit mixture. Benzene, benzol, and turpentine amongst others must not be used.

In addition, sharp edged objects, wire brushes, emery paper etc. must not be used under any circumstances; such action is damaging.



V-BELTS

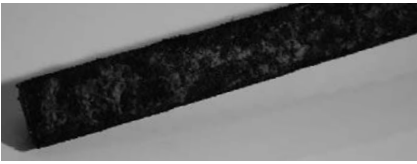
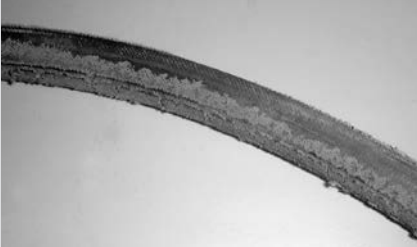


SERVICE SOLUTIONS

PROBLEM	POSSIBLE CAUSES	SOLUTION
Belt breaks after short running period (belt torn) 	<p>Forceful mounting, therefore, damaging the tension cord</p> <p>Drive blocked</p> <p>Ingress of foreign matter during operation</p> <p>Drive under-dimensioned, insufficient number of belts</p>	<p>Apply unforced mounting according to instructions</p> <p>Remove the cause</p> <p>Fit a guard</p> <p>Check drive conditions and re-machine</p>
Excessive wear on belt edges 	<p>Tension too low</p> <p>Starting torque too high</p> <p>Worn pulley grooves</p> <p>Wrong belt/groove section</p> <p>Wrong groove angle</p> <p>Sheaves do not align</p> <p>Small pulley diameter below recommended minimum</p> <p>Belt slips or catches on protruding parts</p>	<p>Check tension and re-tension</p> <p>Check drive conditions and re-machine</p> <p>Replace sheaves</p> <p>Adjust belt and groove sections</p> <p>Re-machine or replace sheaves</p> <p>Align sheaves</p> <p>Increase pulley diameter (new drive design), use Optibelt special execution or Super X-POWER M=S (SUPER TX)</p> <p>Remove protrusions or realign drive</p>
Cuts and splits at the base of the belt (brittleness)  	<p>Outside idler pulley in use the arrangement and diameter of which does not comply with our recommendations</p> <p>Abnormal belt slip</p> <p>Pulley diameter too small</p> <p>Ambient temperature too high</p> <p>Ambient temperature too low</p> <p>Chemical influences</p>	<p>Note Optibelt recommendations e.g. increase diameter. Increase size of existing idler. Use RED POWER or Optibelt special execution.</p> <p>Re-tension drive according to installation instructions. Check drive conditions and redesign, if necessary. Redesign using minimum pulley diameters.</p> <p>Use Optibelt special execution or Super X-POWER M=S (SUPER TX)</p> <p>Ensure good ventilation, protect belts from direct heat. Use XHR special execution (extra heat resistant) or use Super X-POWER M=S (SUPER TX) or belt with aramid cord construction.</p> <p>Warm area surrounding drive and belt before use. Use Optibelt special execution.</p> <p>Protect drive from contamination. Use Optibelt special execution.</p>

V-BELTS
SERVICE SOLUTIONS

If further problems arise, contact our engineers from the applications engineering dept. Detailed technical data is necessary for specific assistance.





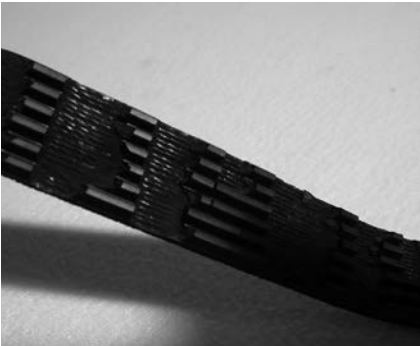
PROBLEM	POSSIBLE CAUSES	SOLUTION
Belt swelling or softening 	Contamination by oil, grease, chemicals	Protect drive from contamination. Use raw edge Super X-POWER M=S (SUPER TX) or special execution "05". Clean pulley grooves with petrol or alcohol before using new belts!
Belts turn over 	Wrong belt/groove section Sheaves do not align Pulley grooves severely worn Tension too low Excessive vibrations Foreign matter in pulley grooves	Realign belt and groove section correctly. Realign sheaves. Replace sheaves. Re-tension sheaves. Use inside idler pulley on drive slack side or Optibelt KB kraftbands. Remove foreign matter and protect drive.
Severe belt vibration	Drive overloaded (under-dimensioned) Centre distance far larger than recommendations High shock loads Belt tension too low Unbalanced V-grooved sheaves	Check drive conditions and redesign. Reduce shaft center distance; use inside idler pulley on the drive slack side. Use Optibelt kraftbands. Use inside idler pulley. Use Optibelt special execution. Correct tension. Balance sheaves
Belts cannot be re-tensioned 	Allowance of center distance too low Excessive belt stretching, due to under-dimensioned (and overloaded) drive Wrong belt length	Modify drive to allow more take-up according to Optibelt recommendations. Recalculate drive design and modify. Use shorter belt length.
Excessive running noise	Poor drive alignment Belt tension too low Drive overload	Realign sheaves. Check tension and re-tension. Check drive conditions and redesign, if necessary.
Uneven belt stretching 	Worn or badly machined pulley grooves Used belts mixed with new belts on the same drive Belts from different manufacturers used on the same drive	Replace sheaves. Fit completely new set of belts. Use belts in sets from one manufacturer only — S=C PLUS, Super X-POWER, M=S (SUPER TX), RED POWER

If further problems arise, contact our engineers from the applications engineering dept. Detailed technical data is necessary for specific assistance.



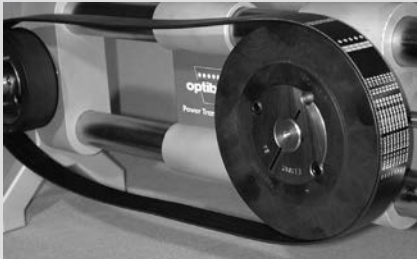

RIBBED BELTS

SERVICE SOLUTIONS

PROBLEM	POSSIBLE CAUSES	SOLUTION
Unusual wear and tear of ribs 	<ul style="list-style-type: none"> Tension too low Ingress of foreign matter during operation Sheaves do not align Sheaves defective Wrong rib/pulley section 	<ul style="list-style-type: none"> Correct tension Fit a guard Align sheaves Re-machine or replace sheaves Align rib and pulley section
Break of ribbed belts after short running time (belts torn) 	<ul style="list-style-type: none"> Ribbed belt slips or catches on protruding parts Drive blocked Drive overloaded Effects of oil, grease, chemicals 	<ul style="list-style-type: none"> Remove protruding parts; realign drive Remove cause Check drive conditions and redesign Protect drive from environmental influences
Cuts and splits in the ribs (brittleness) 	<ul style="list-style-type: none"> Effects of an outside idler pulley; the arrangement and diameter of which does not comply with our recommendations Pulley diameter too small Ambient temperature too high Ambient temperature too low Abnormal belt slip Chemical influences 	<ul style="list-style-type: none"> Comply with Optibelt recommendations, e.g. increase diameter; use an inside idler pulley on the drive slack side Ensure minimum pulley diameter Remove source of heat, protect belts from direct heat. Improve air ventilation. Warm up ribbed belt before use Re-tension drive according to installation instructions. Check drive conditions and redesign, if necessary. Protect drive from contamination

If further problems arise, contact our engineers from the applications engineering dept. Detailed technical data is necessary for specific assistance.





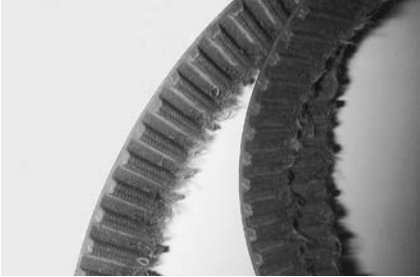

PROBLEM	POSSIBLE CAUSES	SOLUTION
<p>Severe Vibrations</p>	<p>Drive under-dimensioned</p> <p>Shaft center distance far bigger than recommendations</p> <p>High shock loads</p> <p>Tension too low</p> <p>V-grooved sheaves not balanced</p>	<p>Check drive conditions and modify, if necessary.</p> <p>Reduce shaft center distance. Install idler pulley on drive slack side.</p> <p>Use idler pulley</p> <p>Correct tension</p> <p>Balance sheaves</p>
<p>Cannot be re-tensioned</p> 	<p>Adjustment allowance of shaft center distance too small</p> <p>Excessive stretching caused by under-dimensioned drive</p> <p>Incorrect ribbed belt length</p>	<p>Correct range of adjustment according to Optibelt recommendations</p> <p>Recalculate drive design and modify</p> <p>Install shorter ribbed belt length</p>
<p>Excessive running noise</p>	<p>Sheaves do not align</p> <p>Tension too low or too high</p> <p>Drive overloaded</p>	<p>Align sheaves</p> <p>Check tension</p> <p>Check drive conditions and redesign</p>
<p>Swelling and softening</p> 	<p>Effects of oil, fat, chemicals</p>	<p>Protect drive from foreign matter. Clean sheaves with petrol or alcohol before using new ribbed belts.</p>

If further problems arise, contact our engineers from the applications engineering dept. Detailed technical data is necessary for specific assistance.





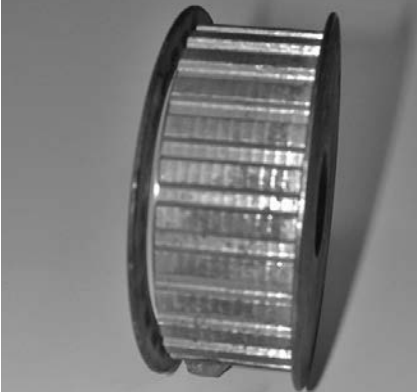
TIMING BELTS

SERVICE SOLUTIONS

PROBLEM	POSSIBLE CAUSES	SOLUTION
Belt teeth shearing off (belt break) 	Belt kinked before or during installation Overloading Number of engaging teeth too small Foreign matter in the drive Tension too high	Do not kink belts Install wider belts or larger pulleys Increase diameter of small pulley or choose wider belts Remove foreign matter and protect drive Correct tension
Severe wear on the tooth edge in use 	Incorrect belt tension Overloading, drive under-dimensioned Tooth pitch selection error Defective timing belt pulleys	Correct tension Install wider belts with higher power transmission capability/increase size of timing belt or pulley Check section and replace, if necessary Replace timing belt pulleys
Unusual wear of sides of belts 	Incorrect shaft parallelism Defective flanged pulleys Alteration of shaft center distance	Realign shafts Replace flanged pulleys Reinforce bearings and/or casing
Excessive lateral run-off 	Incorrect shaft parallelism Timing belt pulleys not aligned Shock load pressure when belt tension is too high	Realign shafts Realign pulleys Reduce belt tension

If further problems arise, contact our engineers from the applications engineering dept. Detailed technical data is necessary for specific assistance.





PROBLEM	POSSIBLE CAUSES	SOLUTION
<p>Excessive wear at the bottom of the notches</p> 	<p>Belt tension too high</p> <p>Drive under-dimensioned</p> <p>Defective timing belt pulleys</p>	<p>Reduce tension</p> <p>Increase size of timing belts and/or pulleys</p> <p>Replace timing belt pulleys</p>
<p>Tears in longitudinal direction</p> 	<p>Defective flanged pulleys</p> <p>Belt runs up to the flanged pulley</p> <p>Effects of foreign matter during operation</p> <p>Cutting error during cutting of sleeve</p>	<p>Replace flanged pulleys</p> <p>Realign pulleys/shafts; correct tension</p> <p>Remove foreign matter; fit protective guard</p> <p>Check cutting adjustment and sleeve/belt guide setting</p>
<p>Flanged pulleys coming off</p> 	<p>Timing belt pulleys not aligned</p> <p>Very strong lateral pressure of timing belt</p> <p>Incorrect installation of flanged pulleys</p>	<p>Realign timing belt pulleys</p> <p>Realign shafts</p> <p>Install flanged pulleys correctly</p>
<p>Excessive running noise</p>	<p>Incorrect shaft alignment</p> <p>Belt tension too high</p> <p>Pulley diameters too small</p> <p>Overloading of timing belt</p> <p>Belt width too large at high speed</p>	<p>Realign shafts</p> <p>Reduce tension</p> <p>Increase diameter of pulleys</p> <p>Increase width of belt or tooth engagement</p> <p>Reduce width of belt by selecting larger belt sections</p>

If further problems arise, contact our engineers from the applications engineering dept. Detailed technical data is necessary for specific assistance.

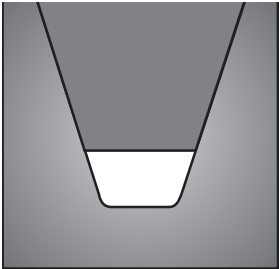


TIMING BELTS

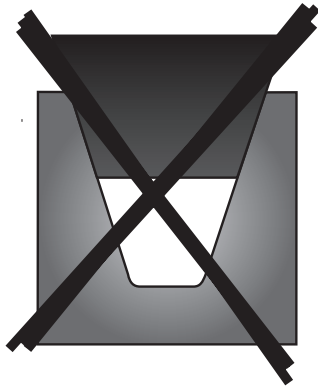
SERVICE SOLUTIONS

PROBLEM	POSSIBLE CAUSES	SOLUTION
Abnormal wear of timing belt pulleys	Unsuitable working material Incorrect engagement of teeth Insufficient hardness of surface	Use harder working materials Replace timing belt pulleys Use harder material or carry out surface hardening
Brittleness of top surface 	Ambient temperature higher than +85° C Incompatible radiation	Choose extra heat resistant belt Protect or install suitable belt
Tears in the top surface 	Ambient temperature below -30° C	Install cold resistant belt
Softening of the top surface	Effects of incompatible substances and/or chemicals	Protect or install suitable belt

If further problems arise, contact our engineers from the applications engineering dept. Detailed technical data is necessary for specific assistance.



Correct belt arrangement in the V-grooved pulley



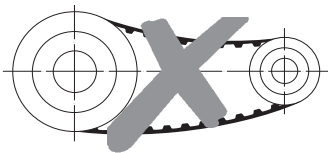
Belt too big/
pulley groove too small



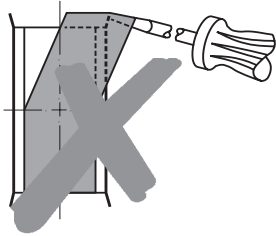
Belt section too small/
pulley section too big



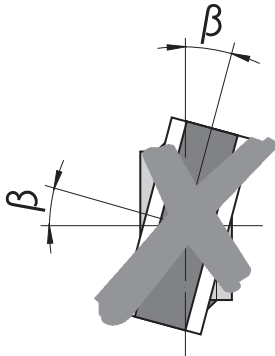
Worn V-grooved pulley



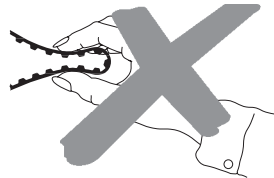
Tension too low



Installation by force



Vertical angle deviation
of the shafts



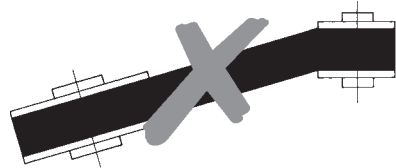
Kinked belt



Aligned sheaves on axially parallel shafts



Axial misalignment of sheaves



Horizontal angle deviation
of the shafts

Optibelt is not responsible for products used for purposes or applications in which they were not designed or manufactured for. This information is contained in Optibelt's General Terms of Business.

WARNING: All of the above illustrations can dramatically reduce the life of the belt used in that application. If you need assistance with drive alignment, belt tensioning, or other related issues, please contact an Optibelt customer care representative.



CONVERSION TABLE

REFERENCE

BELT SIZES

SK WEDGE BELTS TO BS 3790/DIN 7753

SECTION	CROSS SECTION b x h =	SECTION BASE WIDTH b _v =	DATUM WIDTH b _d	BELT LENGTH				RECOMMENDED MINIMUM PULLEY DIAMETER (MM)	BELT WEIGHT (= KG/M)	
				DATUM LENGTH	OUTSIDE LENGTH L _o	DATUM LENGTH L _d	INSIDE LENGTH L _i			
SPZ	9.7 x 8	4.2	8.5	DATUM LENGTH L _d	L _o = L _d + 13 L _o = L _i + 51	—	L _i = L _d - 38 L _i = L _o - 51	DATUM DIA. D _d	63	0.074
SPA	12.7 x 10	5.8	11		L _o = L _d + 18 L _o = L _i + 63	—	L _i = L _d - 45 L _i = L _o - 63		90	0.123
SPB	16.3 x 13	7.3	7.3		L _o = L _d + 22 L _o = L _i + 82	—	L _i = L _d - 60 L _i = L _o - 82		140	0.195
SPC	22 x 18	9.6	9.6		L _o = L _d + 30 L _o = L _i + 113	—	L _i = L _d - 83 L _i = L _o - 113		224	0.377

SK WEDGE BELTS TO US STANDARD RMA/MPTA

3V/9N	9 x 8	4.2	—	OUTSIDE LENGTH L _a	—	L _d = L _a - 4*	L _i = L _a - 42	OUTSIDE DIA. D _a	63	0.074
5V/15N	15 x 13	7.3	—		—	L _d = L _a - 11*	L _i = L _a - 71		140	0.195
8V/25N	25 x 23	9.6	—		—	—	L _i = L _a - 120		335	0.575

* The conversion factor L_d to L_o is used when a section according to DIN 7753 Part 1 is to be replaced by the corresponding section according to RMA/MPTA.

SUPER X-POWER M=S WEDGE BELTS (RAW EDGE, MOLDED COGGED) TO BS 3790/DIN 775

XPZ	9.7 x 8	4.2	8.5	DATUM LENGTH L _d	L _o = L _d + 13 L _o = L _i + 51	—	L _i = L _d - 38 L _i = L _o - 51	DATUM DIA. D _d	56	0.065
XPA	12.7 x 10	5.8	11		L _o = L _d + 18 L _o = L _i + 63	—	L _i = L _d - 45 L _i = L _o - 63		71	0.111
XPB	16.3 x 13	7.3	14		L _o = L _d + 22 L _o = L _i + 82	—	L _i = L _d - 60 L _i = L _o - 82		112	0.183
XPC	22 x 18	9.6	19		L _o = L _d + 30 L _o = L _i + 113	—	L _i = L _d - 83 L _i = L _o - 113		180	0.340

SUPER X-POWER M=S WEDGE BELTS (RAW EDGE, MOLDED COGGED) TO BS 3790/DIN 7753

3VX/9NX	9 x 8	4.2	—	OUTSIDE LENGTH L _a	—	L _d = L _a - 4*	L _i = L _a - 42	OUTSIDE DIA. D _d	56	0.065
5VX/15NX	15 x 13	7.3	—		—	L _d = L _a - 11*	L _i = L _a - 71		112	0.183

* The conversion factor L_d to L_o is used when a section to BS 3790 or DIN 7753 Part 1 is to be replaced by the corresponding section to RMA/MPTA.

SUPER TX M=S V-BELTS - TO RAW EDGE, MOLDED COGGED

ZX/X10	10 x 6	5.9	8.5	DATUM LENGTH L _d	L _o = L _i + 38 L _o = L _d + 16	—	L _i = L _d - 22 L _i = L _o - 38	DATUM DIA. D _d	40	0.062
AX/X13	13 x 8	7.5	11		L _o = L _i + 50 L _o = L _d + 20	—	L _i = L _d - 30 L _i = L _o - 50		63	0.099
BX/X17	17 x 11	9.4	14		L _o = L _i + 69 L _o = L _d + 29	—	L _i = L _d - 40 L _i = L _o - 69		90	0.165
CX/X22	22 x 14	12.3	19		L _o = L _i + 88 L _o = L _d + 30	—	L _i = L _d - 58 L _i = L _o - 88		140	0.276



VB CLASSICAL V-BELTS TO BS 3790/DIN 2215

SECTION	CROSS SECTION b x h =	SECTION BASE WIDTH b _o =	DATUM WIDTH b _d	BELT LENGTH				RECOMMENDED MINIMUM PULLEY DIAMETER (MM)	BELT WEIGHT (= KG/M)	
				DATUM LENGTH	OUTSIDE LENGTH L _o	DATUM LENGTH L _d	INSIDE LENGTH L _i			
5	5 x 3	2.8	4.2	DATUM LENGTH L _d	L _o = L _i + 19 L _o = L _d + 8	L _d = L _i + 11 L _d = L _o - 8	—	DATUM DIA. D _d	20	0.018
Y/6	6 x 4	3.3	5.3		L _o = L _i + 25 L _o = L _d + 10	L _d = L _i + 15 L _d = L _o - 10	—		28	0.026
8	8 x 5	4.5	6.7		L _o = L _i + 31 L _o = L _d + 12	L _d = L _i + 19 L _d = L _o - 12	—		40	0.042
Z/10	10 x 6	5.9	8.5		L _o = L _i + 38 L _o = L _d + 16	L _d = L _i + 22 L _d = L _o - 16	—		50	0.064
A/13	13 x 8	7.5	11		L _o = L _i + 50 L _o = L _d + 20	L _d = L _i + 30 L _d = L _o - 20	—		71	0.109
B/17	17 x 11	9.4	14		L _o = L _i + 69 L _o = L _d + 29	L _d = L _i + 40 L _d = L _o - 29	—		112	0.196
20	20 x 12.5	11.4	17		L _o = L _i + 79 L _o = L _d + 31	L _d = L _i + 50 L _d = L _o - 31	—		160	0.266
C/22	22 x 14	12.3	19		L _o = L _i + 88 L _o = L _d + 30	L _d = L _i + 58 L _d = L _o - 30	—		180	0.324
25	25 x 16	14	21		L _o = L _i + 100 L _o = L _d + 39	L _d = L _i + 60 L _d = L _o - 39	—		250	0.420
D/32	32 x 20	18.2	27		L _o = L _i + 126 L _o = L _d + 51	L _d = L _i + 75 L _d = L _o - 51	—		355	0.668
E/40	40 x 25	22.8	32		L _o = L _i + 157 L _o = L _d + 77	L _d = L _i + 80 L _d = L _o - 77	—		500	0.958

DK DOUBLE SECTION V-BELTS TO DIN 7722/ISO 5289

SECTION	CROSS SECTION b x h =	SECTION BASE WIDTH b _o =	NOMINAL LENGTH	BELT LENGTH	RECOMMENDED MINIMUM PULLEY DIAMETER (MM)	BELT WEIGHT (= KG/M)	
AA/HAA	13 X 10	—	EFFECTIVE LENGTH	Effective length = center length — 4	OUTSIDE DIAMETER D _a	80	0.150
BB/HBB	17 X 13	—		Effective length = center length — 8		125	0.250
CC/HCC	22 X 17	—		Effective length = center length + 3		224	0.440
DD/HDD	32 X 25	—		Effective length = center length		355	0.935

DK DOUBLE SECTION V-BELTS TO SPECIAL SECTIONS

22 x 22	22 x 22	—	EFFECTIVE LENGTH	Effective length = center length	OUTSIDE DIAMETER D _a	280	0.511
25 x 22	25 x 22	—		Effective length = center length		280	0.625



CONVERSION TABLE

REFERENCE

BELT SIZES

KB KRAFTBAND WEDGE TO ISO 5290/USA STANDARD RMA/MPTA

SECTION	HEIGHT H=	BOTTOM WIDTH B _o = OF THE SINGLE BELTS	BELT LENGTH				RECOMMENDED MINIMUM PULLEY DIAMETER (mm)		RIB WEIGHT (=kg/m)
			NOMINAL WIDTH	OUTSIDE LENGTH L _o	DATUM LENGTH L _d	INSIDE LENGTH L _i			
3V/9J	9.9	4.2	OUTSIDE LENGTH L _a	—	—	L _i = L _o - 42	OUTSIDE DIAMETER D _a	67	0.122
5V/15J	15.1	7.3		—	—	L _i = L _o - 71		180	0.252
8V/25J	25.5	9.6		—	—	L _i = L _o - 120		315	0.693

KB KRAFTBAND WEDGE BELTS

SECTION	HEIGHT H=	BOTTOM WIDTH B _o = OF THE SINGLE BELTS	DATUM LENGTH L _d	L _o = L _d + 13	—	—	DATUM DIAMETER D _d	80	0.120
SPZ	10.5	5.4		L _o = L _d + 18	—	—		112	0.166
SPA	12.5	7		L _o = L _d + 22	—	—		160	0.261
SPB	15.6	8.8		L _o = L _d + 24	—	—		250	0.555
SPC	22.6	9.3							

DATUM TO OUTSIDE LENGTH CONVERSIONS

SPZ CONVERSION: OUTSIDE LENGTH = DATUM LENGTH +13mm

SPB CONVERSION: OUTSIDE LENGTH = DATUM LENGTH +22mm

SPA CONVERSION: OUTSIDE LENGTH = DATUM LENGTH +18mm

SPC CONVERSION: OUTSIDE LENGTH = DATUM LENGTH +30mm

KB KRAFTBAND V-BELTS

SECTION	HEIGHT H=	BOTTOM WIDTH B _o = OF THE SINGLE BELTS	DATUM LENGTH L _d	L _o = L _i + 36	L _d = L _i + 30	—	DATUM DIAMETER D _d	80	0.163
A	9.9	7.5		L _o = L _i + 62	L _d = L _i + 40	—		125	0.266
B	13	9.4		L _o = L _i + 75	L _d = L _i + 58	—		200	0.447
C	16.2	12.3		L _o = L _i + 111	L _d = L _i + 75	—		355	0.798
D	22.4	18.2							

KB KRAFTBAND TO USA STANDARD ASAE S 211

SECTION	HEIGHT H=	BOTTOM WIDTH B _o = OF THE SINGLE BELTS	BELT LENGTH				RECOMMENDED MINIMUM PULLEY DIAMETER (mm)		RIB WEIGHT (=kg/m)
			OUTSIDE LENGTH	OUTSIDE LENGTH L _o	DATUM LENGTH L _d	INSIDE LENGTH L _i			
HA	9.9	7.5	OUTSIDE LENGTH L _a	—	—	L _i = L _o - 36	OUTSIDE DIAMETER D _a	80	0.163
HB	13	9.4		—	—	L _i = L _o - 62		125	0.266
HC	16.2	12.3		—	—	L _i = L _o - 75		200	0.447
HD	22.4	18.2		—	—	L _i = L _o - 111		355	0.798

The width of the kraftband (banded belt) is dependent upon the number of ribs.

KB KRAFTBAND TO USA STANDARD ASAE S 211

SECTION	CROSS SECTION b x h =	SECTION BASE WIDTH b _o =	DATUM WIDTH b _d	BELT LENGTH				RECOMMENDED MINIMUM PULLEY DIAMETER (MM)	BELT WEIGHT (= KG/M)
				NOMINAL LENGTH	OUTSIDE LENGTH L _o	DATUM LENGTH L _o	INSIDE LENGTH L _i		
9.5	10 x 8	4.9	8.5	OUTSIDE LENGTH L _a	—	L _d = L _o - 13	L _i = L _o - 51	SEE OEM SPECS.	0.070
12.5	13 x 10	5.8	11		—	L _d = L _o - 18	L _i = L _o - 63		0.118

MARATHON 1/MARATHON 2 AUTOMOTIVE V-BELTS TO RAW EDGE, MOLDED COGGED

SECTION	CROSS SECTION b x h =	SECTION BASE WIDTH b _o =	DATUM WIDTH b _d	OUTSIDE LENGTH L _a	—	L _d = L _o - 13	L _i = L _o - 51	SEE OEM SPECS.	0.076
AVX 10	10 x 8	4.9	8.5		—	L _d = L _o - 18	L _i = L _o - 63		0.118
AVX 13	13 x 10	5.8	11						

CONVERSIONS REFERENCE

CONVERSION TABLE

WEIGHTS AND MEASURES



STANDARD FRACTION CONVERSION TO DECIMALS & MILLIMETERS

FRACTIONS INCHES	DECIMALS	MM	FRACTIONS INCHES	DECIMALS	MM
17/64	0.265625	6.747	33/64	0.515625	13.097
9/32	0.28125	7.144	17/32	0.53125	13.494
19/64	0.296875	7.541	35/64	0.546875	13.891
5/16	0.3125	7.938	9/16	0.5625	14.288
21/64	0.328125	8.334	37/64	0.578125	14.684
11/32	0.34375	8.731	19/32	0.59375	15.081
23/64	0.359375	9.128	39/64	0.609375	15.478
3/8	0.375	9.525	5/8	0.625	15.875
25/64	0.390625	9.922	41/64	0.640625	16.272
13/32	0.40625	10.319	21/32	0.65625	16.669
27/64	0.421875	10.716	43/64	0.671875	17.066
7/16	0.4375	11.113	11/16	0.6875	17.463
29/64	0.453125	11.509	45/64	0.703125	17.859
15/32	0.46875	11.906	23/32	0.71875	18.256
31/64	0.484375	12.303	47/64	0.734375	18.653
1/2	0.5	12.7	3/4	0.75	19.05

WEIGHT

METRIC TO US		US TO METRIC	
METRIC	US	US	METRIC
1 G	981 DYNES	1 DYNE	0.0010193 G
1 G	0.035274 OZ.	1 OZ.	28.3495 G
1 KG	35.274 OZ.	1 OZ.	0.0283495 KG
1 KG	2.20462 LB.	1 LB.	0.453592 KG

KEY: G = GRAMS KG = KILOGRAMS OZ. = OUNCE LB. = POUND

LENGTHS

METRIC TO US		US TO METRIC	
METRIC	US	US	METRIC
1 MM	0.39370 IN.	1 IN.	25.4 MM
1 M	39.37 IN.	1 IN.	0.0254 M
1 M	3.2808 FT.	1 FT.	0.3048 M
1 M	1.09381 YARDS	1 YARD	0.9144 M

KEY: MM = MILLIMETERS M = METERS IN. = INCHES FT. = FEET

All weights listed are approximated.

Concerning product liability and delivery, consult Optibelt's general terms and conditions.

© 2013 Optibelt Corporation, USA

OCSC1213



V-BELT SECTIONS

REFERENCE

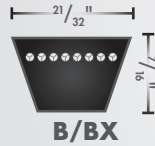
DIMENSIONS

V-BELTS/COGGED, CLASSIC

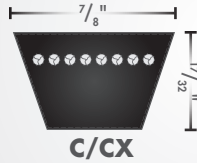
INCHES (IN)



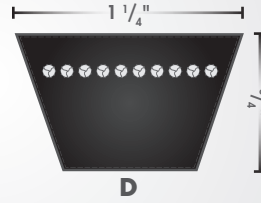
A/AX



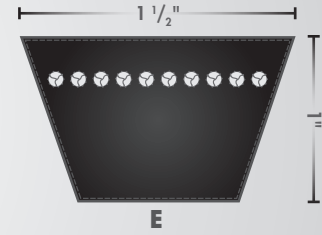
B/BX



C/CX



D



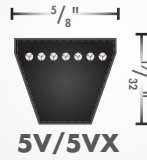
E

V-BELTS/COGGED, RMA/MPTA

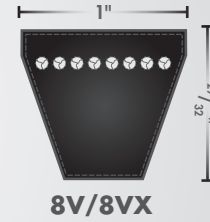
INCHES (IN)



3V/3VX



5V/5VX



8V/8VX

V-BELTS/COGGED, METRIC

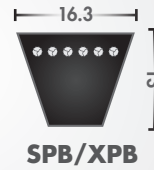
MILLIMETERS (MM)



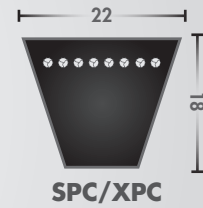
SPZ/XPZ



SPA/XPA



SPB/XPB



SPC/XPC

V-BELTS, CLASSICAL METRIC

MILLIMETERS (MM)



5



6



8



10



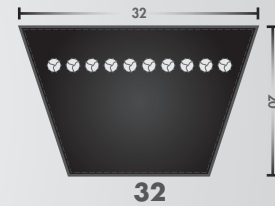
13



17

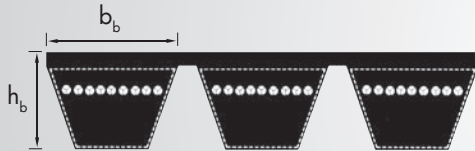


22



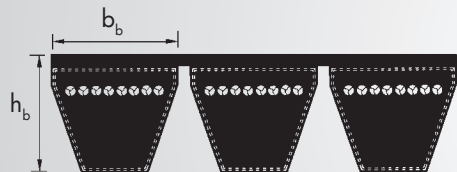
32

BANDED/COGGED, CLASSIC



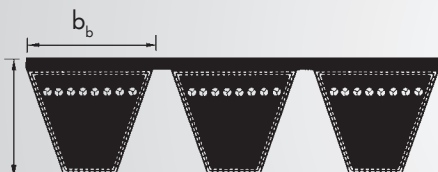
SECTION	B/BX		C/CX		D	
	INCH	MM	INCH	MM	INCH	MM
$b_b \approx$	$21/32$	17.0	$7/8$	22.0	$1 1/4$	32.0
$h_b \approx$	$1/2$	13.0	$41/64$	16.2	$7/8$	22.4

BANDED/COGGED, RMA/MPTA



SECTION	3V/3VX		5V/5VX		8V	
	INCH	MM	INCH	MM	INCH	MM
$b_b \approx$	$3/8$	9.0	$5/8$	15.0	1	25,0
$h_b \approx$	$25/64$	9.9	$5/8$	15.1	$1 1/64$	25,5

BANDED/COGGED, METRIC

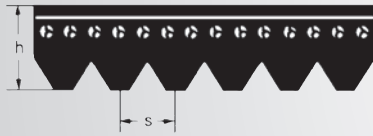


SECTION	SPZ	SPA	SPB	SPC
	MM	MM	MM	MM
$b_b \approx$	9.7	12.7	16.5	22.0
$h_b \approx$	10.5	12.5	15.6	22.6

SECTIONS
REFERENCE

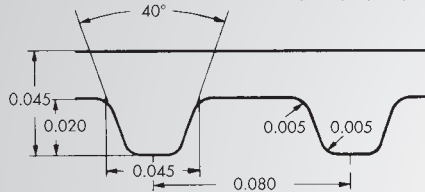


RIBBED BELTS

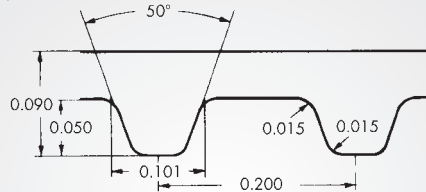


SECTION	H/PH		J/PJ		K/PK		L/PL		M/PM	
	INCH	MM	INCH	MM	INCH	MM	INCH	MM	INCH	MM
s	0.063	1.60	0.092	2.34	0.140	3.56	0.185	4.70	0.370	9.40
h	0.10	2.50	0.14	3.50	0.18	4.60	0.28	7.00	0.51	13.00

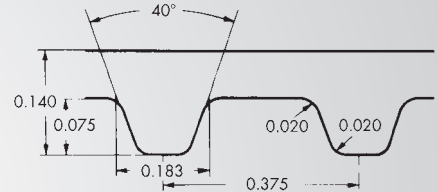
TIMING BELTS MXL, XL, L, H, XH, XXH



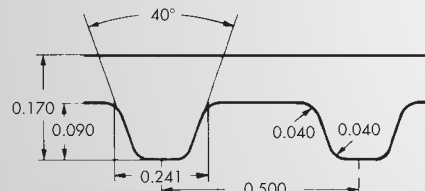
MXL .080 IN. PITCH



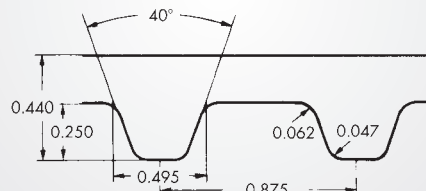
XL .200 IN. PITCH



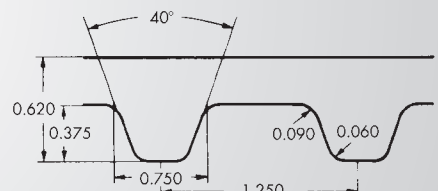
L .375 IN. PITCH



H .500 IN. PITCH

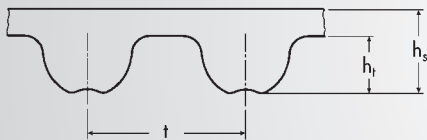


XH .875 IN. PITCH



XXH 1.250 IN. PITCH

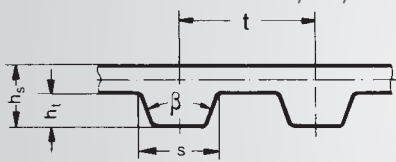
TIMING BELTS 2M, 3M, 5M, 8M, 14M



SECTION	(MM)		
	t	h _t	h _s
2M	2	0.07	1.5
3M	3	1.1	2.3
5M	5	1.9	3.4

SECTION	(MM)		
	t	h _t	h _s
8M	8	3.2	5.4
14M	14	5.6	9.5

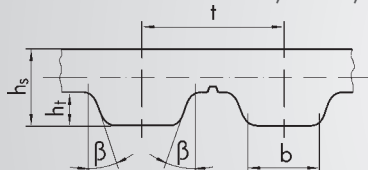
TIMING BELTS T2.5, T5, T10, T20



SAMPLE PART NO.
10 T10 / 700
— LENGTH (MM)
— PITCH 10 MM
— WIDTH (MM)

SECTION	(MM)				
	t	h _t	h _s	s	β
T2.5	2.5	0.70	1.30	1.50	40°
T5	5.0	1.20	2.20	2.65	40°
T10	10.0	2.50	4.50	3.50	40°
T20	20.0	5.0	8.0	6.5	40°

TIMING BELTS AT5, AT10, AT20



SAMPLE PART NO.
10 AT5 / 300
— LENGTH (MM)
— PITCH 5 MM
— WIDTH (MM)

SECTION	(MM)				
	t	h _t	h _s	b	β
AT5	5.0	1.20	2.70	2.5	40°
AT10	10.0	2.50	4.50	5.0	40°
AT20	20.0	5.0	8.0	10	40°



PRODUCT SELECTION GUIDE

This table is intended to simplify the selection of Optibelt products according to their specifications.	Temperature resistance from ... to ... [°F]		Oil resistance		Electrically conductive	S=C plus Set Constant ¹⁾ M=S Matched Sets ²⁾	Mining industry approval	Smooth running	Permanent stretch	
	Standard design	Special design XHR	Standard design	Special design					Standard design	Special design
SK / SK KB standard & metric V-belts/ banded	-40 +158	-22 +194	good	excellent	yes	yes ¹⁾	yes	medium/ good	low	very low
RED POWER 3 / KB RED POWER 3 high performance V-belts/ banded	-22 +212		good		yes	yes ¹⁾		good	none	
BLUE POWER / KB BLUE POWER industrial power V-belts/ banded	-22 +212		good		yes			good	none	
SUPER X-POWER / KBX / SUPER TX raw edge, molded cogged V-belts	-22 +194		good		yes	yes ²⁾		good	very low	
SUPER E-POWER	-58 +248		limited		yes			good	very low	
MARATHON 1, MARATHON 2 automotive V-belts	-22 +194		good		yes	yes ²⁾		good	very low	
VB classic V-belts	-40 +158	-22 +194	good	excellent	yes	yes ¹⁾	yes	medium/ good	low	very low
DK double-sided V-belts	-31 +185		good		yes			medium	low	
SUPER VX / VARIO POWER variable speed belts	-22 +194		good		yes			excellent	very low	
RB ribbed belts	-22 +194	-22 +248	good		• PJ PK, PL special construc- tions			excellent	low	

MARATHON 1 & 2 immediate stock may be limited. Contact an Optibelt representative for information.

• after testing

PRODUCT SELECTION GUIDE



Recommended max. belt speed feet/sec. meters/sec.	Efficiency	Behavior under shock loading	Vibration tendency	Synchronous	Recommended max. speed ratio	Suitable for outside idlers		Maintenance	Suggested application usages. (Not all applications listed)
						Standard construction	Special construction		
≤ 138 ≤ 42	up to 97%	good	low	no	up to 1 : 10	limited	good	low	Compressors, mixers, rotary print machines, extruders, screw compressors, weaving machines, axial fans, rotary pumps
≤ 180* ≤ 55*	up to 97%	good	low	no	up to 1 : 10	good		maintenance-free (no tension maintenance)	Fans, pumps, mixers, mills, special machines, lathes and drilling machines, grinding machines, agriculture equipment
≤ 180* ≤ 55*	up to 97%	good	low	no		good		low	High power industrial equipment: pumps, mills, crushers, drilling, grinders, agriculture equipment
depends on profile ≤ 180* ≤ 55*	up to 97%	good	low	no	up to 1 : 12	limited	good	SUPER X-POWER: low maintenance	Fans, pumps, mixers, mills, special machines, lathes and drilling machines, grinding machines
≤ 180* ≤ 55*	up to 97%	good	low	no	up to 1 : 12	limited		low	Fans, pumps, mixers, mills, special machines, lathes and drilling machines, grinding machines
≤ 138 ≤ 42	up to 97%	good	low	no	up to 1 : 12	limited	good	low	Motor vehicles, generators, water pumps, fans
≤ 99 ≤ 30	up to 97%	good	low	no	up to 1 : 12	limited	good	low	Pumps, presses, crushers, disk saws, box column drilling machines, plane machines, concrete mixers, compactors, lawn mowers, aerators, baling presses, shredders
≤ 99 ≤ 30	up to 95%	good	low	no	up to 1 : 5	excellent	good	low	Special drives with changing rotary directions, weaving looms, sweepers, harvesters
depends on profile ≤ 138 ≤ 42	up to 95%	good	low	no	up to 1 : 12 for 2 variable speed pulleys	limited		low	Special drives, compact units, snow mobile drives, multi-color offset printing machines, variable speed pulley sets, threshing drum drives, winding machines, lathes
depends on profile ≤ 197 ≤ 60	up to 96%	good	very low	no	up to 1 : 35	good		low	Offset machines, washing machines, milling machines, electric floor polishers, auxiliaries, main spindle drives

* For optimum V-belt performance above 138 ft/s or 42 m/s. please contact our Application Engineering Department.



PRODUCT SELECTION GUIDE

This table is intended to simplify the selection of Optibelt products according to their specifications.	Temperature resistance from ... to ... [°F]		Oil resistance	Electrically conductive	Smooth running	Permanent stretch	
	Standard design	Special design XHR	Standard design				
OMEGA, OMEGA HP + OMEGA HL timing belts	-22 +212	-22 +140	limited	yes•	medium/good	none	
ZR timing belts	-22 +212	-22 +284	limited	yes	medium	none	
ALPHA polyurethane timing belts	-22 +176		good	no	medium	none	
RR round belts	-14 +176		good	no	medium	high	
KK V-beltting	-10 +176		good	no	medium	high	
Optimat OE open-ended V-belts, DIN 2216, punched	-4 +158		limited	no	medium	high	
PKR endless timing belts with patterned top surface	-22 +158		limited	yes	medium	low	
Optimax HF endless high performance flat belts	-20 +230		limited	no	excellent	low	

OPTIMAX HF is a non-stock item in the USA. Contact an Optibelt representative for details.

• after testing



	Recommended max. belt speed feet/sec. meters/sec.	Efficiency	Behaviour with shock loads	Vibration behaviour	Synchronous running	Recommended max. conversion	Suitable for outside idlers		Maintenance	Suggested application usages. (Not all applications listed)
							Standard design	Special design		
	depends on profile ≤ 263 ≤ 80	up to 98%	sensitive	depends on speed	yes	up to 1 : 10	good	good	maintenance-free	Textile machines, spinning machines, weaving machines, printing machines, paper machines, woodworking machines, machine tools, linear units, roller conveyors, ski systems, packaging machines, gate and door openers, lifting devices, mixers, extruders, compressors
	depends on profile ≤ 263 ≤ 80	up to 98%	sensitive	depends on speed	yes	up to 1 : 10	good	good	maintenance-free	Copying machines, household appliances, swivel arm robots, gripper drives, belt grinders, camshaft drives, brush drives, clocks, X-Ray devices, enveloping machines, cameras, plotters, slot machines, main machines and feeders, feed drives, material feed, printers
	depends on profile ≤ 263 ≤ 80	up to 98%	sensitive	depends on speed	yes	up to 1 : 10	good	good	maintenance-free	Cameras, plotters, printers, slot machines, main machines and feeders, feed drives, material feed, test conveyance, flight models
	≤ 66 ≤ 20	up to 95%	good	low	no	up to 1 : 10	good	good	tensioning maintenance required	Special machinery
	≤ 66 ≤ 20	up to 95%	good	low	no	up to 1 : 10	good	good	tensioning maintenance required	Packaging machines, conveyor units, enamelling lines, accumulating conveyor, for difficult installation conditions
	≤ 66 ≤ 20	up to 90%	good	medium	no	up to 1 : 10	limited		tensioning maintenance required	Where installation conditions are difficult
	depends on profile ≤ 263 ≤ 80	up to 95%	good	low	no	up to 1 : 10	limited	good	low	Conveyor units in the wood industry, in concrete factories, in the agricultural industry, ceramic industry, glass industry, at airports, in seaports and inland ports
	≤ 230 ≤ 70	up to 95%	good	very low	no	up to 1 : 12	excellent		low	Water turbines, emergency power generators, saw gates, hackers, screw compressors, roller drives, transmission drives, conical drives, cross cutters, floor cleaners, multi-drives, crushers, close belts, hammer mills



INDUSTRY TERMINOLOGY

ARAMID Lightweight, strong and heat-resistant synthetic aromatic polyamide fibers used in belt cords. (general name for Kevlar -patented by DuPont) See BLUE POWER

BANDED BELT Two or more V-belts that have been joined together by a top layer of material.

CORD A belts internal bands that provide tension and strength. They can be made of different materials depending on the application.

COGGED A V-belt belt that is notched to allow for increased flexibility to fit small diameter sheaves.

COMPOUND A mix of separate elements that are chemically bonded to create a new substance.

DATUM LENGTH Measurement of a belt by the internal cords.

ENDLESS BELT A belt that its cords are a continuous loop and not severed.

GLASS FIBER another term for the material fiberglass.

INSIDE LENGTH Measurement of a belt measured by the bottom portion or the inside of the belt's loop.

MATCHED SET Power transmission industry tolerance standard for matching belt lengths.

MOLDED A term associated with cogged belts (Super X-Power, TX) that states the belts cogs are formed in a mold.

MPTA Mechanical Power Transmission Association

OIL-RESISTANT Refers to a belts capacity to resist oil/grease absorption into the core of the belt.

OPEN ENDED (OE) A belt that its cords have been severed for a linear or spliced application.

OUTSIDE LENGTH Measurement of an endless belt by the external top portion of the belt's loop.

RAW EDGE (EDGED) A belt that does not have a fabric cover along the area that is in contact with the sheave.

RIBBED A belt that features small longitudinal v-grooves.

RMA Rubber Manufacturers Association.

SPLICED An open ended belt that has been joined together.

TRANSVERSE FIBER (CORE) Refers to blended fibers in a belts core rubber material which enables it to flex in one direction (around sheaves) while being extremely resistant to flex in the opposite direction (side to side).

WRAPPED BELT A belt that has a fabric cover.

MEASUREMENT ABBREVIATIONS

L_i Inside Length **L_o** Outside Length **L_p** Pitch Length

L_d Datum Length **L_w** Working Length

D_d Datum Diameter **D_o** Outside Diameter

B_v V-belt Base width **B_d** Cord Width

Optibelt TERMINOLOGY

ALPHA TORQUE Polyurethane timing belts

ALPHA POWER High performance polyurethane timing belts.

BLUE POWER Banded and single V-belts that feature aramid cords for industrial applications.

CP Clamping Plate

DELTA CHAIN Carbon cord timing belt

DK Double sided V-belt product range

FAN POWER Industry engineered timing belt product range

HVAC POWER Industry engineered V-belt product range

KBX Banded X-Power belts product range.

KB Banded V-belt product range.

KK V-belt polyurethane product range

KS Light-duty bushing & sheave product range.

KRAFTBAND (KB) A banded belt.

LD Light-Duty V-belt product range

OE Open-ended & punched V-belt product range

OMEGA Chloroprene timing belts with glass fiber cords that feature Optibelt's exclusive tooth design which fits standard HTD® and RPP® pulleys.

PKR Patterned backed belt product range for specialized applications.

QD Bushing & sheave product range

RB Ribbed belt product range

RED POWER 3 High performance banded and single belt product range that features engineered materials that do not require the belt to be re-tensioned after initial set-up throughout its lifetime.

RR Round polyurethane product range

SK Standard & metric V-belt product range.

S=C PLUS Belt length tolerances which are much closer than industry standards for a matched-set regardless of date manufactured.

SET-CONSTANT Long-form term for "S=C" Plus.

SUPER TX Classical section cogged belts.

VARIO POWER Molded cogged variable speed belt.

TB Taper lock bushing product range

M=S Matched-Set length tolerance for belts are closer than industry standards regardless of date manufactured.

VB Classical section V-belt product range.

WR Wide-angle V-belt product range.

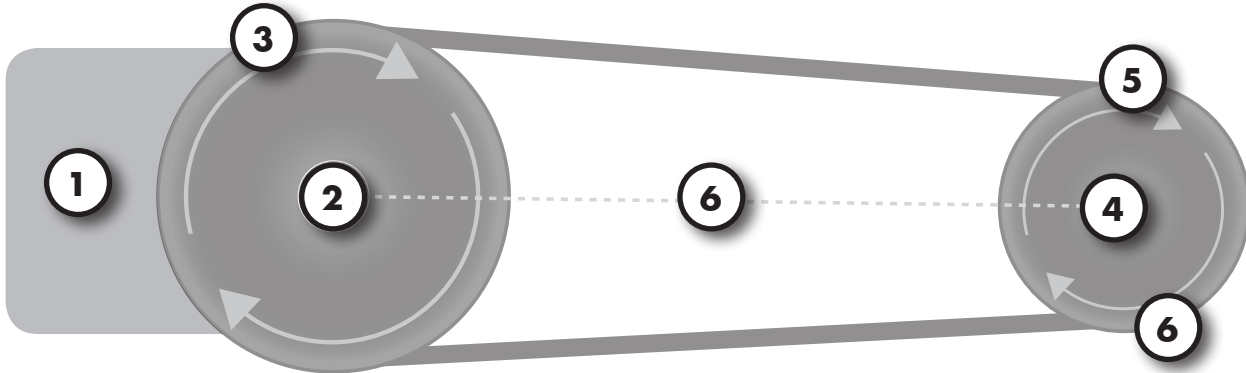
X-Power High performance cogged belt product range.



DRIVE CALCULATION

The following information is needed to perform a drive calculation. Once completed, You can submit the information to an Optibelt representative.

Company: _____ Contact: _____
 Phone Number: _____ Email Address: _____
 Industry & Application: _____



POWERED DRIVE

1 POWER (HP/KW) _____
2 BORE DIA. (IN/MM) _____
 RPM _____
3 PULLEY DIA. (IN/MM) _____

POWER TRANSFER DRIVE

4 BORE DIA. (IN/MM) _____
 RPM _____
5 PULLEY DIA. (IN/MM) _____

6 CENTER DISTANCE (IN/MM) _____
 ADJ. DISTANCE +/- _____

BELT TYPE & SPECIFICATIONS

TIMING BELT

BELT PITCH/SECTION _____
 BELT WIDTH (IN/MM) _____
 BELT LENGTH (IN/MM) _____

V-BELT

BELT PROFILE _____
 BELT LENGTH (IN/MM) _____
 SINGLE or BANDED _____
 # of BELTS (if multiple) _____

